

TOLA RESTAURANT

4601 Washington Ave
Houston, TX 77007

Gensler

711 Louisiana
Suite 300
Houston, Texas 77002
Tel: 713.844.0000
Fax: 713.844.0001

Issue	Date & Issue Description	By	Check
01	05/19/10 PERMIT/CONSTRUCTION		
	08/08/10 CITY COMMENTS		

Seal/Signature



PROJECT #10082
H.M. McLEOD, P.E.
4227 MERRIN ST. SUITE B
HOUSTON, TEXAS 77027
OFFICE: (713) 961-2899
FAX: (713) 961-2891
H. M. McLeod Registration #19749
© 2010 H.M. McLeod, P.E.
This seal was authorized for use on this project. It is not to be used or copied in whole or part in any form or format without prior written consent of H.M. McLeod, P.E.

Project Name
TOLA

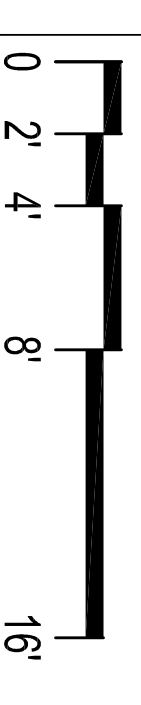
Project Number

CAD File Name

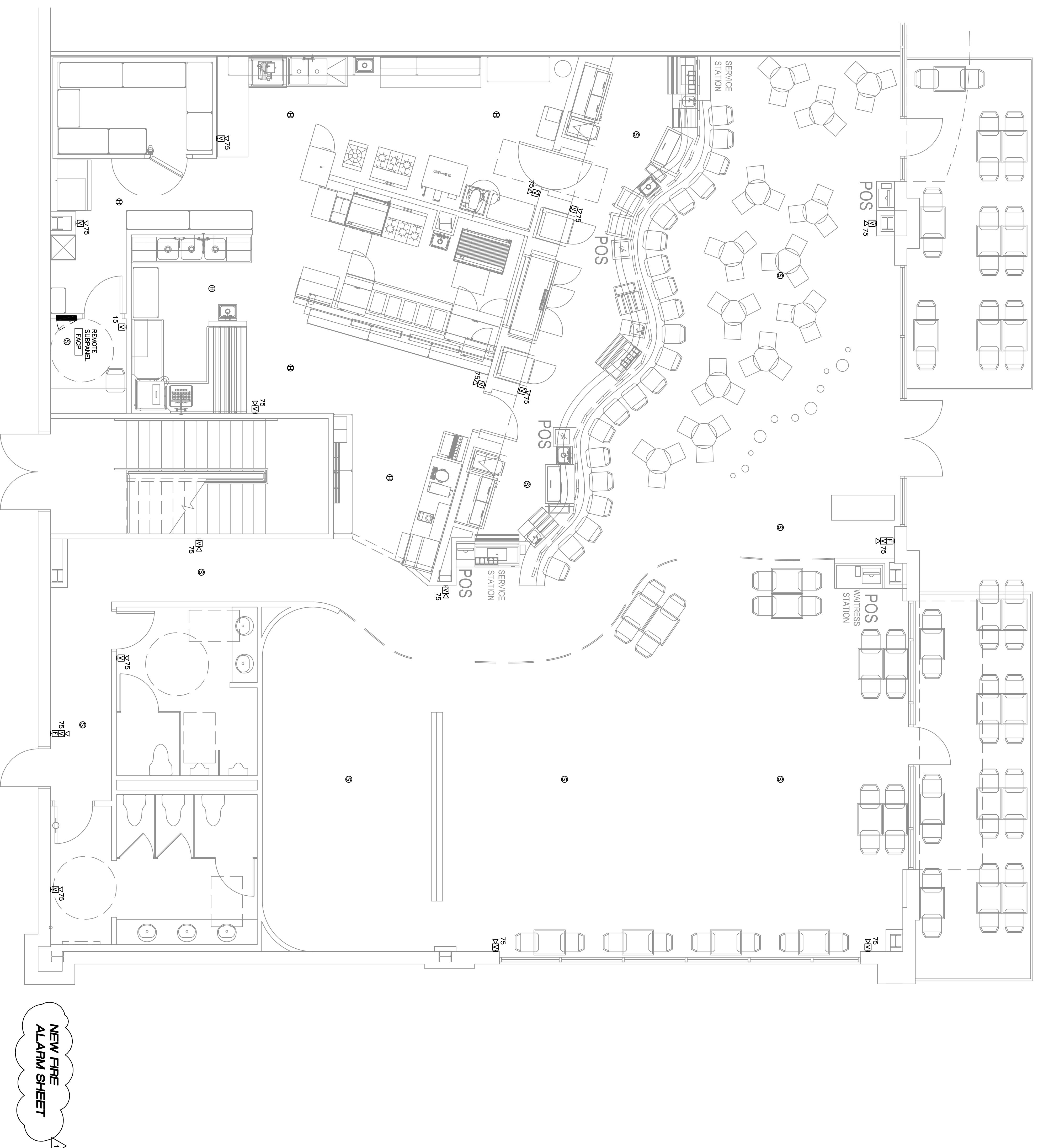
Description

FLOOR PLAN FIRE

Scale



F-1.1



NEW FIRE ALARM REMOTE PANEL IN RESTAURANT FOR NEPA APPROVED FIRE ALARM SYSTEM FOR ENTIRE PROJECT. VERIFY THE AND CONNECTION REQUIRED.

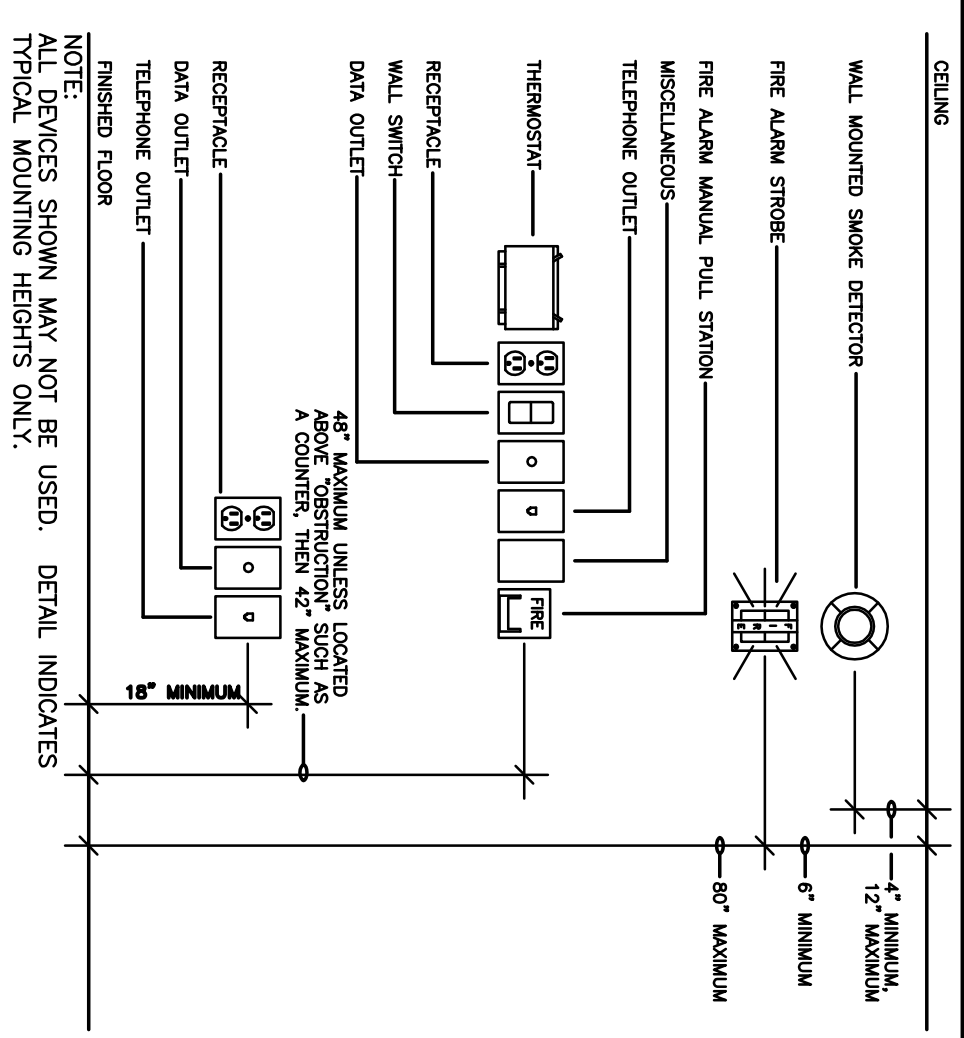
SEQUENCE OF OPERATION

- UPON ACTIVATION OF ANY MANUAL OR AUTOMATIC FIRE ALARM INITIATING DEVICE THE FOLLOWING WILL OCCUR:
 - ANNOUNCE AT THE BUILDING FIRE ALARM PANEL.
 - ANNOUNCE AT THE MAIN FIRE ALARM PANEL.
- OFF SITE ULL APPROVED MONITORING SYSTEM/AGENCY FOR FIRE ALARM SYSTEM WILL BE NOTIFIED AT 1105 / 7 DAYS A WEEK / 240 DAYS A YEAR.
- EMERGENCY EGRESS LIGHTING BACK-UP SYSTEM TO BE ENERGIZED FOR ILLUMINATION OF PUBLIC AREA.
- THE HVAC ARE HANDLING OVER 2000 CFM UNITS SERVING AREA SHALL SHUT DOWN.
- TO INCLUDE:
 - ACTIVATE ALL AUDIBLE SIGNALS THROUGHOUT THE ENTIRE BUILDING/FACILITY
 - ACTIVATE ALL VISUAL SIGNALS THROUGHOUT THE ENTIRE BUILDING/FACILITY

5 FIRE ALARM ORDER OF OPERATION

- NOTE: FIRE ALARM CONTROL PANEL SHALL BE ULL LISTED & PAI SUPERVISED & HAVE EMERGENCY BATTERY POWER BACK-UP.
- ① MANUAL FIRE ALARM PULL STATION MOUNTED AT 45°F± TO CENTER OF BOX EACH PULL STATION SHALL BE LABEL "FIRE ALARM", PULL DOWN.
 - ② 15 CANDLE POWER A.D.A. VISUAL STROBE DEVICE. ULL LISTED FOR FIRE ALARM USE.
 - ③ 75 CANDLE POWER A.D.A. VISUAL STROBE DEVICE. ULL LISTED FOR FIRE ALARM USE.
 - ④ 95 CANDLE POWER A.D.A. VISUAL STROBE DEVICE. ULL LISTED FOR FIRE ALARM USE.
 - ⑤ 95 CANDLE POWER A.D.A. VISUAL STROBE DEVICE. ULL LISTED FOR FIRE ALARM USE.
 - ⑥ A.D.A. STROBE LIGHT, WALL MOUNTED.
 - ⑦ ULL LISTED FOR FIRE ALARM USE. NUMBER INDICATES CANDLE POWER.
 - ⑧ A.D.A. HORN AND STROBE LIGHT COMBINATION, WALL MOUNTED.
 - ⑨ ULL LISTED FOR FIRE ALARM USE. NUMBER INDICATES CANDLE POWER.
 - ⑩ SPEAKERS FOR FIRE ALARM SYSTEM.
 - ⑪ ULL LISTED FOR FIRE ALARM USE.
 - ⑫ ULL LISTED FOR FIRE ALARM USE.
 - ⑬ DUCT MOUNTED SMOKE DETECTORS.
 - ⑭ ULL LISTED FOR FIRE ALARM USE.
 - ⑮ PANEL BOARD (EXCEPT ULL LISTED FOR FIRE ALARM USE).
 - ⑯ SURFACE MOUNTED SMOKE & HEAT DETECTOR.
 - ⑰ ULL LISTED FOR FIRE ALARM USE.
 - ⑱ SURFACE MOUNTED HEAT DETECTORS.
 - ⑲ ULL LISTED FOR FIRE ALARM USE.

4 FIRE ALARM SYMBOLS

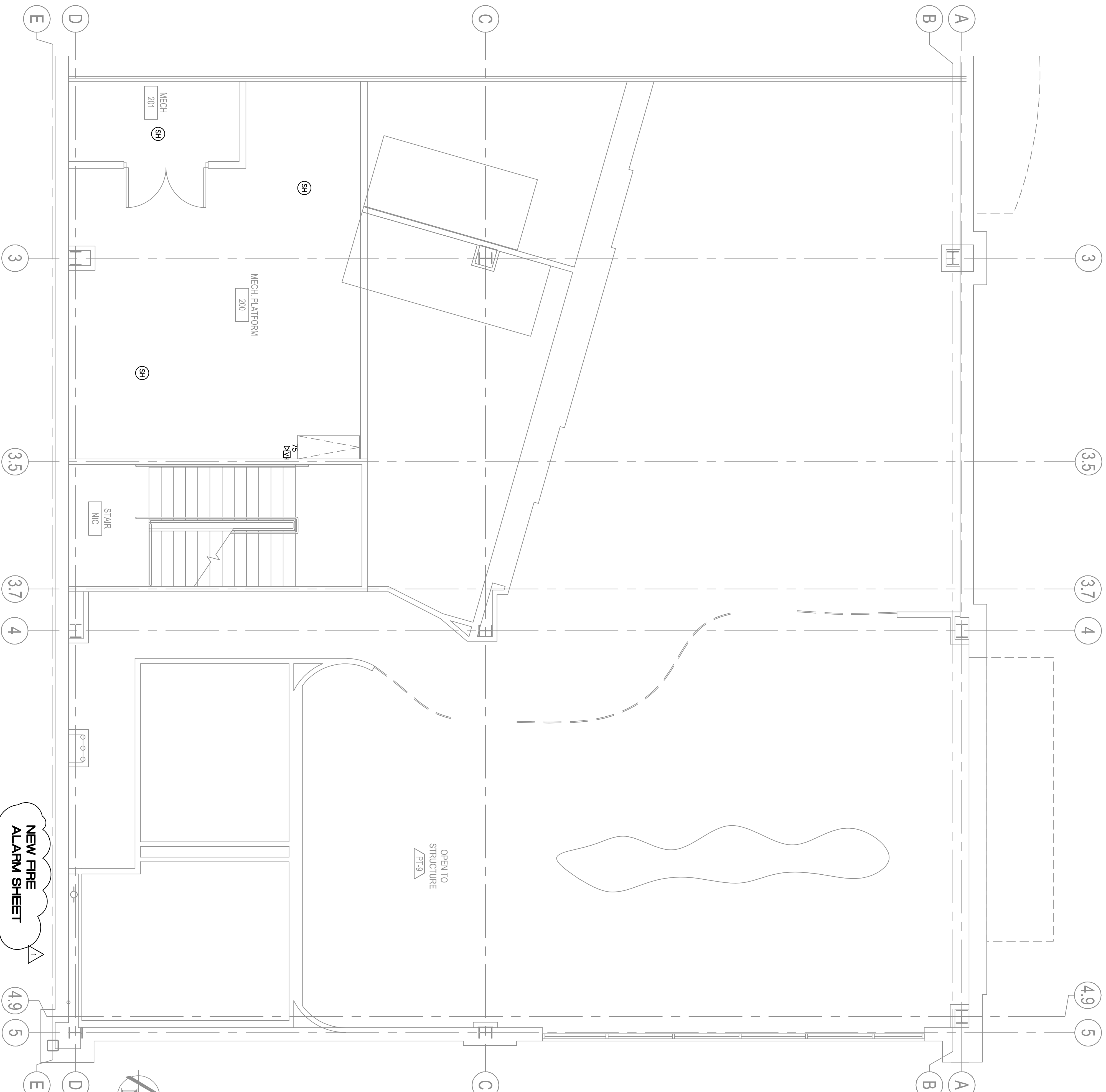


3 ADA DEVICE MOUNTING HEIGHTS

GENERAL NOTES

- MANUAL FIRE ALARM BOXES SHALL BE LOCATED IN ACCORDANCE WITH U.F.C. STANDARD NO. 14-1.1. MANUAL FIRE ALARM PULL STATION MOUNTED AT ADA ULL AND F.M. APPROVED, AND SHALL BE COMPATIBLE WITH OFF SITE MONITORING.
- SMOKE DETECTORS SHALL BE PROVIDED IN ALL COMMON AREAS AND INTERIOR CORRIDORS SERVING AS A MECHANICAL EXHAUST PATH FOR AN EXHAUST FAN 10' OR MORE.
- HORN & STROBE DEVICE: ADA APPROVED LIGHT STROBE ASSEMBLY, 75 CANDELA, ALARM SYSTEM, MINI STROBE, 150 DB SOUND, FINE.
- HORN & STROBE DEVICE: ADA APPROVED LIGHT STROBE ASSEMBLY, 15 CANDELA, ALARM SYSTEM, MINI STROBE, 150 DB SOUND, FINE.
- LIGHT DETECTORS: SMOKE DETECTORS SHALL BE PROVIDED IN ALL COMMON AREAS AND INTERIOR CORRIDORS SERVING AS A MECHANICAL EXHAUST PATH FOR AN EXHAUST FAN 10' OR MORE. WHERE SMOKE DETECTORS CANNOT BE USED,

2 GENERAL NOTES FOR EQUIPMENT



1 MEZZANINE PLAN- FIRE

SCALE: 1/4" = 1'-0"

TOLA
RESTAURANT
4601 Washington Ave
Houston, TX 77007

Gensler

711 Louisiana
Suite 300
Houston, Texas 77002
Tel: 713.844.0000
Fax: 713.844.0001

Issue	Date & Issue Description	By	Check
01	05/19/10 PERMIT/CONSTRUCTION		
	08/08/10 CITY COMMENTS		

Stamp/Signature

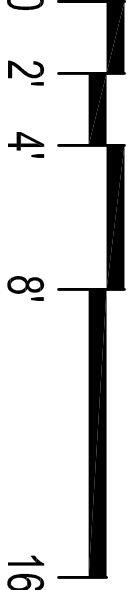
PROJECT #10082
H.M. McLEOD, P.E.
4727 MERRIN ST. SUITE B
HOUSTON, TEXAS 77057
OFFICE: (713) 961-2899
FAX: (713) 961-2891

H. M. McLeod, P.E.
Professional Engineer
No. 9879
© 2010 H.M. McLeod, P.E.

THIS SEAL WAS AUTHORIZED
THIS DATE: 06/08/10

Project Name
TOLA

Project Number	
CAD File Name	
Description	MEZZANINE PLAN FIRE



F-12