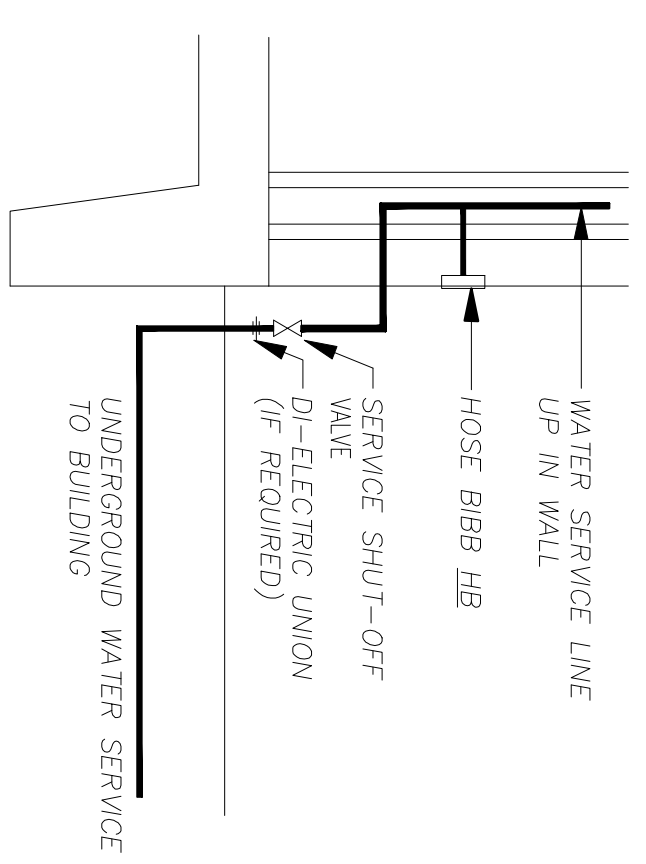
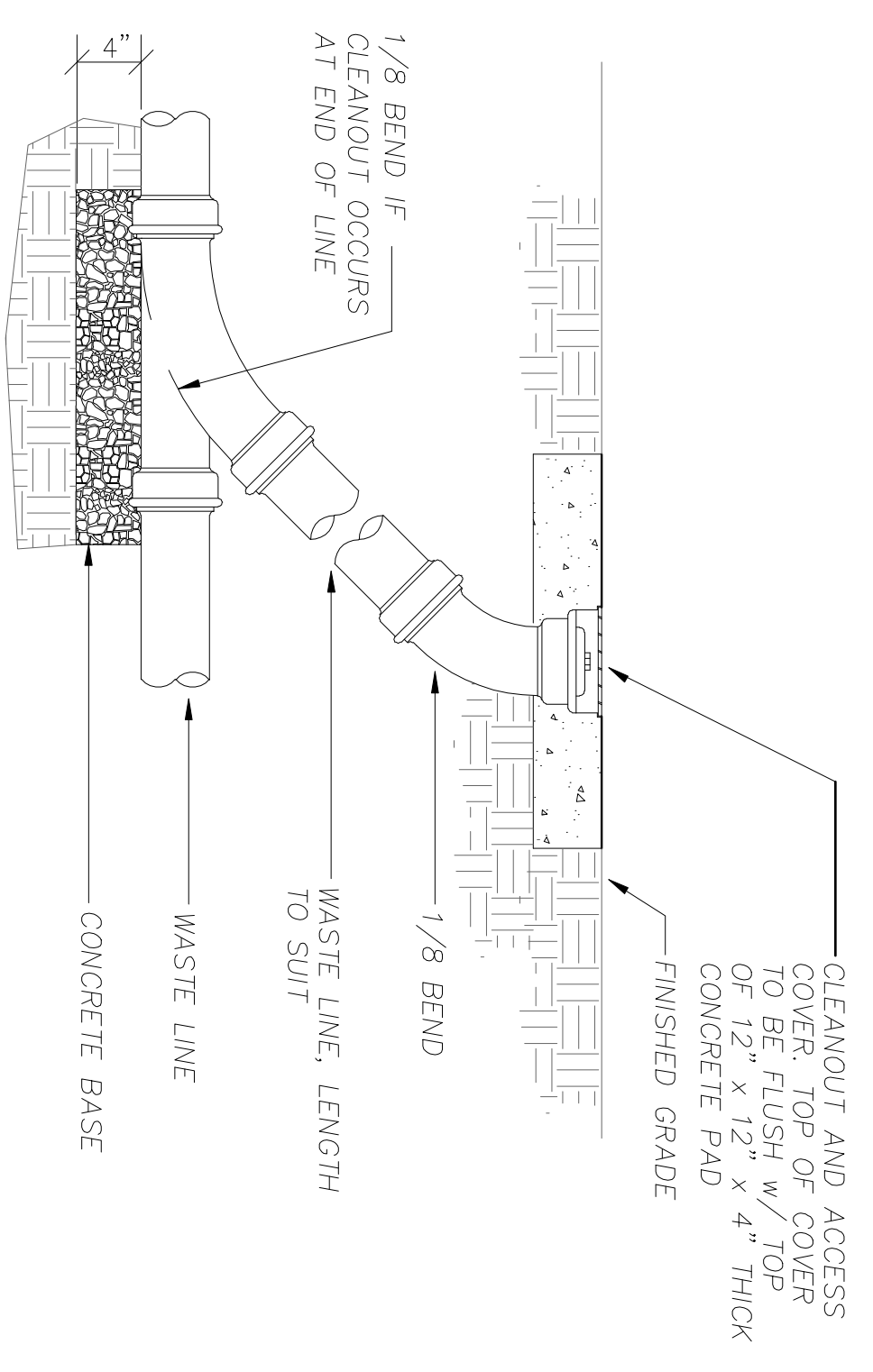


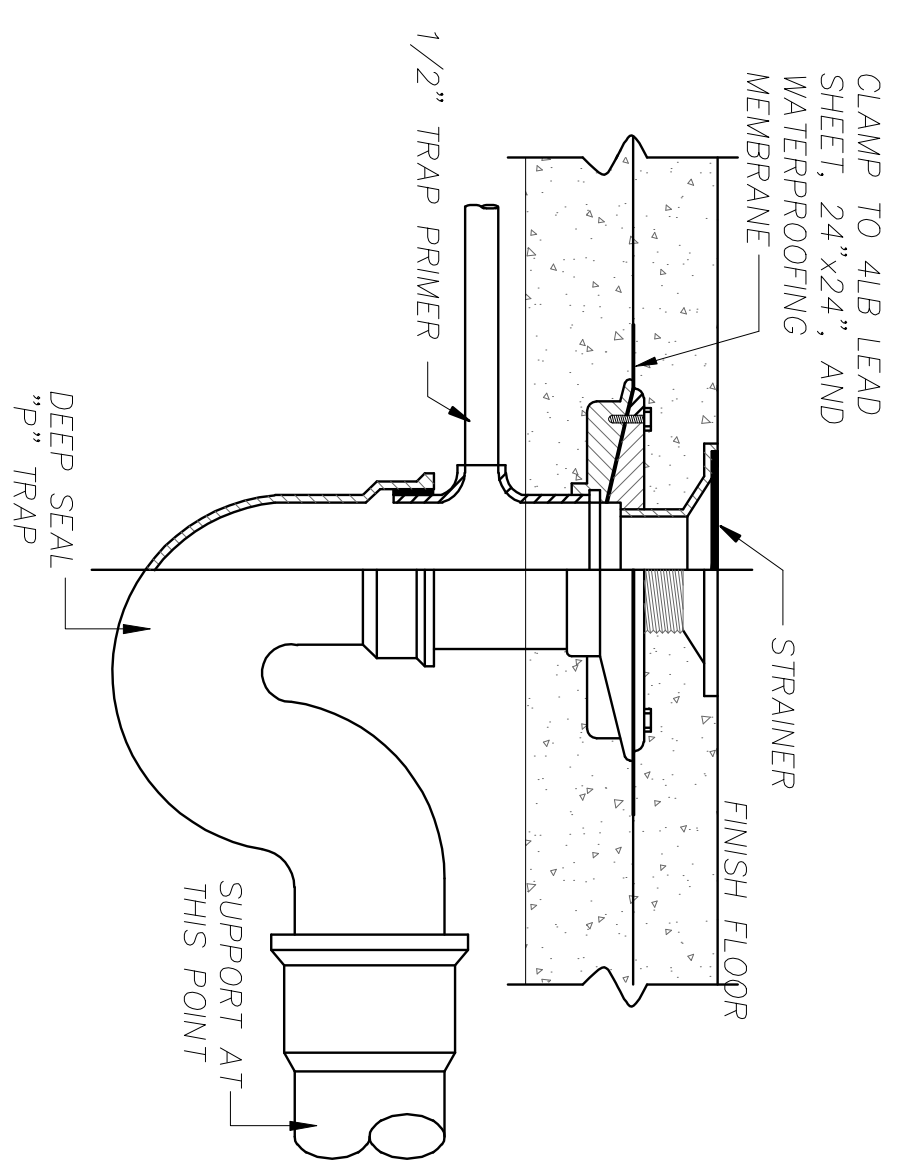
1 PLUMBING RISER DIAGRAM
Scale: N.T.S.



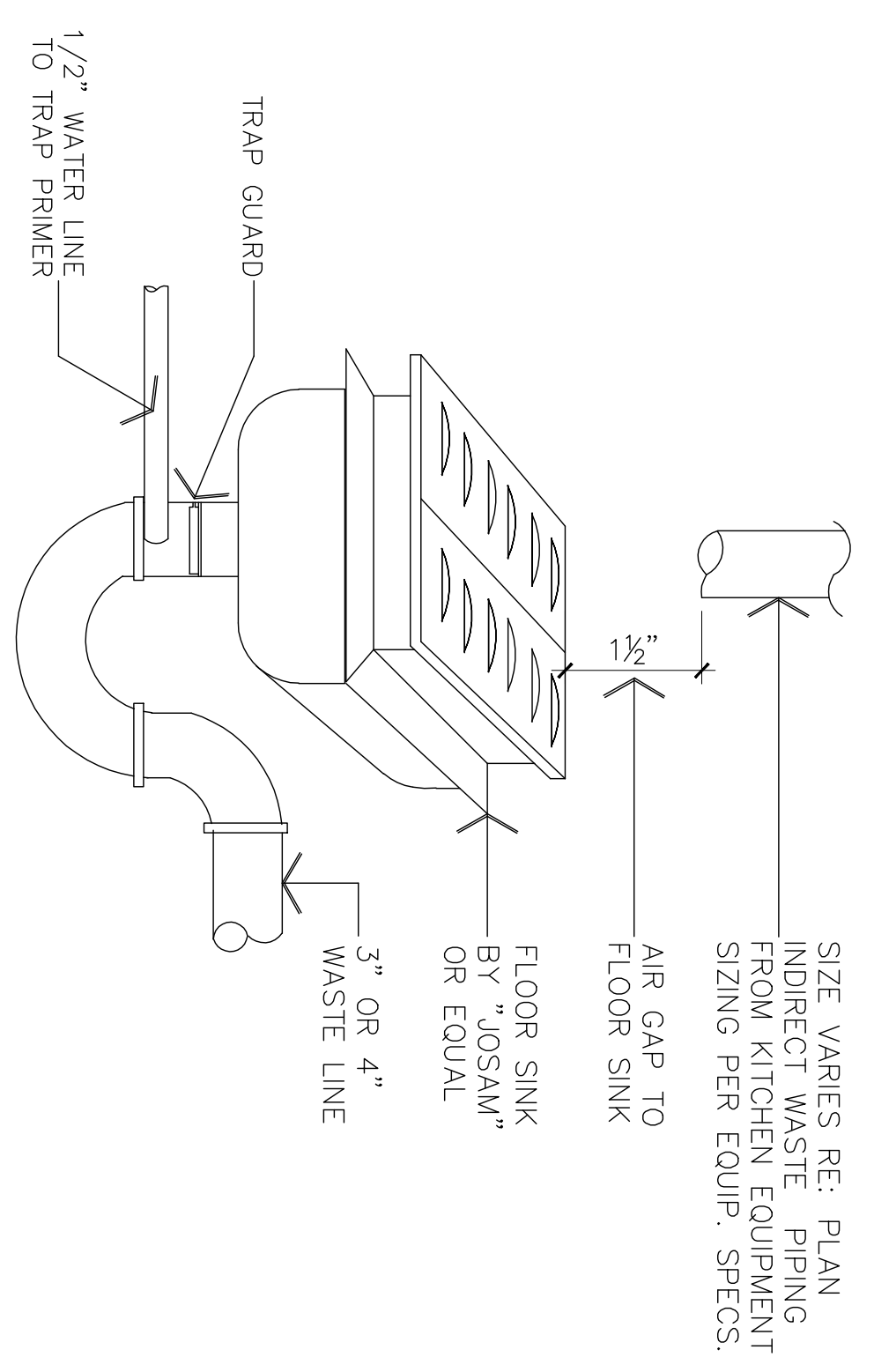
3 BUILDING WATER ENTRY DETAIL
Scale: NOT TO SCALE



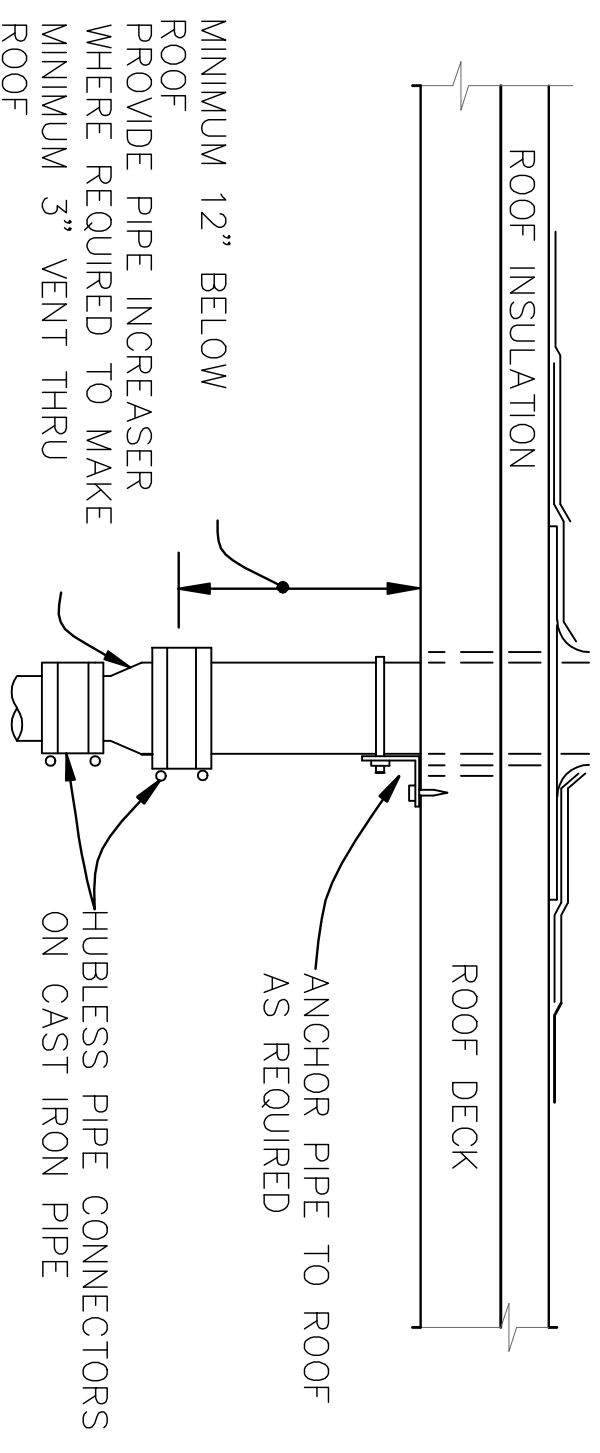
4 EXTERIOR CLEANOUT DETAIL
Scale: NOT TO SCALE



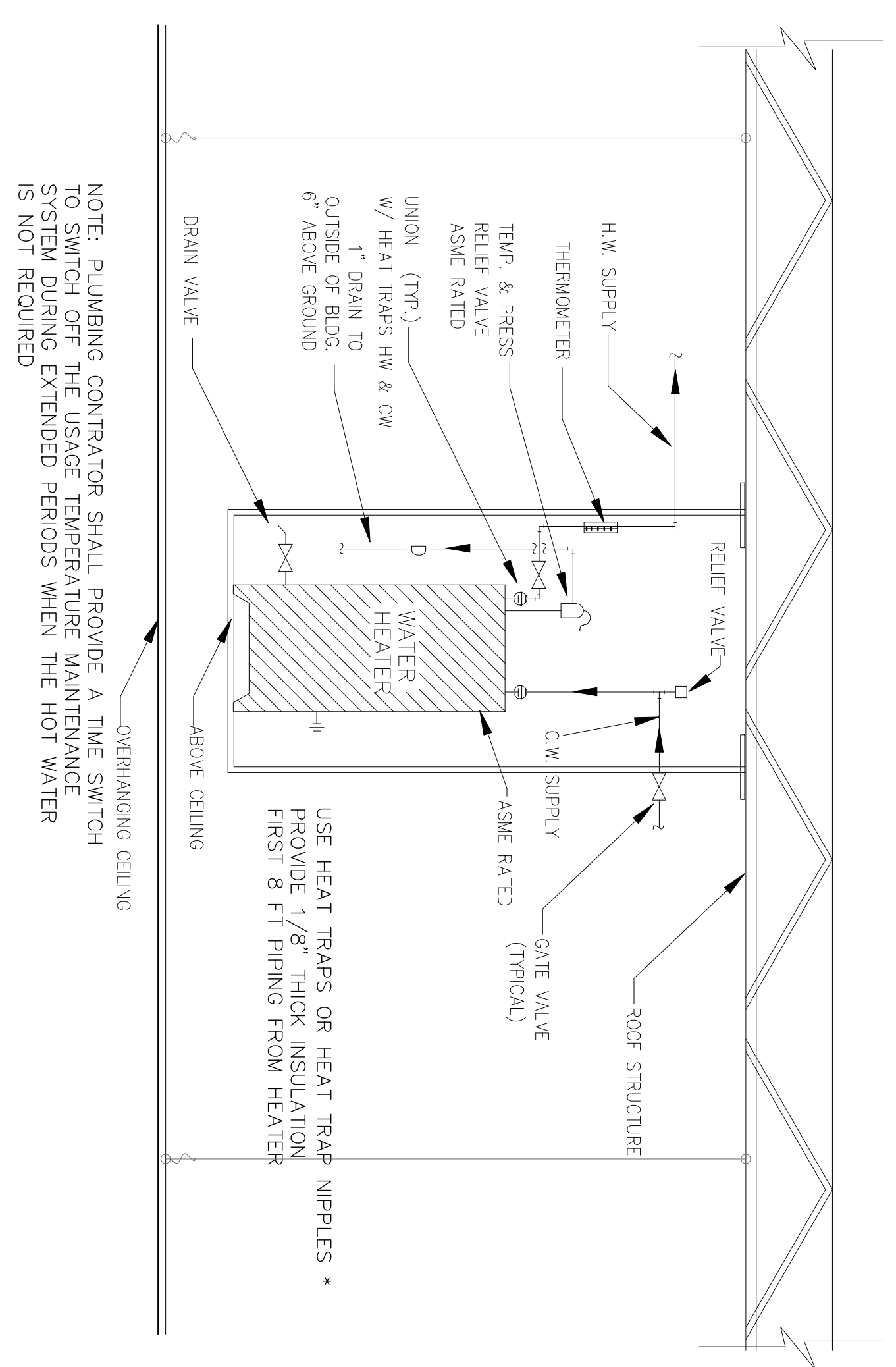
5 FLOOR DRAIN DETAIL
Scale: NOT TO SCALE



6 FLOOR SINK DETAIL AIR GAP PIPING DETAIL
Scale: N.T.S.



7 VENT TRHU ROOF DETAIL
Scale: NOT TO SCALE



8 WATER HEATER DETAIL
Scale: NOT TO SCALE