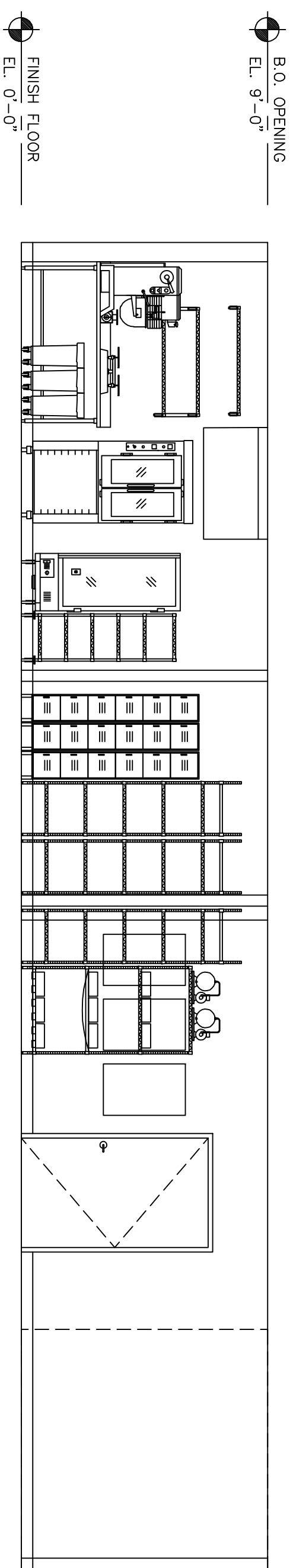
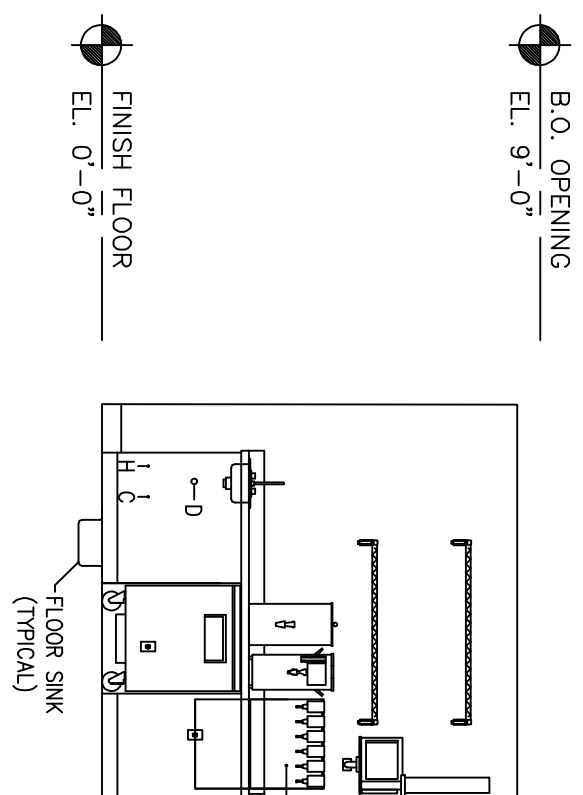
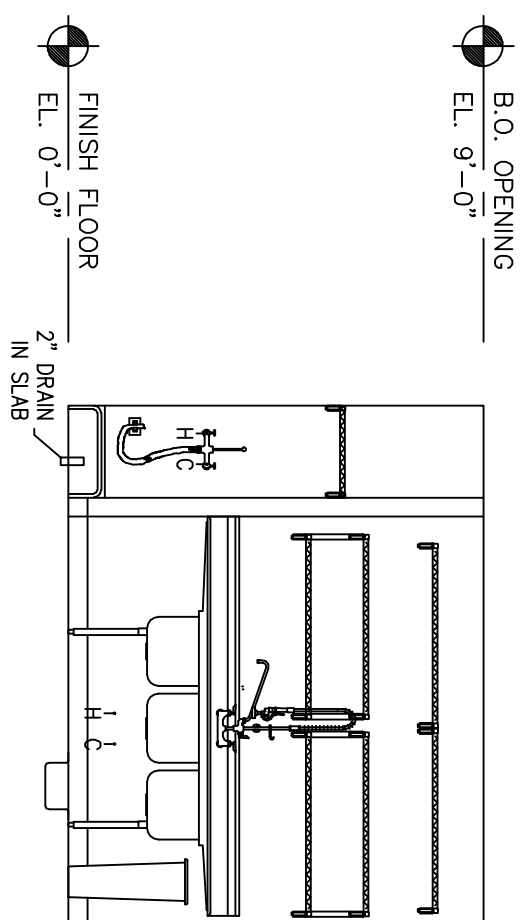
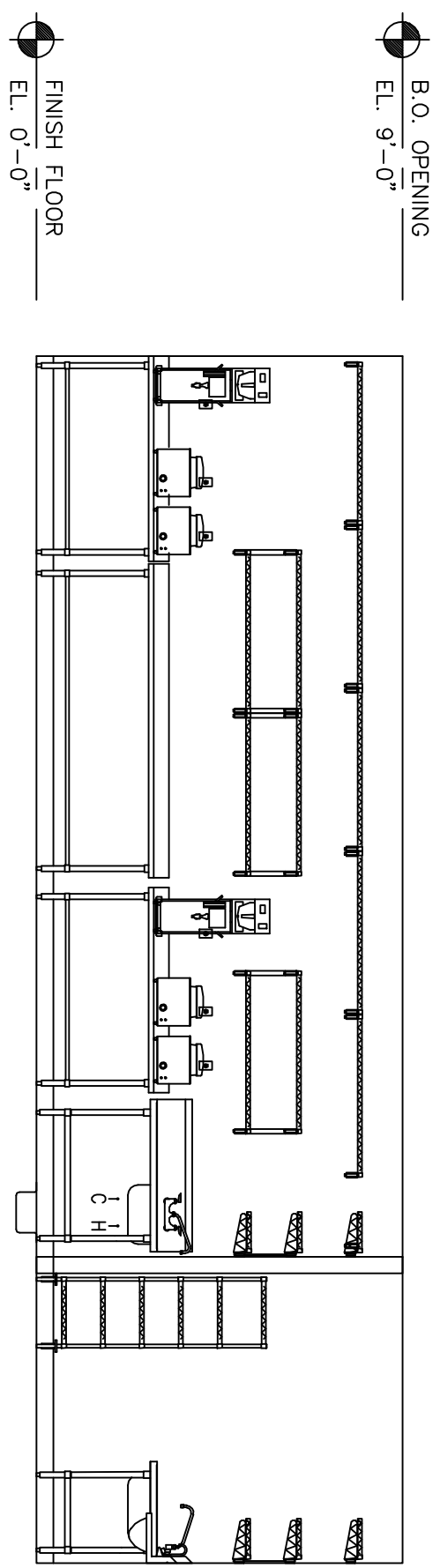
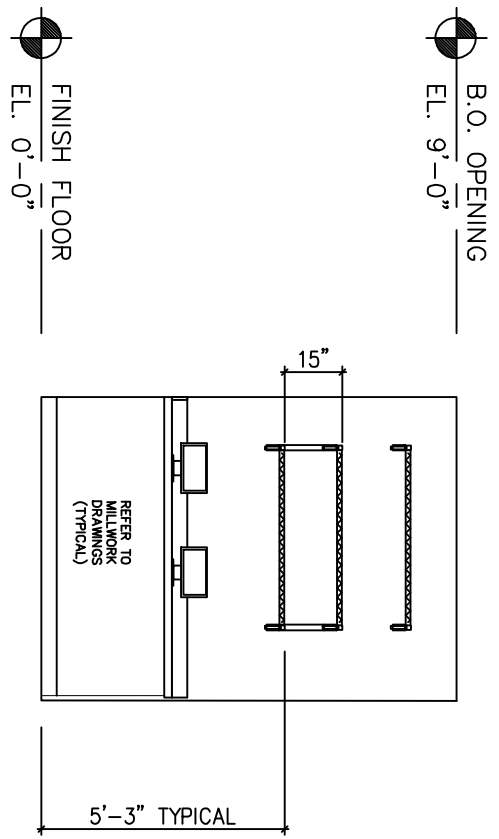


Rev.	By	Date



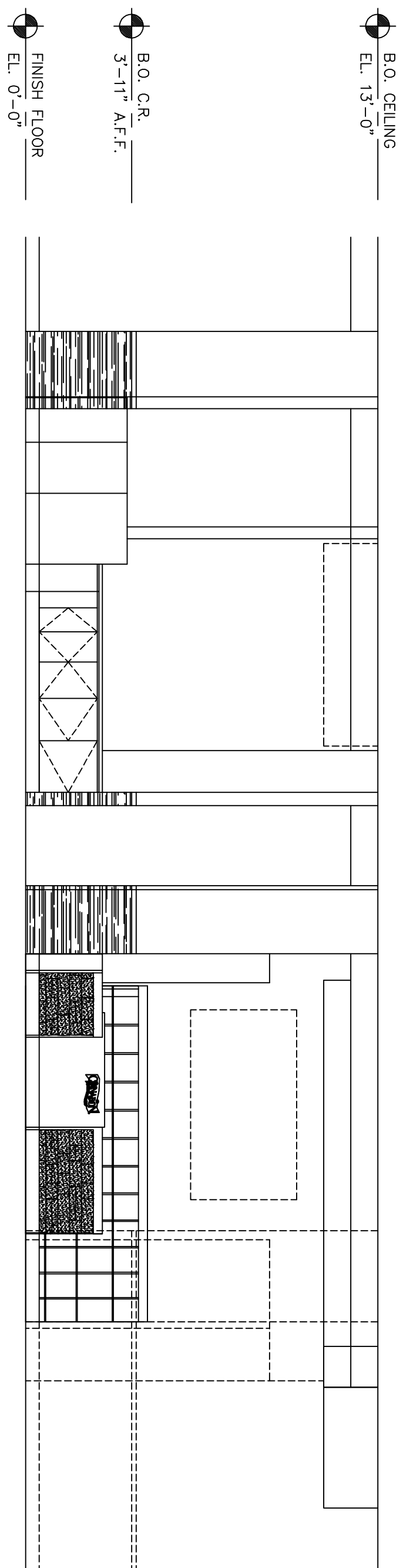
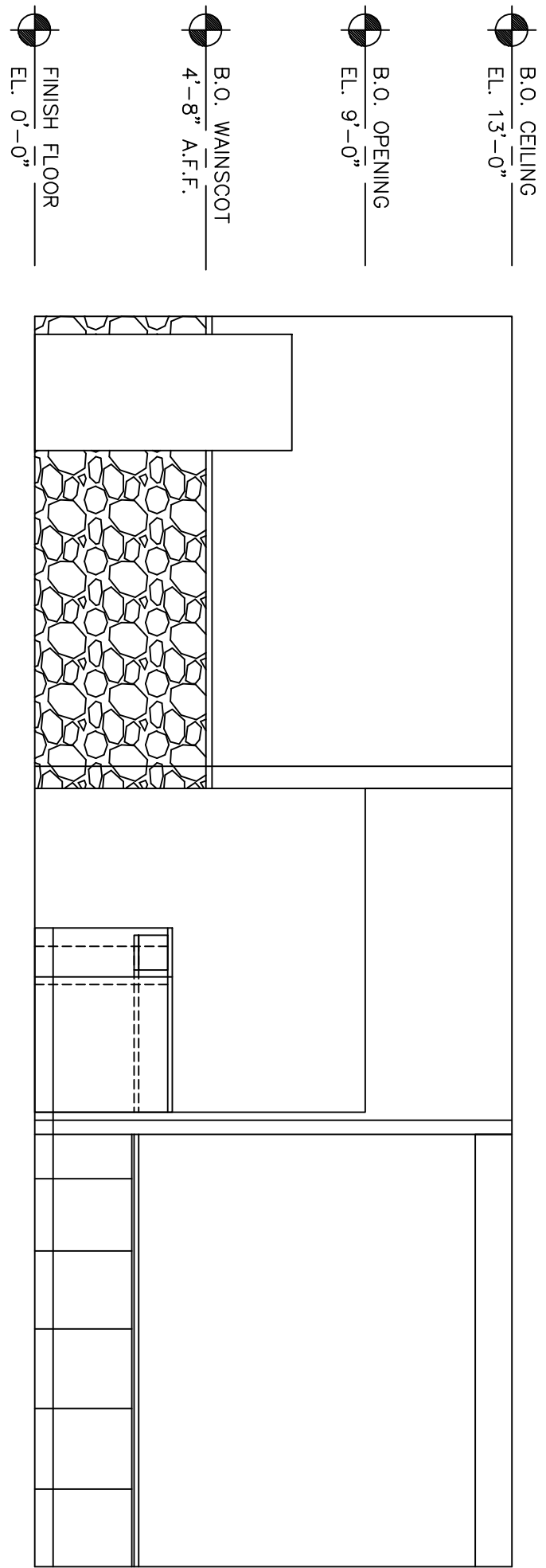
H. INTERIOR ELEVATION  
SCALE= 1/4" = 1'-0"

G. INTERIOR ELEVATION  
SCALE= 1/4" = 1'-0"



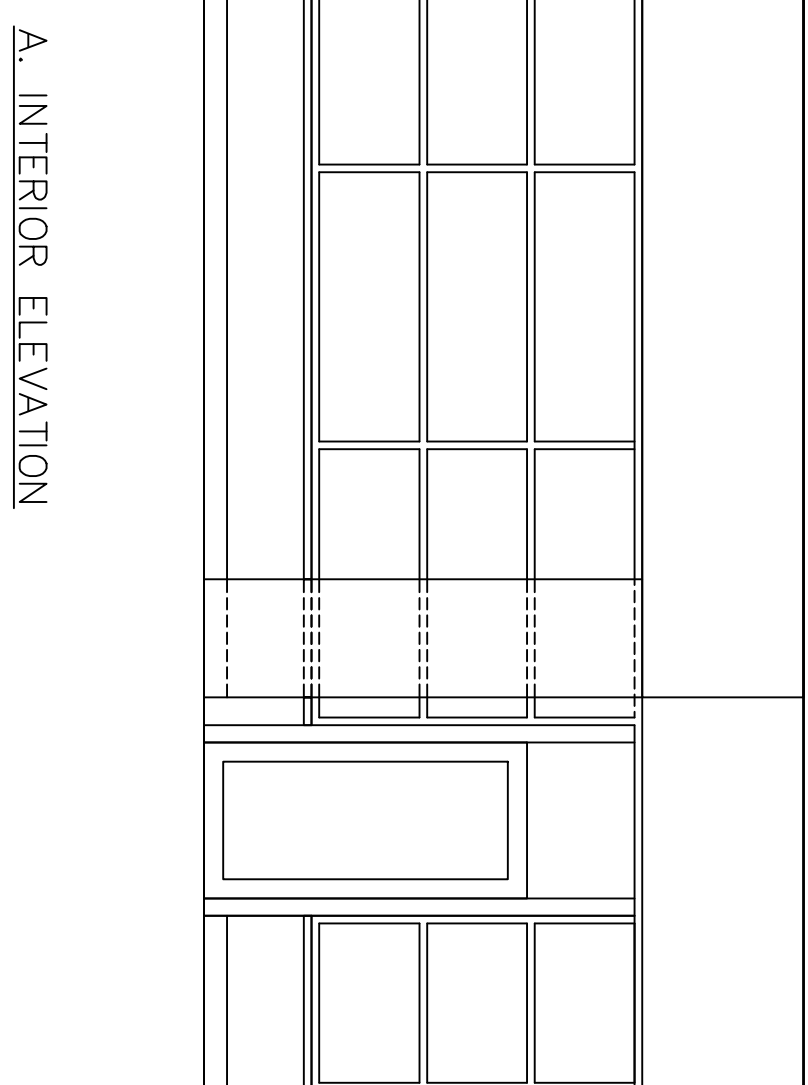
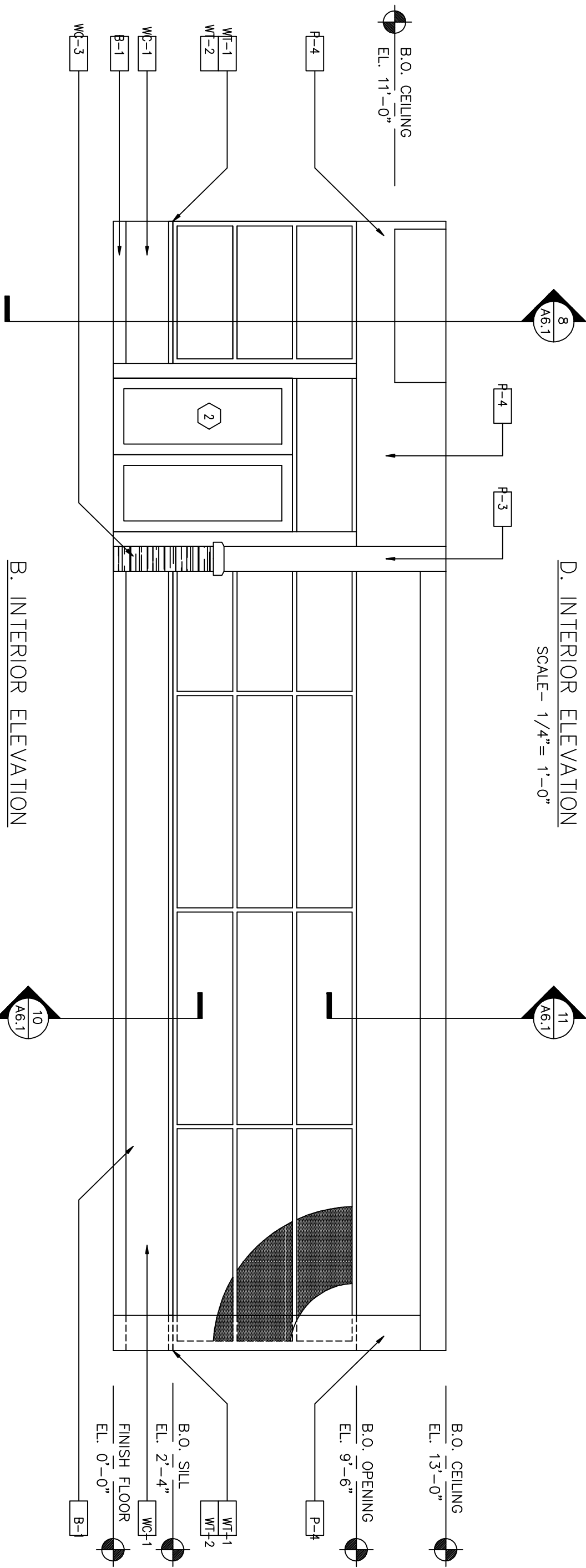
E. INTERIOR ELEVATION  
SCALE= 1/4" = 1'-0"

E. INTERIOR ELEVATION  
SCALE= 1/4" = 1'-0"



D. INTERIOR ELEVATION  
SCALE= 1/4" = 1'-0"

C. INTERIOR ELEVATION  
SCALE= 1/4" = 1'-0"



B.O. CEILING  
EL. 12'-0"

B.O. CEILING  
EL. 11'-0"

B.O. CEILING  
EL. 13'-0"

**SCHLOTZSKY'S**  
**@ VICTORY LAKETOWN CENTER**  
**TRACT 7A NEC INTERSTATE HWY 45 & F.M.646**  
**LEAGUE CITY, TEXAS 77573**

**ARCH**  
 Moo Associates, LLC.  
 ARCHITECTS - PLANNERS  
 13734 Brimford Green Dr.  
 Houston, TX 77083  
 (281) 530-3192

Date 05-26-2010  
 Scale AS SHOWN  
 Drawn by KW  
 Job#: VICTORY LAKE

**A5.0**