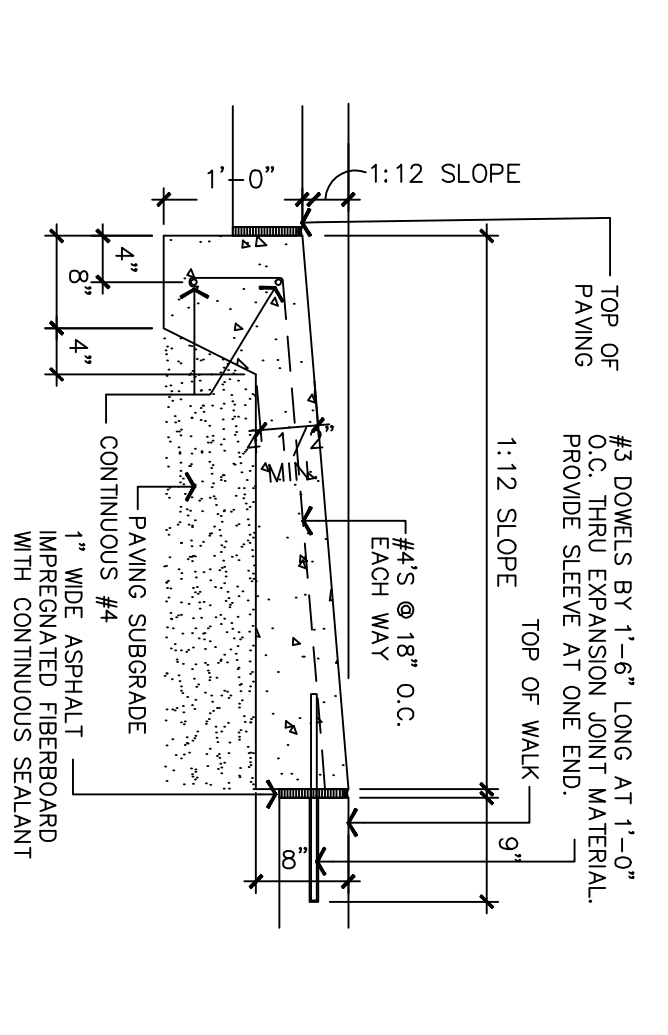
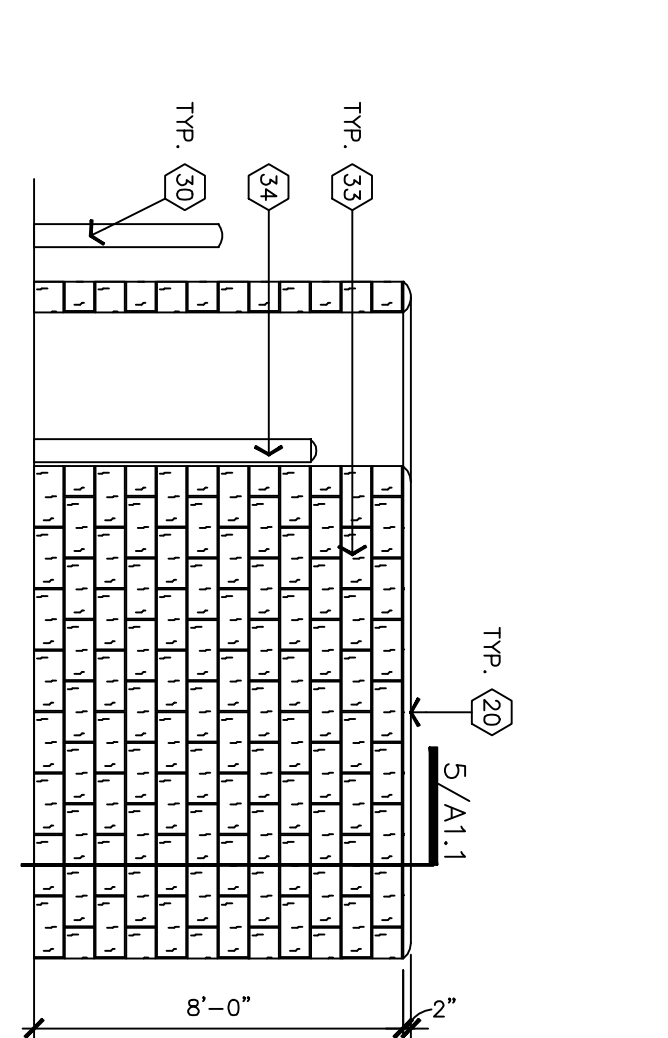


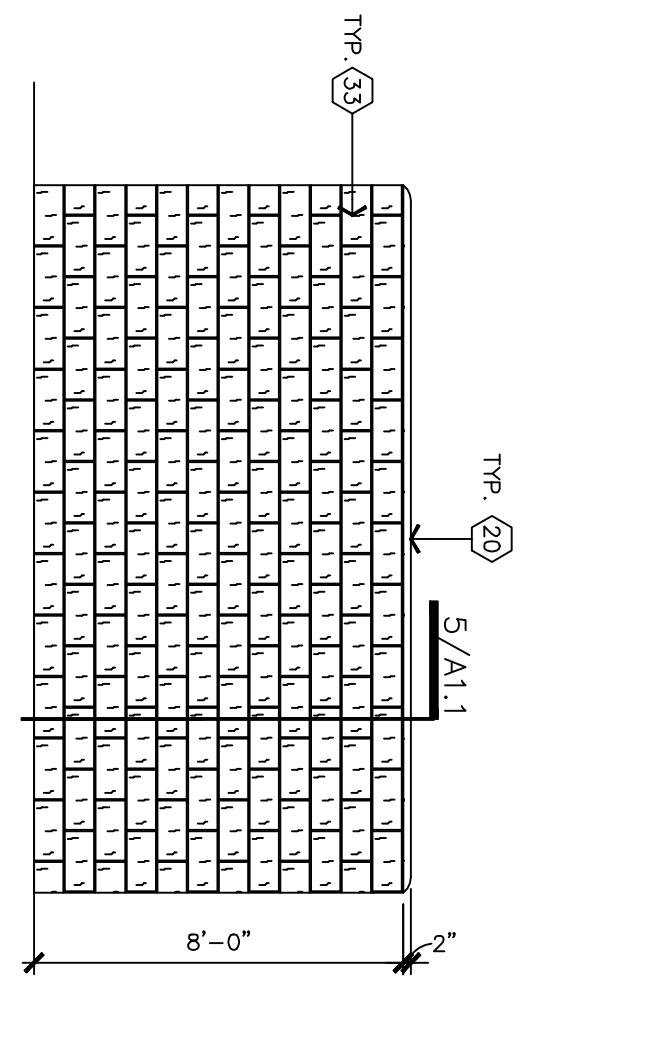
RAMP CURB DETAIL 1/4"=1'-0" 20



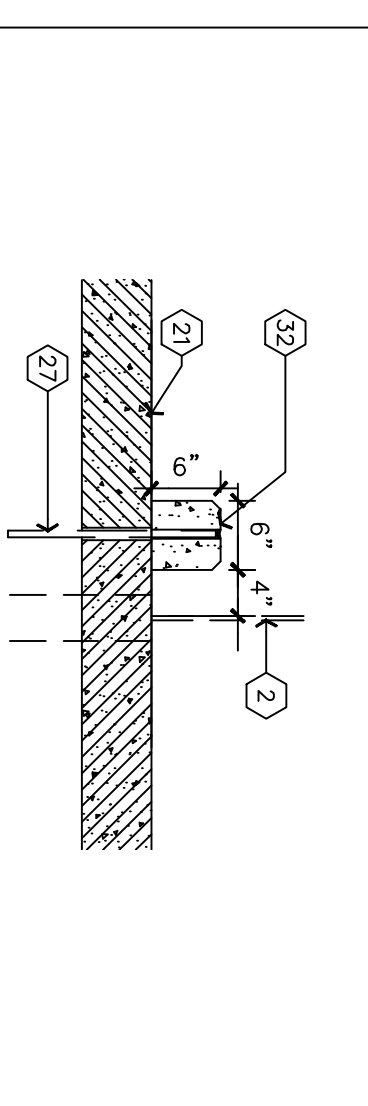
RAMP SECTION 3/4"=1'-0" 16



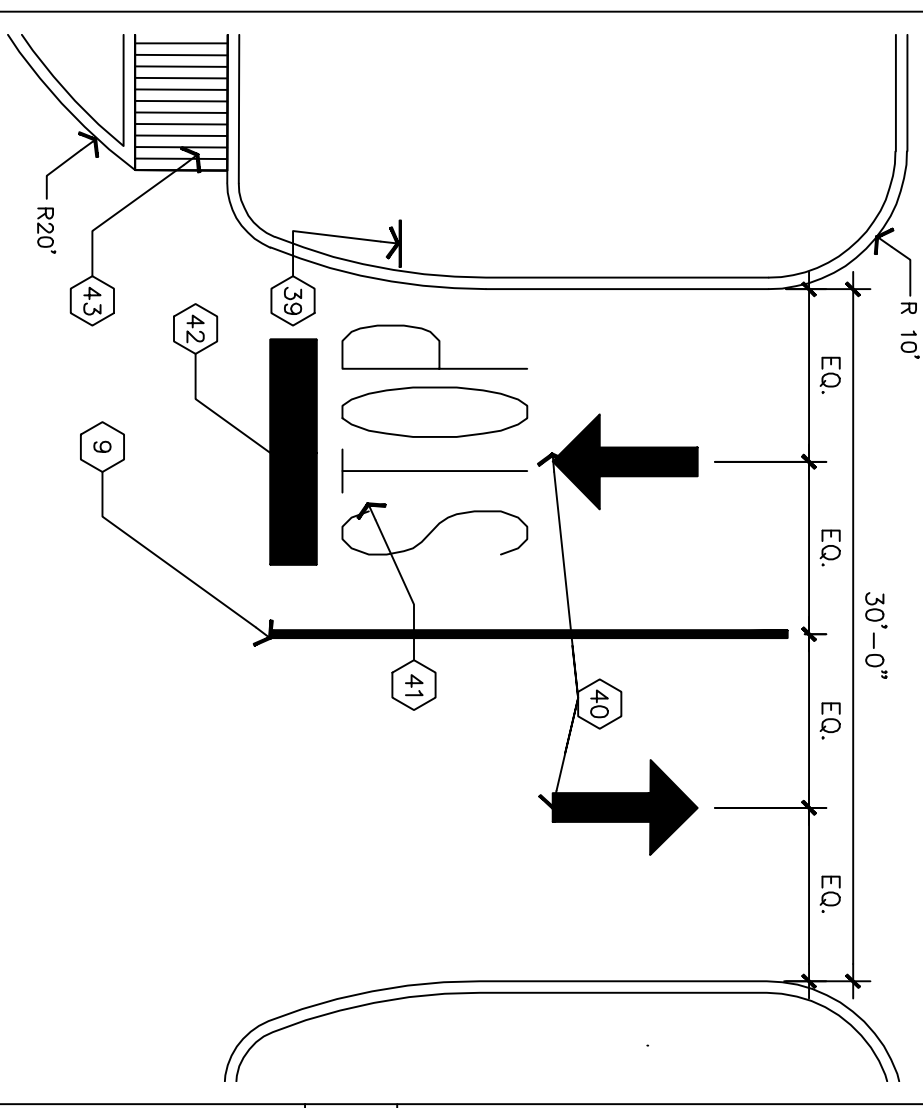
ELEVATION 1/4"=1'-0" 11



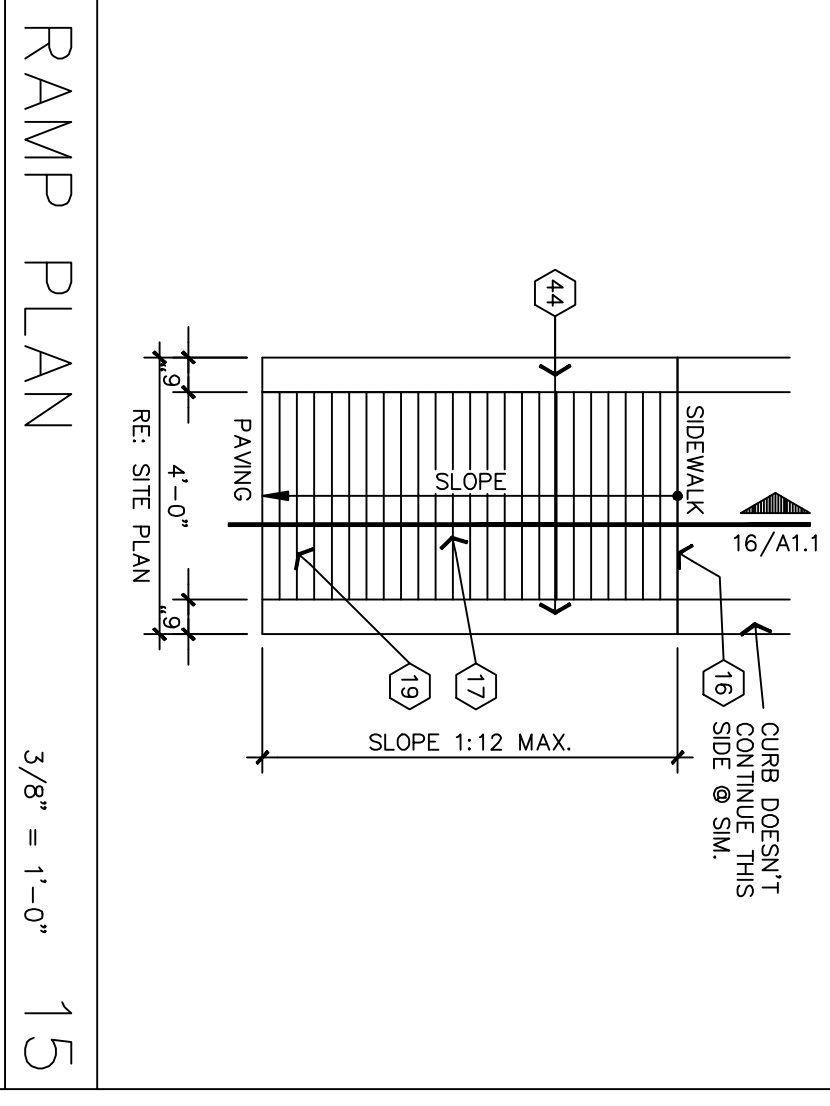
ELEVATION 1/4"=1'-0" 8



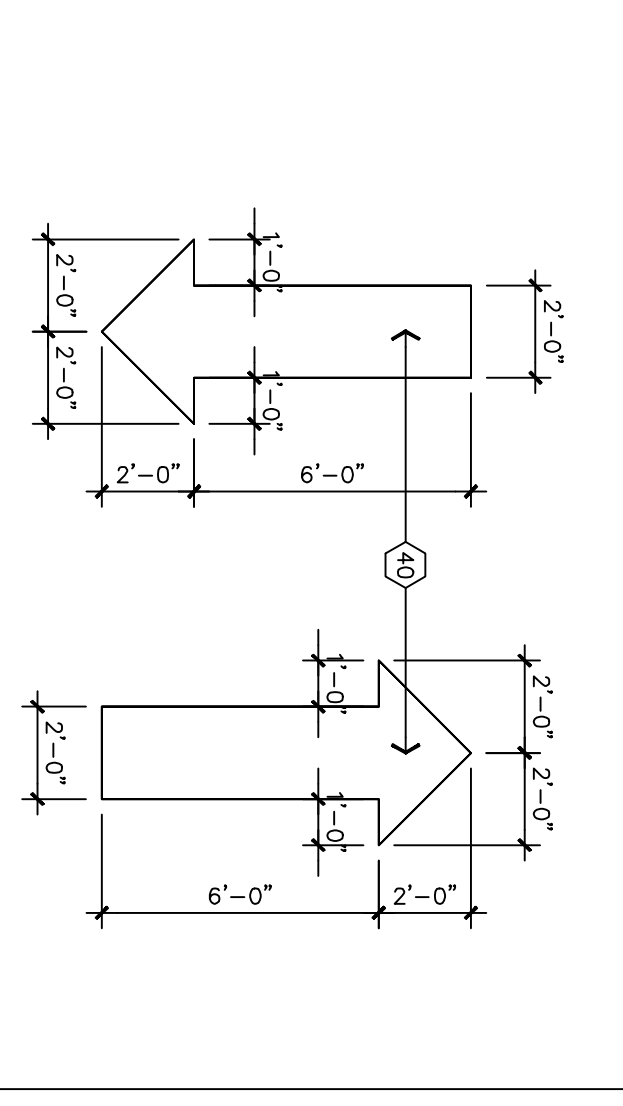
WHEELSTOP DETAIL 3/4"=1'-0" 4



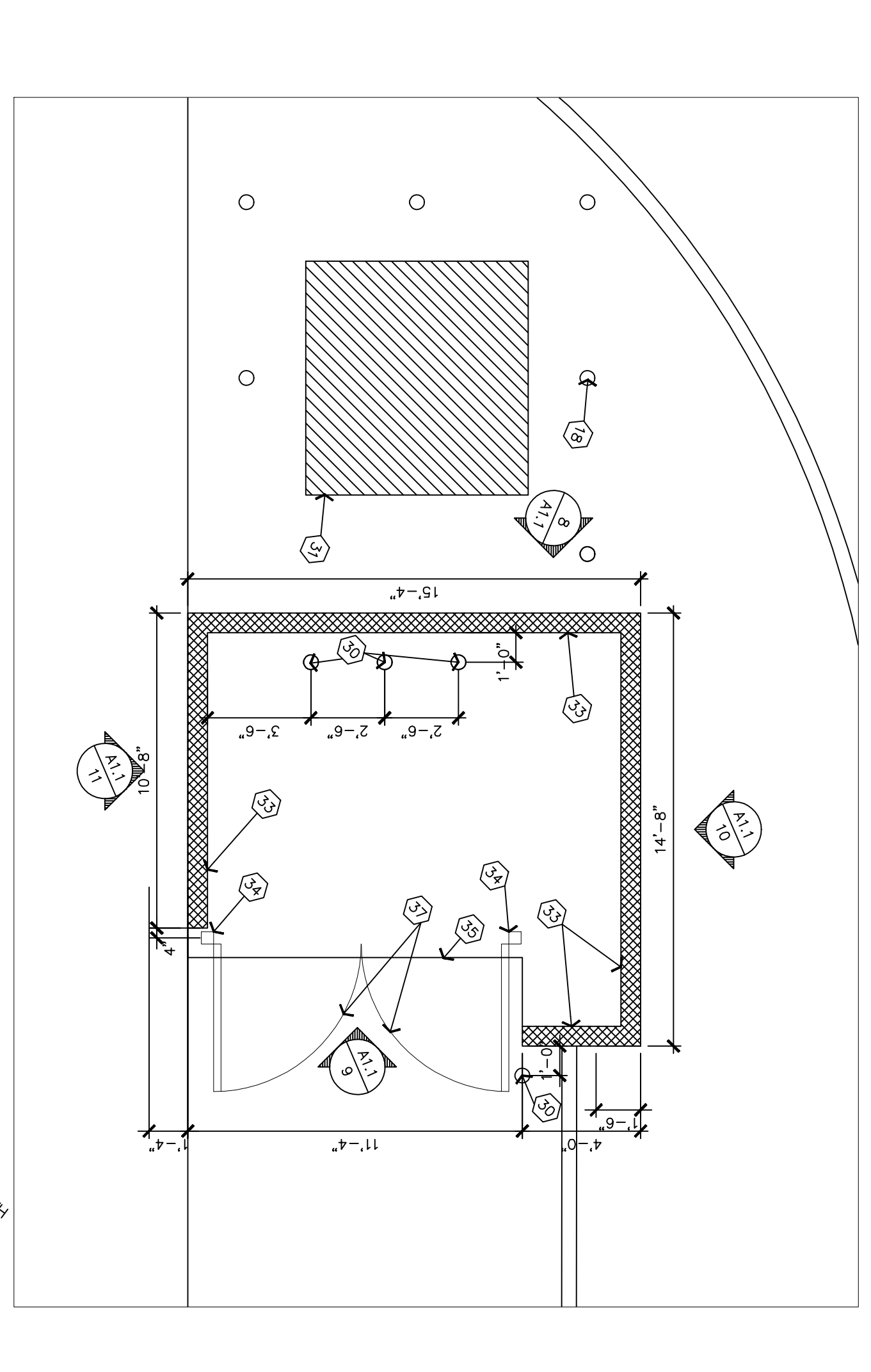
ENTRY DRIVE DTL 1/8"=1'-0" 19



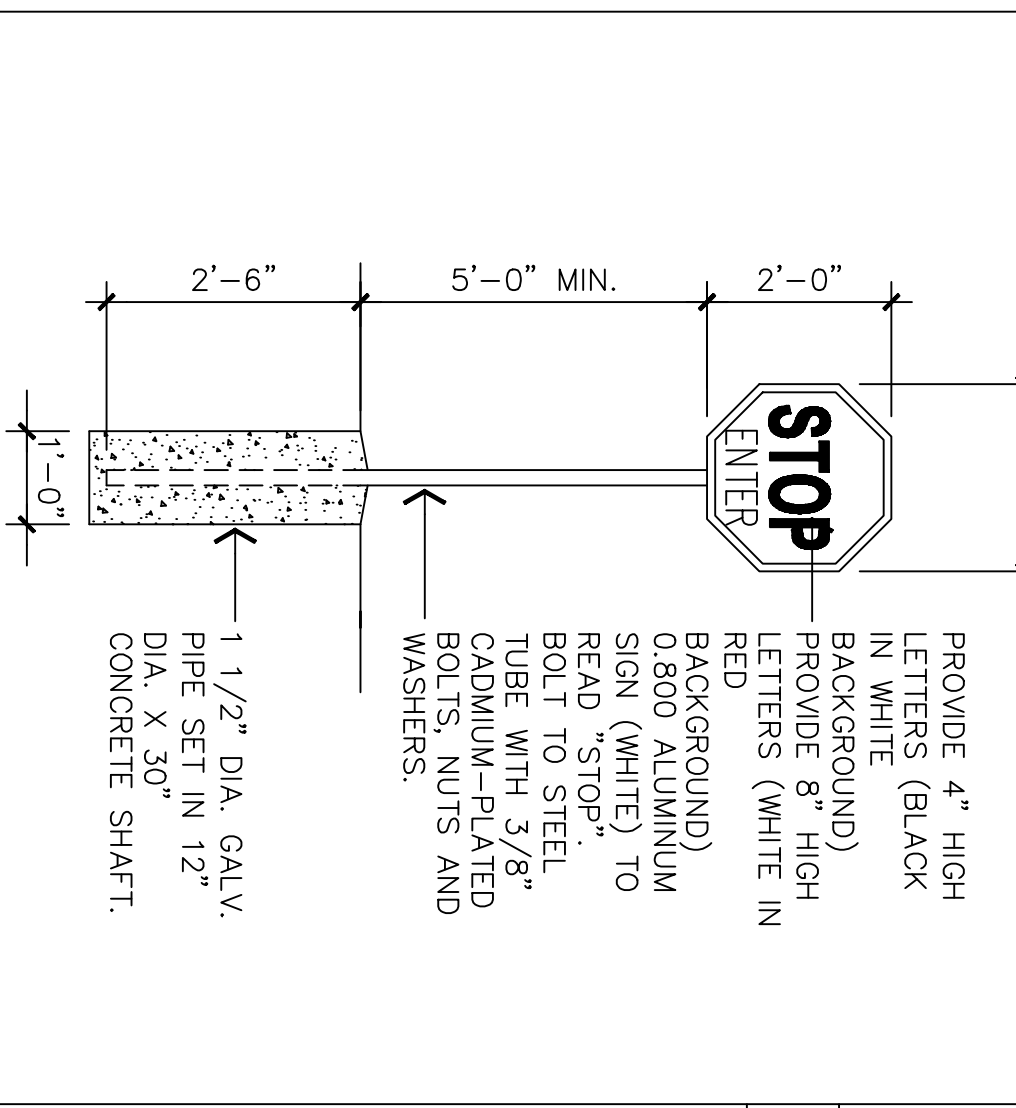
RAMP PLAN 3/8"=1'-0" 15



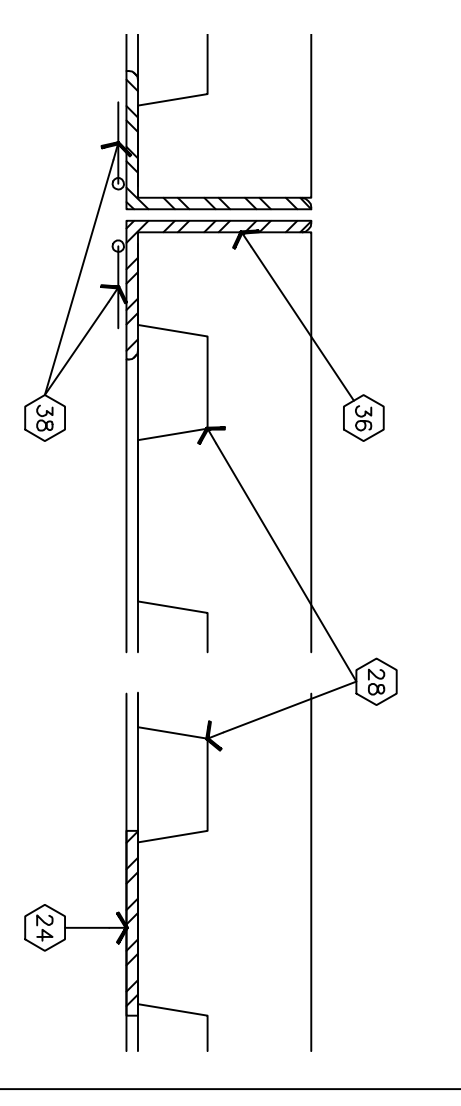
DETAIL 1/4"=1'-0" 14



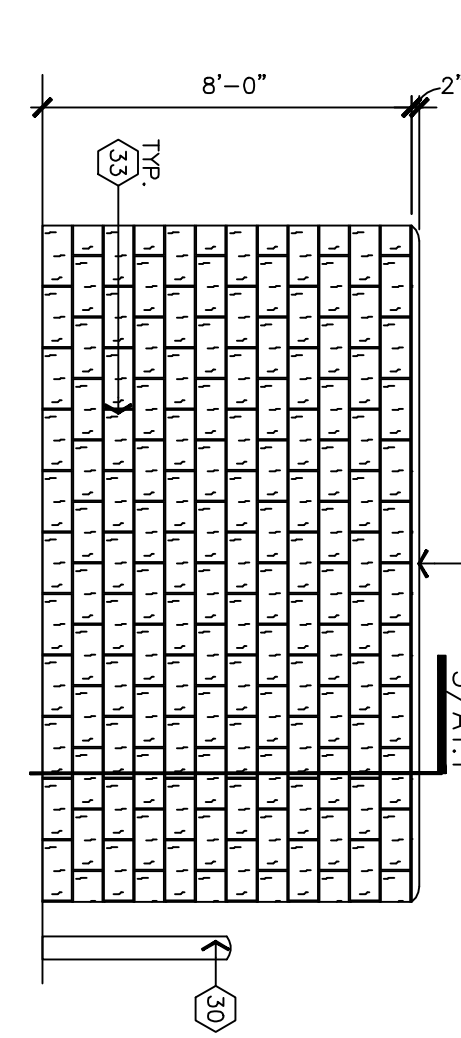
DUMPSTER PLAN - ISOLATED PRICE "A" 1/4"=1'-0" 7



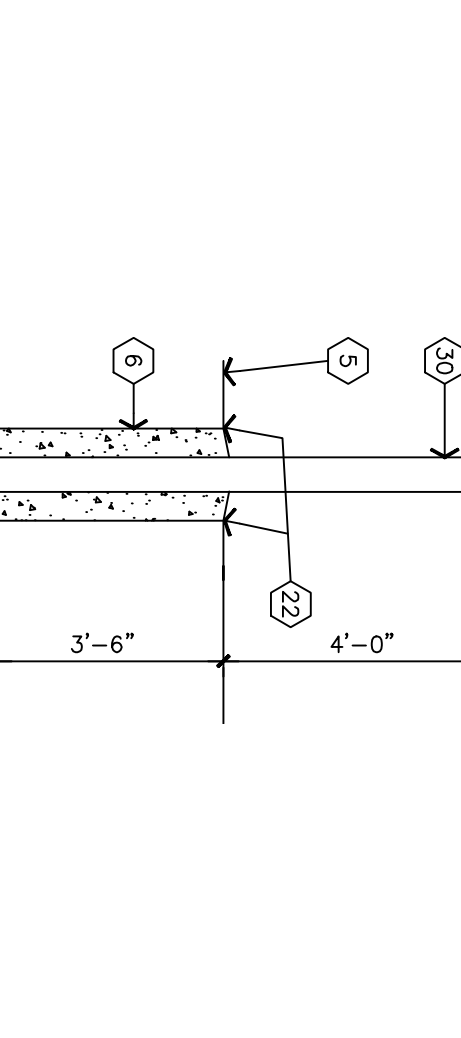
STOP SIGN DETAIL 1/4"=1'-0" 18



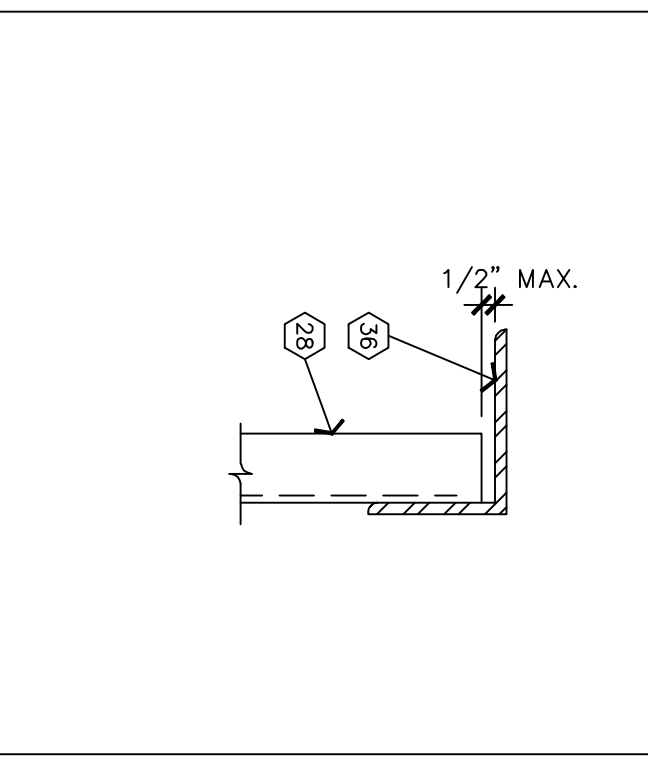
GATE DETAIL 3/4"=1'-0" 13



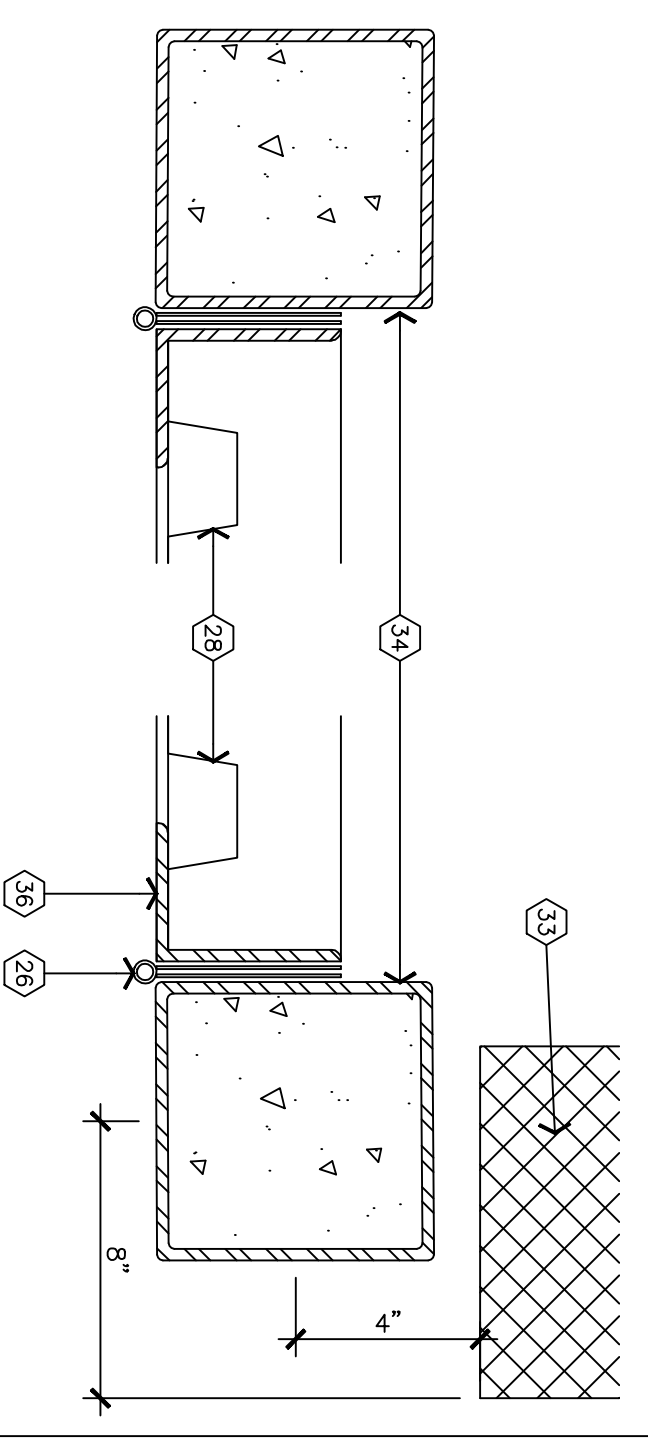
ELEVATION 1/4"=1'-0" 10



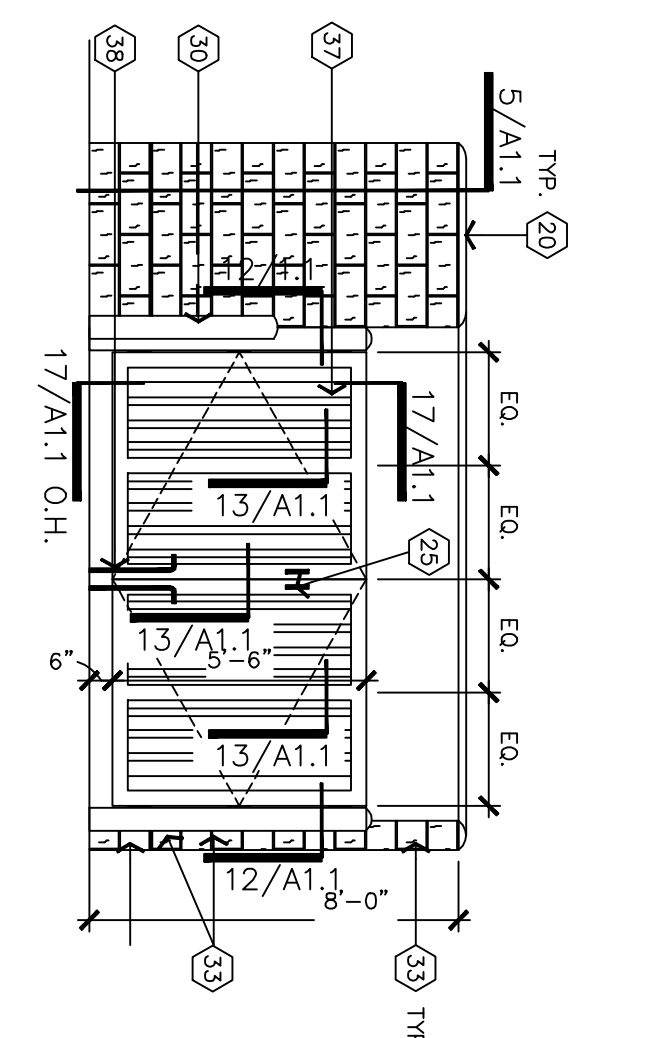
BOLLARD DETAIL 3/8"=1'-0" 6



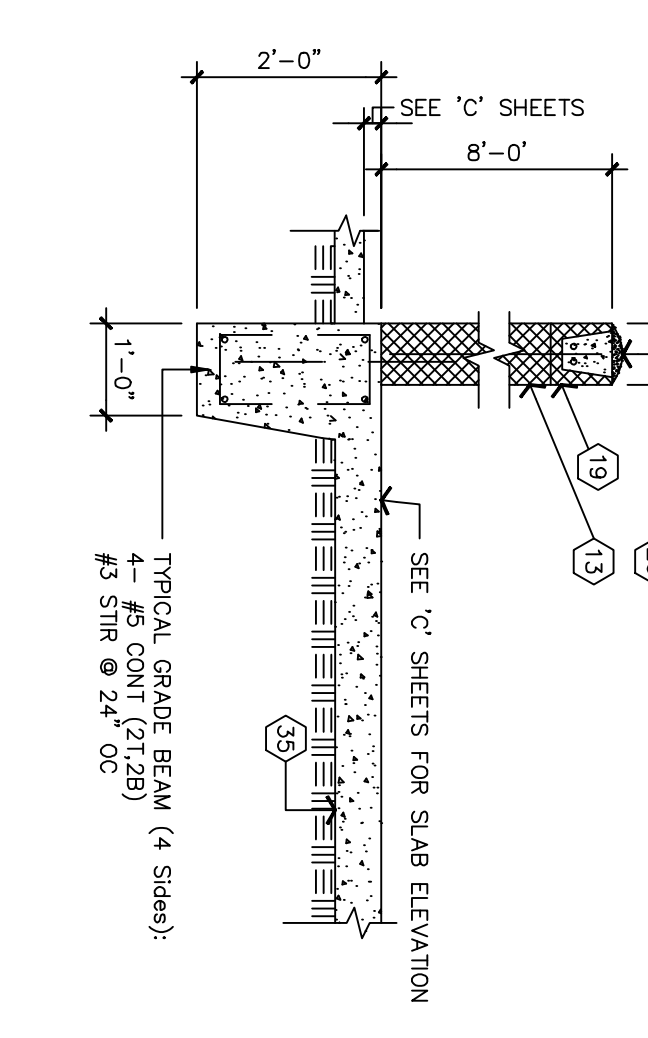
GATE DETAIL 3/4"=1'-0" 17



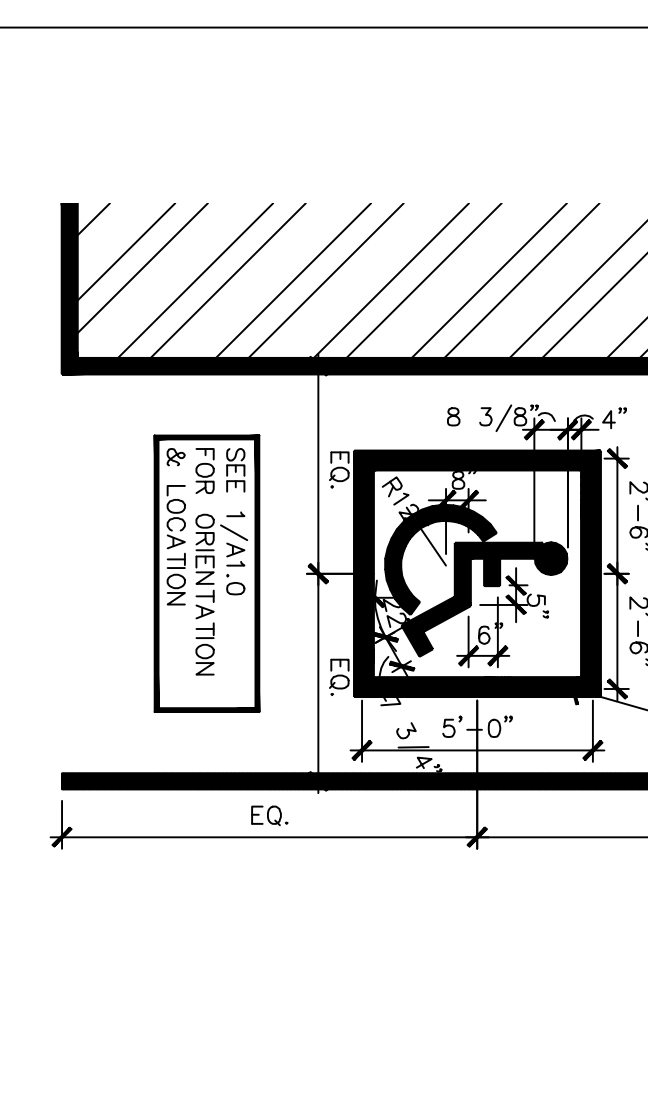
GATE DETAIL 3/4"=1'-0" 12



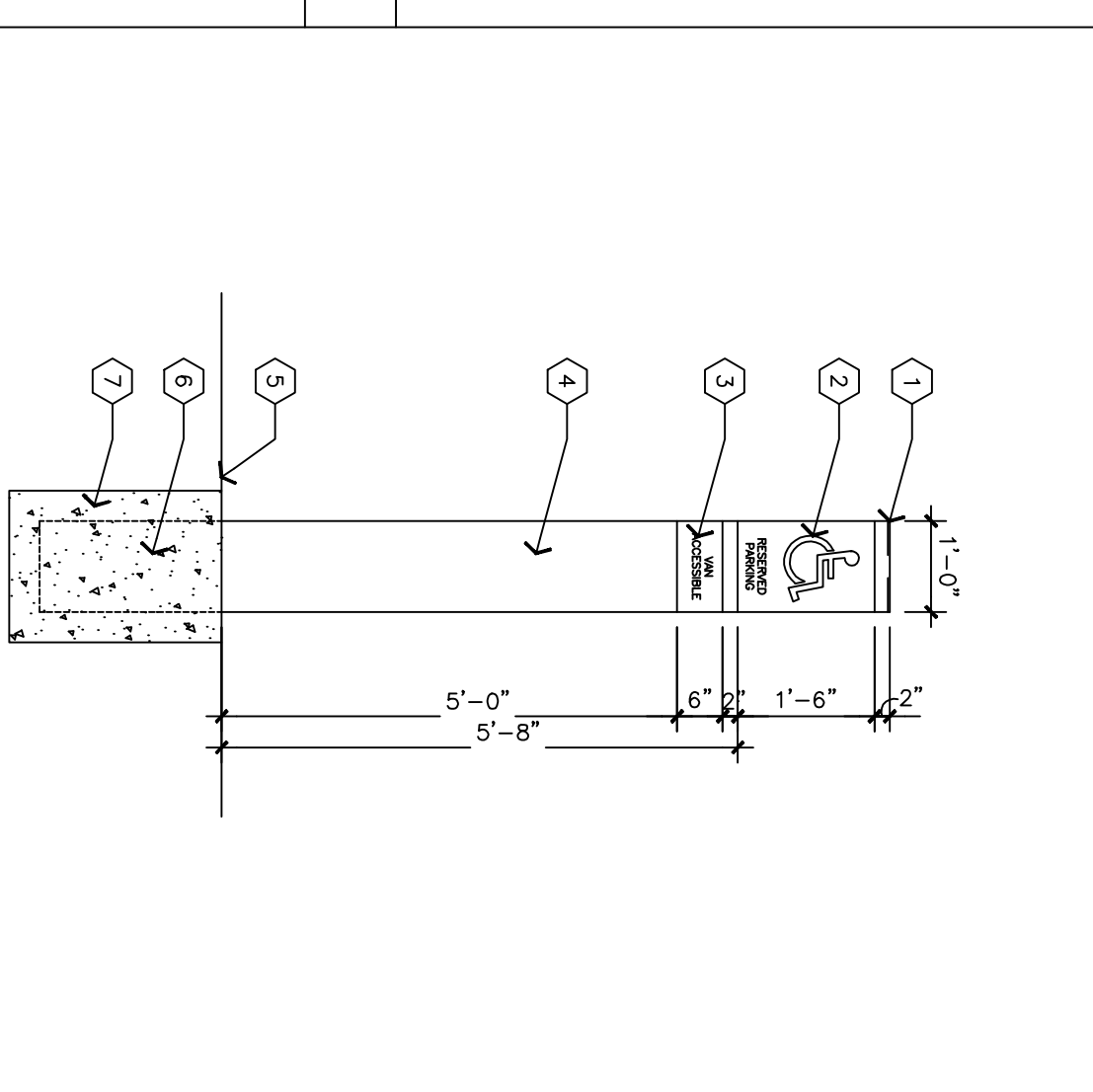
ELEVATION 1/4"=1'-0" 9



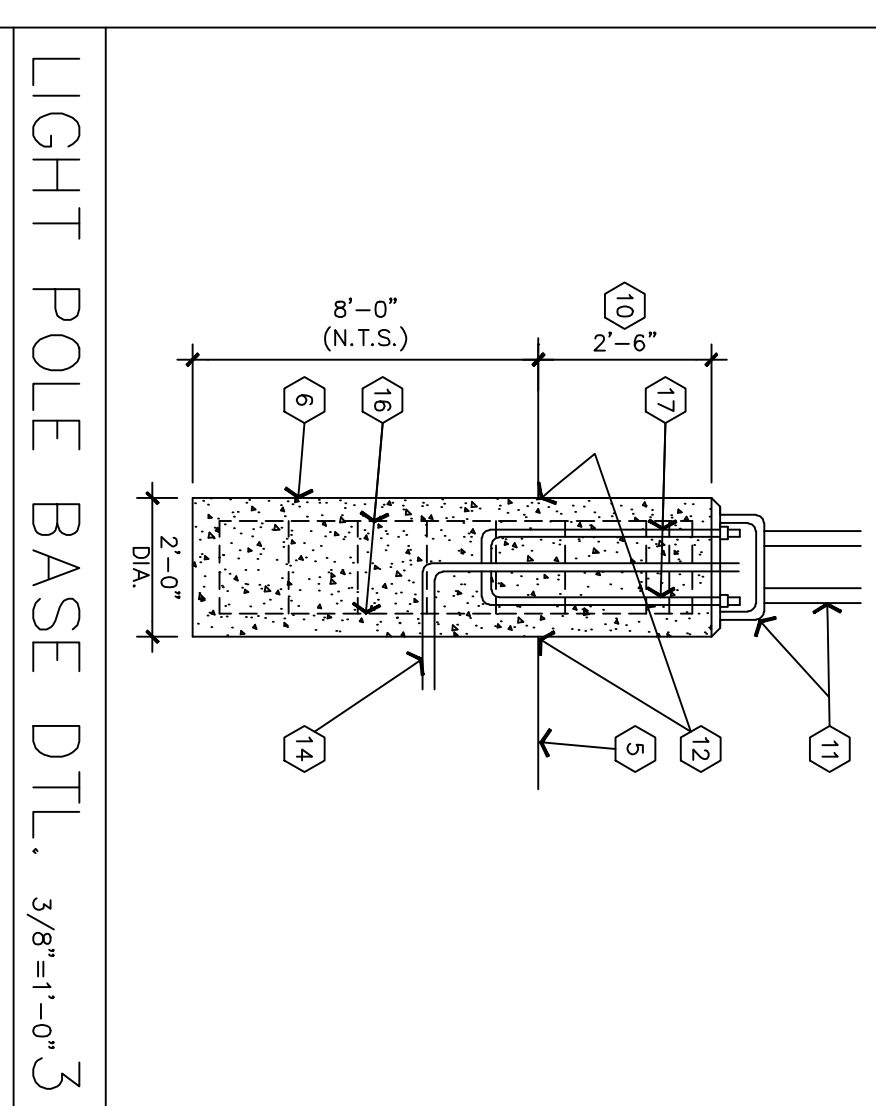
CMU WALL DETAIL 1/2"=1'-0" 5



HANDICAP PARKING 1/4"=1'-0" 1



HANDICAP SIGN 1/4"=1'-0" 2



LIGHT POLE BASE DTL. 3/8"=1'-0" 3

Rev.	By	Date

SCHLOTZSKY'S
@ VICTORY LAKETOWN CENTER
TRACT 7A NEC INTERSTATE HWY 45 & F.M.646
LEAGUE CITY, TEXAS 77573

ARCH
 Moo Associates, LLC.
 ARCHITECTS - PLANNERS
 13734 Brentford Green Dr.
 Houston, TX 77083
 (281) 530-3192

Date	05-26-2010
Scale	AS SHOWN
Drawn by	KW
Job#:	VICTORY LAKE

A1.1