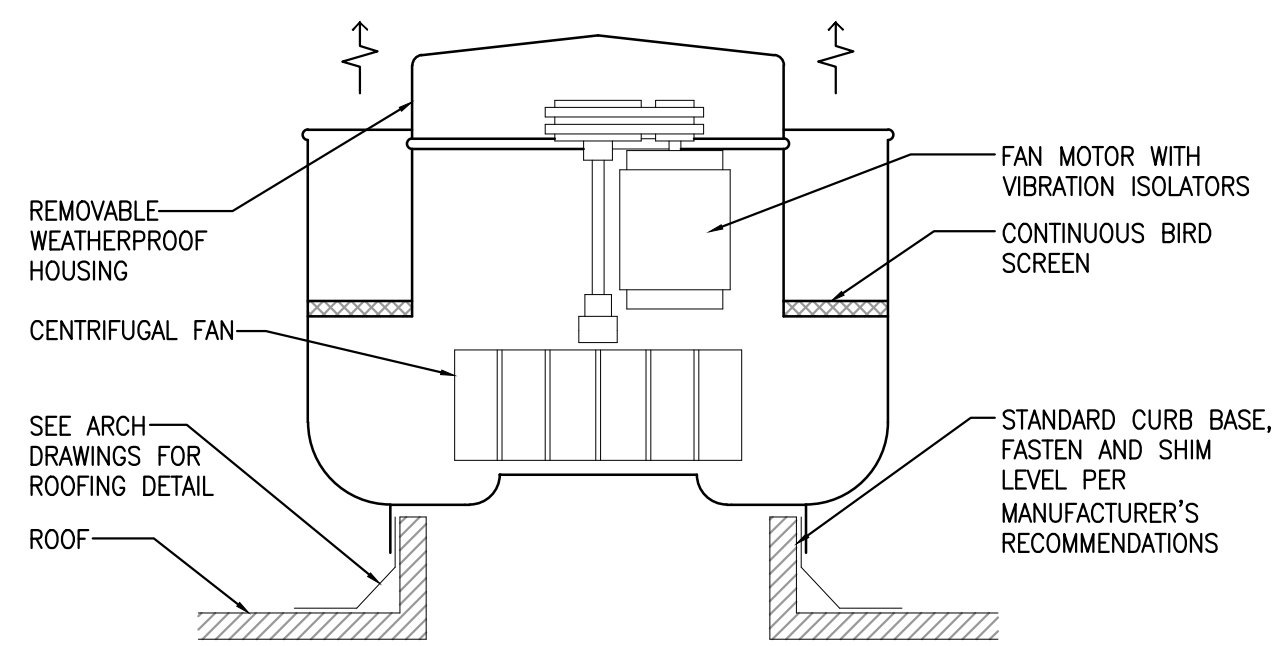


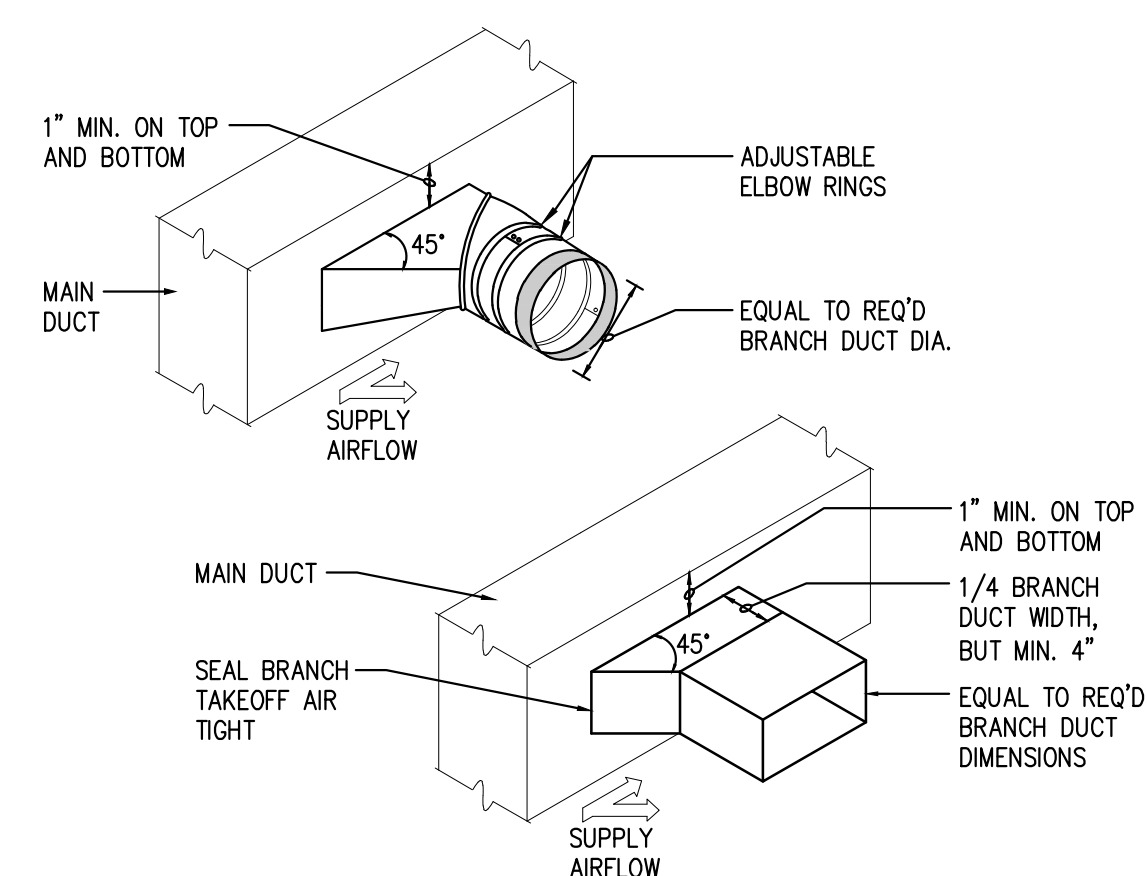
ROOFTOP UNIT DETAIL
SCALE: NONE

1



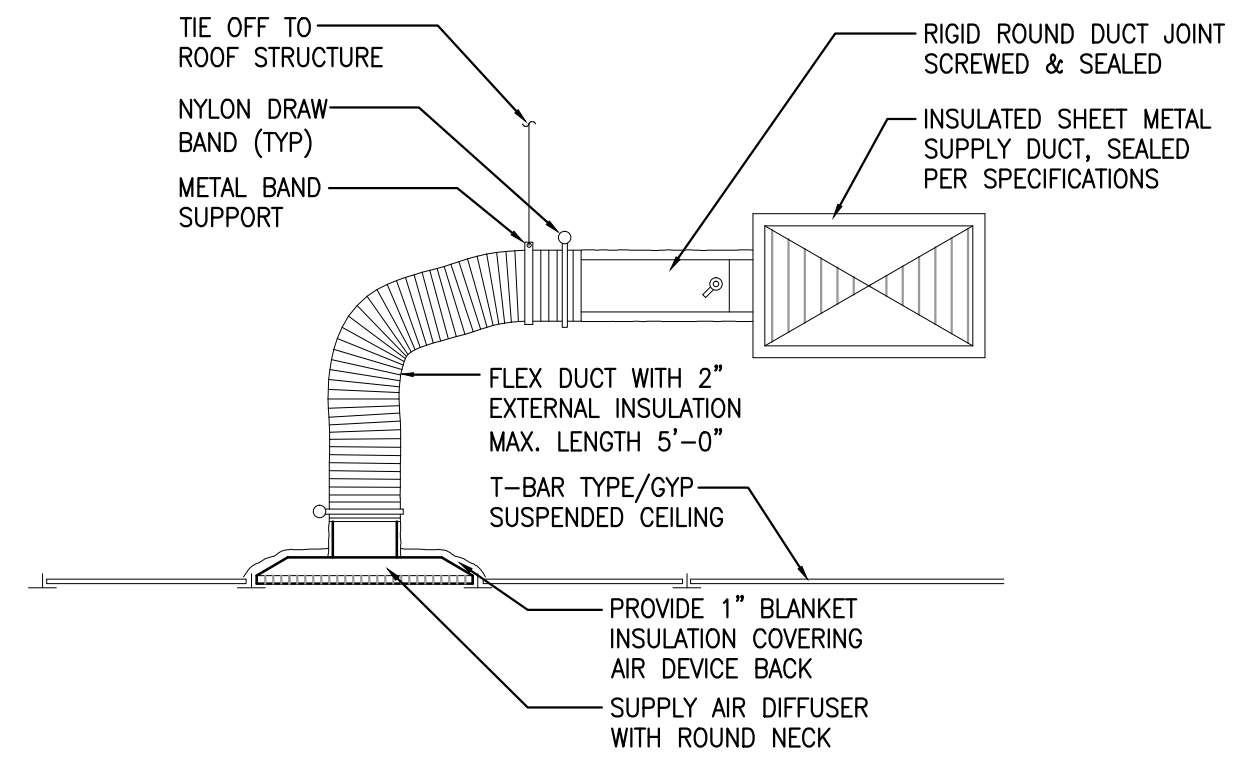
TYPE 2 KITCHEN UPBLAST EXHAUST FAN DETAIL
SCALE: NONE

2



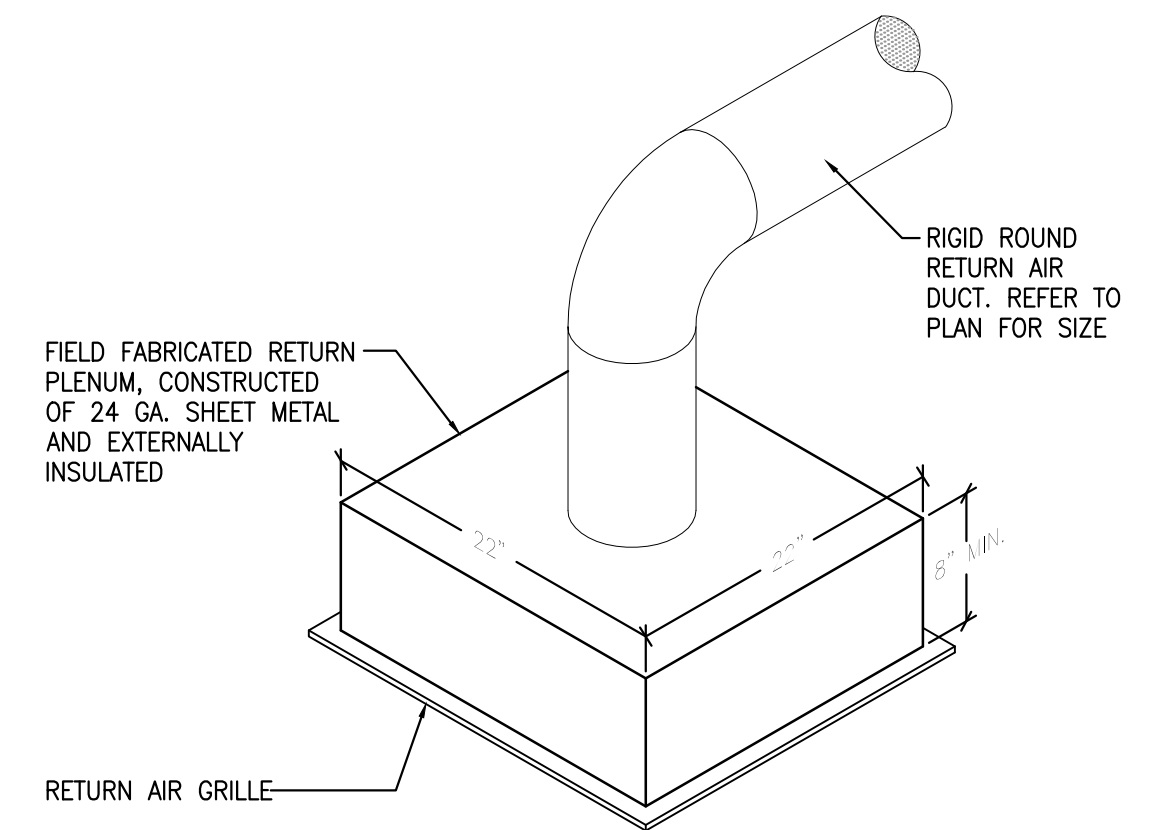
BRANCH TAKE-OFF FITTING DETAIL
SCALE: NONE

3



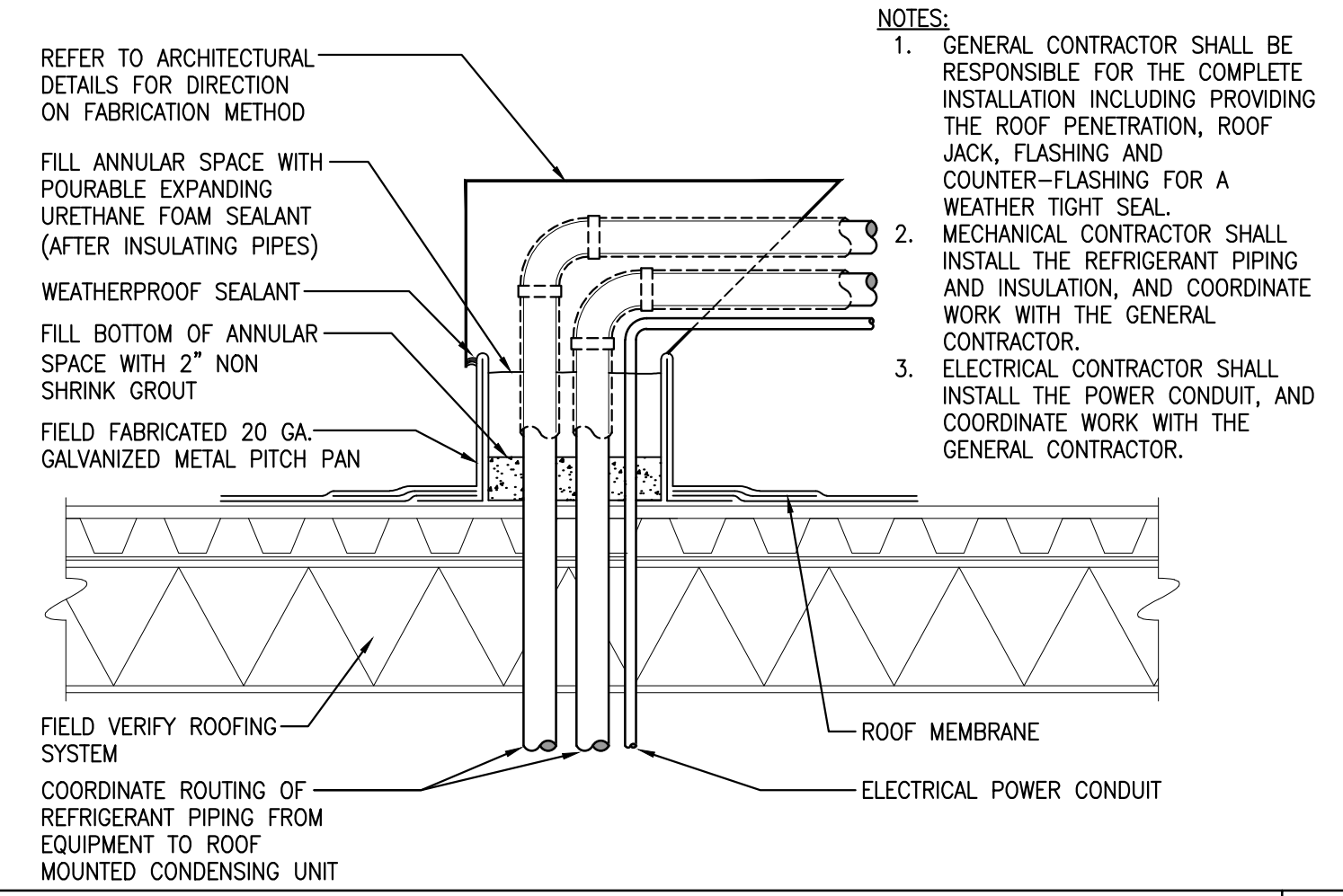
CEILING MOUNTED SUPPLY AIR DIFFUSER DETAIL
SCALE: NONE

4



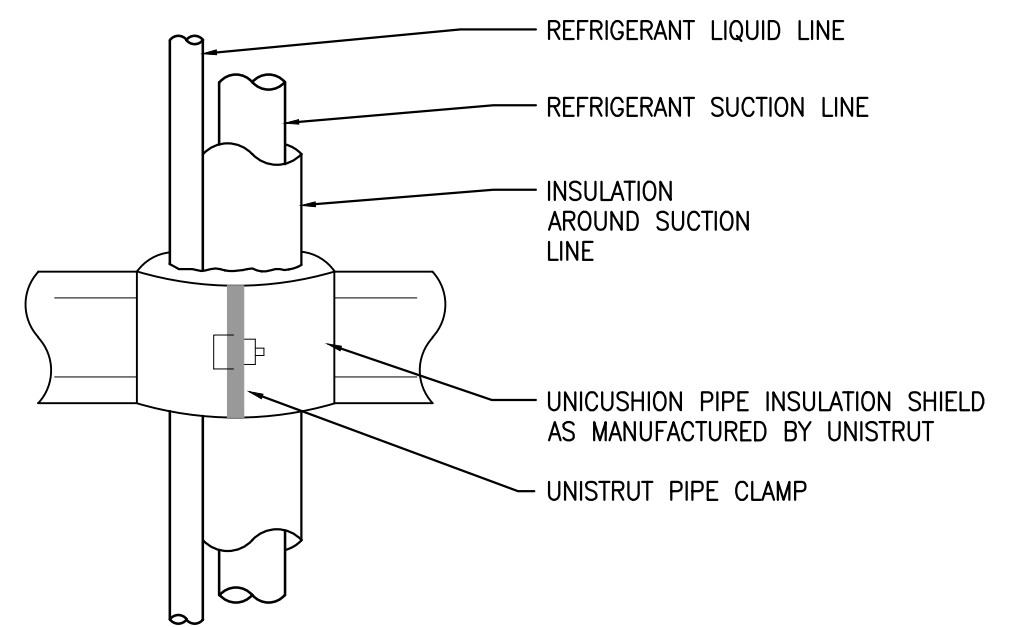
CEILING MNTD. RETURN AIR GRILLE DETAIL
SCALE: NONE

5



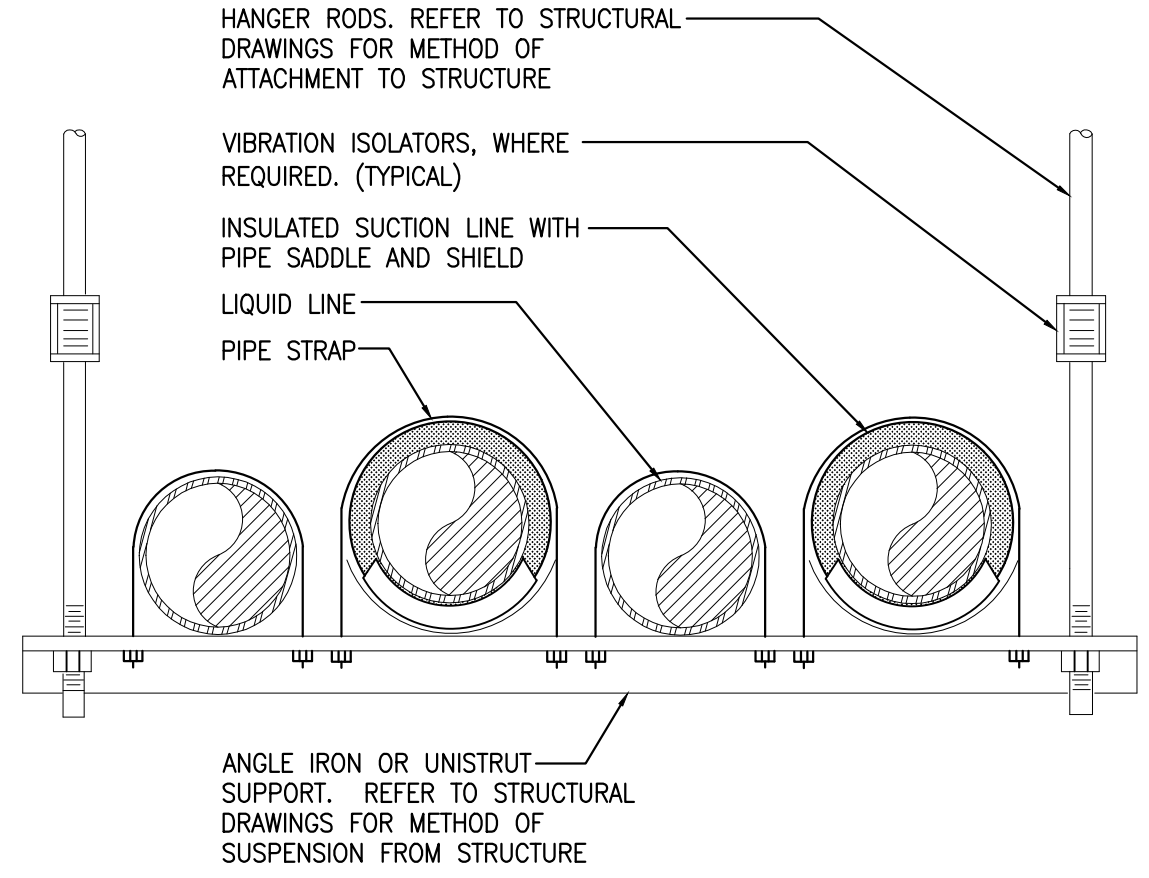
PIPING AND CONDUIT ROOF PENETRATION DETAIL
SCALE: NONE

6



VERTICAL REFRIGERANT PIPE SUPPORT DETAIL
SCALE: NONE

7



HORIZONTAL REFRIGERANT PIPE SUPPORT DETAIL
SCALE: NONE

8

NOT USED
SCALE: NONE

9

NOT USED
SCALE: NONE

10

NOT USED
SCALE: NONE

11

NOT USED
SCALE: NONE

12

NOT USED
SCALE: NONE

13

NOT USED
SCALE: NONE

14

NOT USED
SCALE: NONE

15

NOT USED
SCALE: NONE

16

ID STUDIO 4, LLC
1431 GREENWAY DR. SUITE 150
IRVING, TEXAS 75038
TEL: 972.870.1288
WWW.IDSTUDIO4.COM

CLIENT:
FOCUS Brands
301 S. CONGRESS AVE., STE 11000
AUSTIN, TX 78701
512.236.3600
www.focusbrands.com

TBPE FIRM REGISTRATION# F-11678

NOT FOR CONSTRUCTION!
BRIAN EDWARD CHANDLER
LICENSED ARCHITECT
83800
12-15-11

SCHLOTZSKY'S DELI
THE TRAILS AT 620
8300 N. FM 620 STE 103
AUSTIN, TX 78726
CLIENT: FOCUS Brands
301 S. CONGRESS AVE. STE 11000
AUSTIN, TX 78701

Schlottsky's
EVERY BITE
LOTZ BETTER

DATE	DESCRIPTION
11.21.11	ISSUE FOR PERMIT
12.16.11	ISSUE FOR BID

DATE	DESCRIPTION

DATE	DESCRIPTION

SHEET TITLE:
**MECHANICAL
DETAILS**

SHEET NUMBER:
M3.0

PROJECT NUMBER:
FOC11003