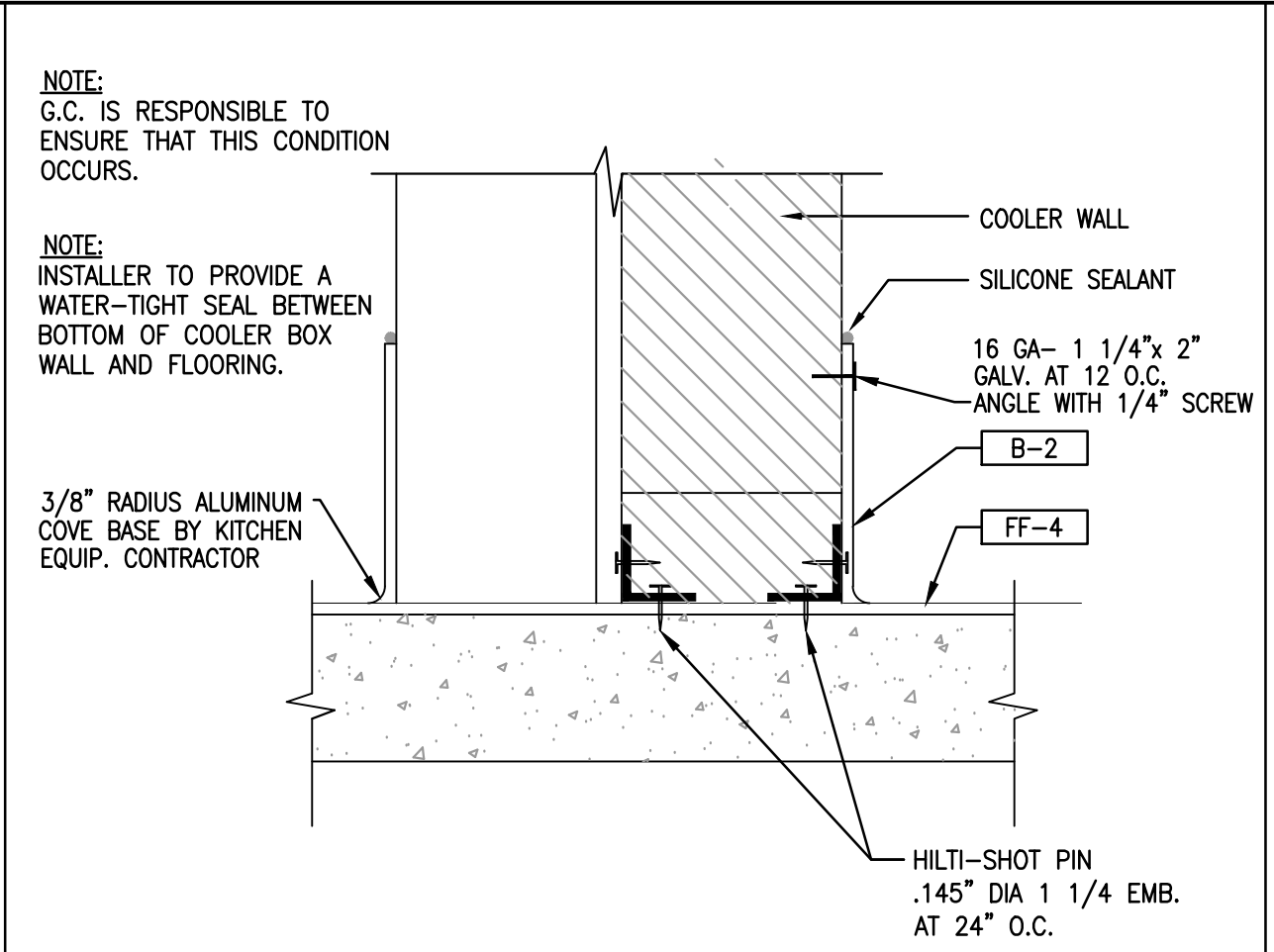
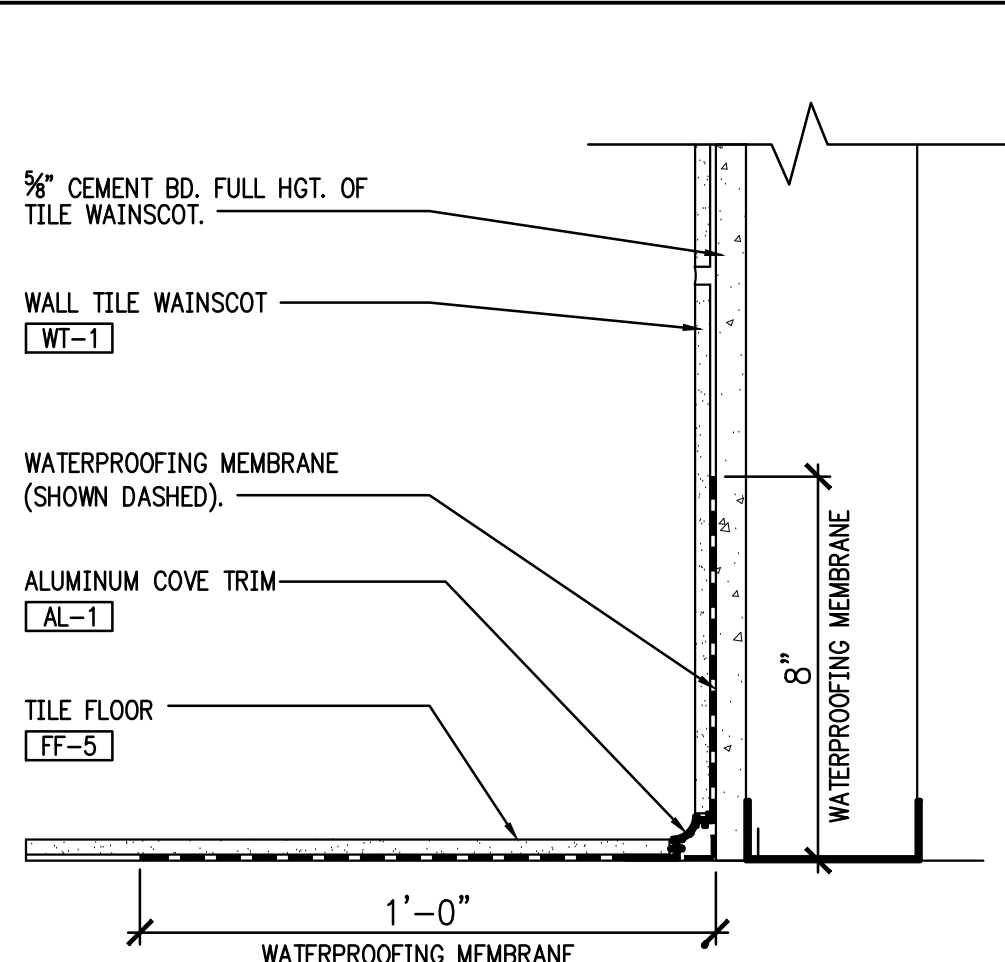


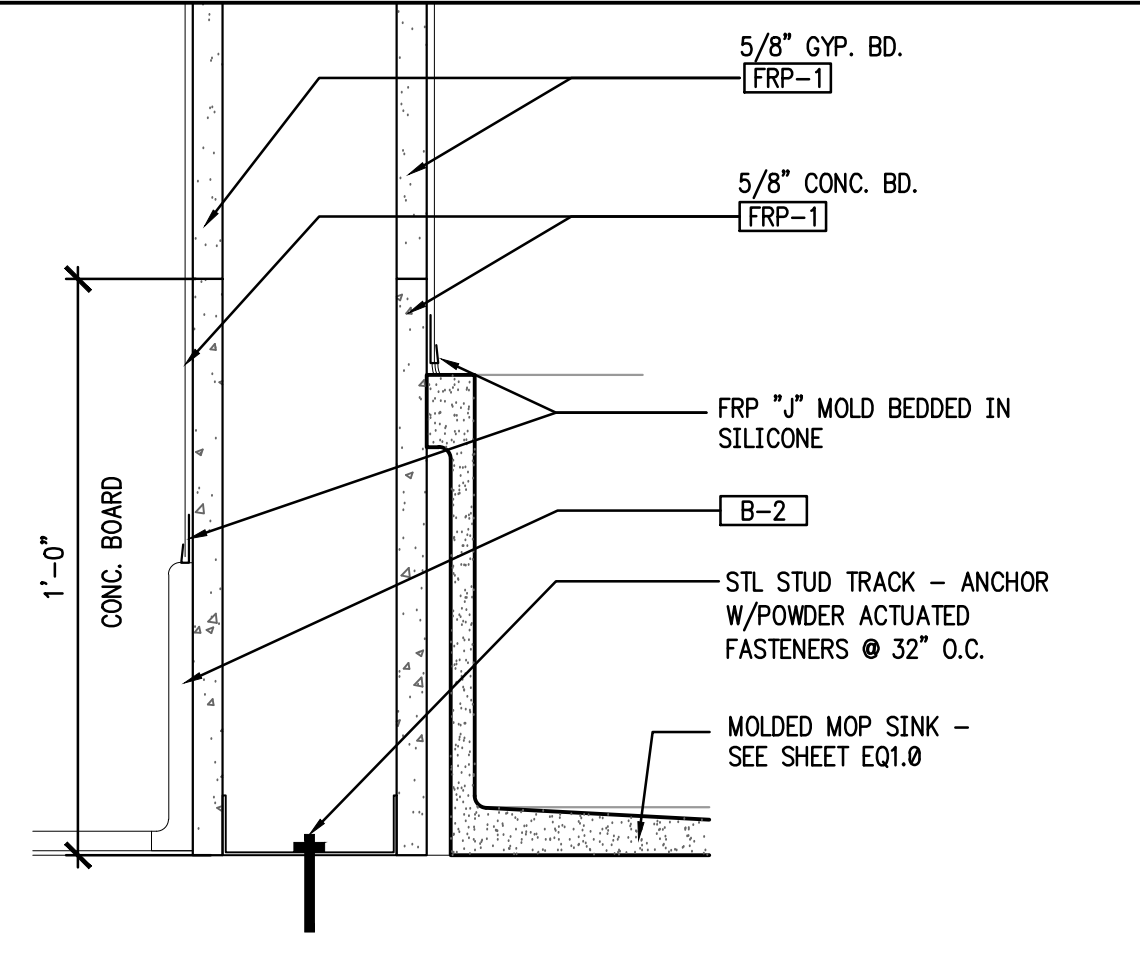
FLOOR SINK DETAIL
N.T.S. 1



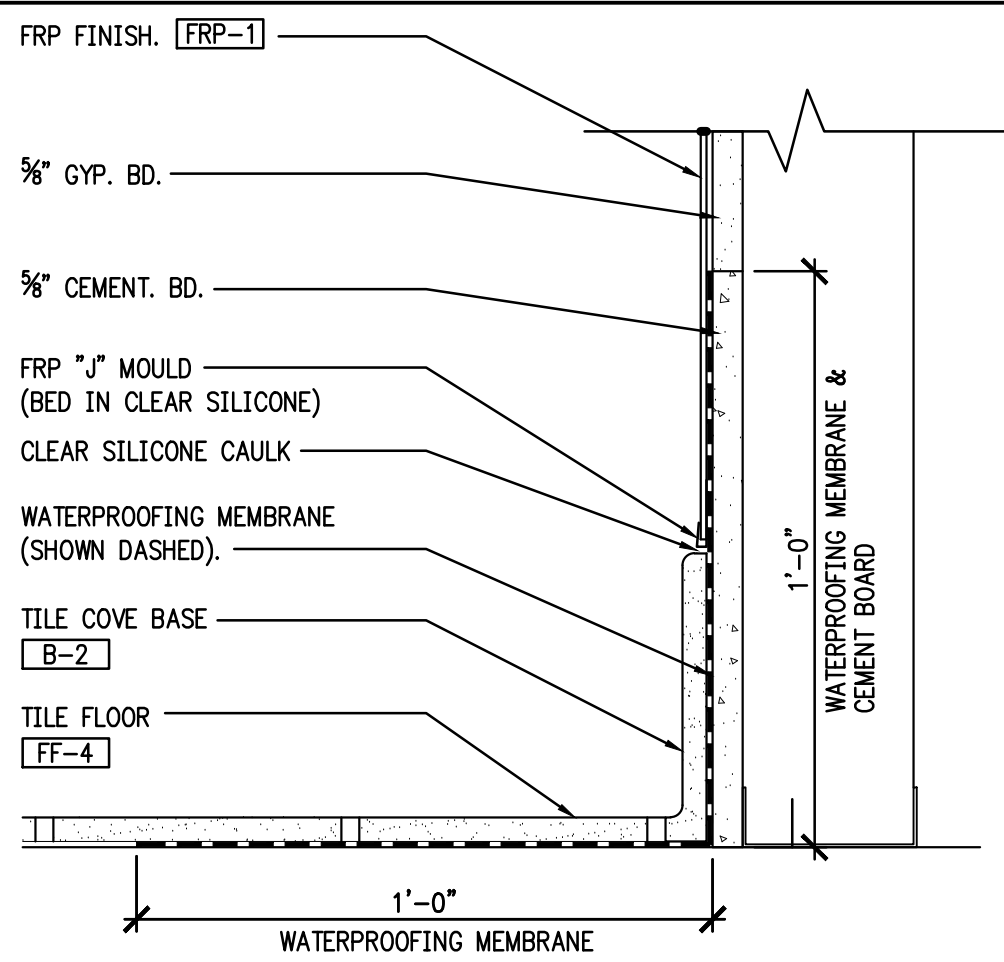
WALK-IN COOLER BASE DETAIL
N.T.S. 2



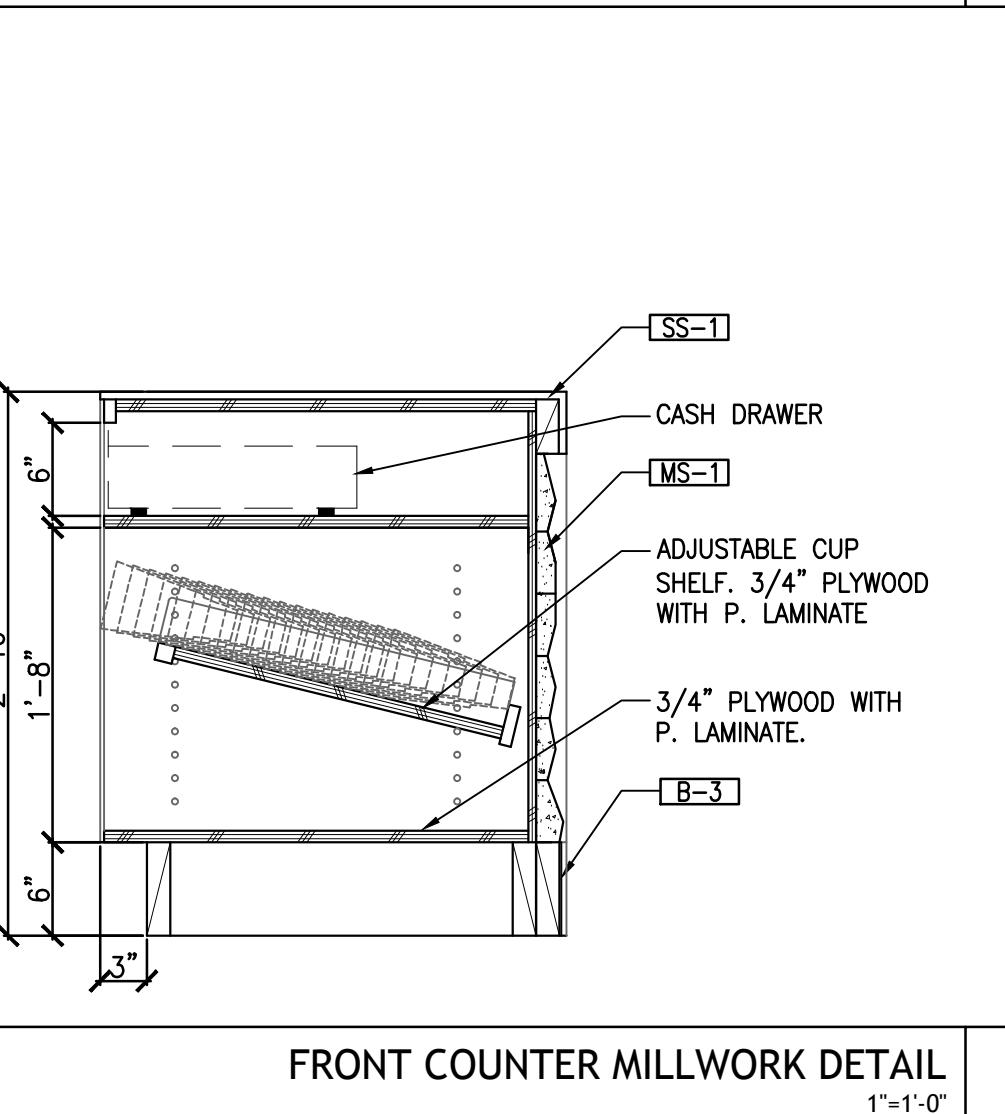
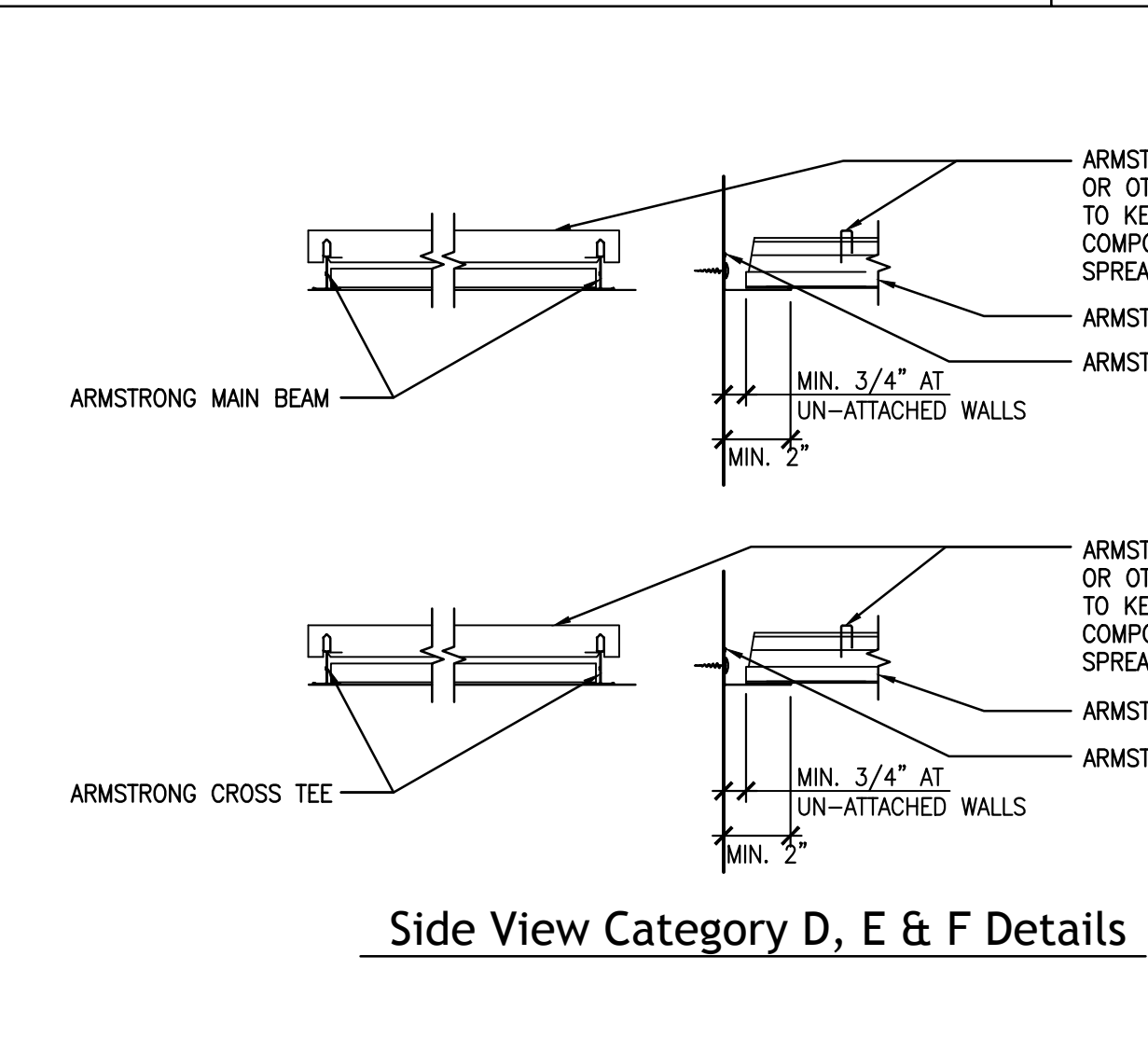
BATHROOM BASE DETAIL
3'-1'-0" 3



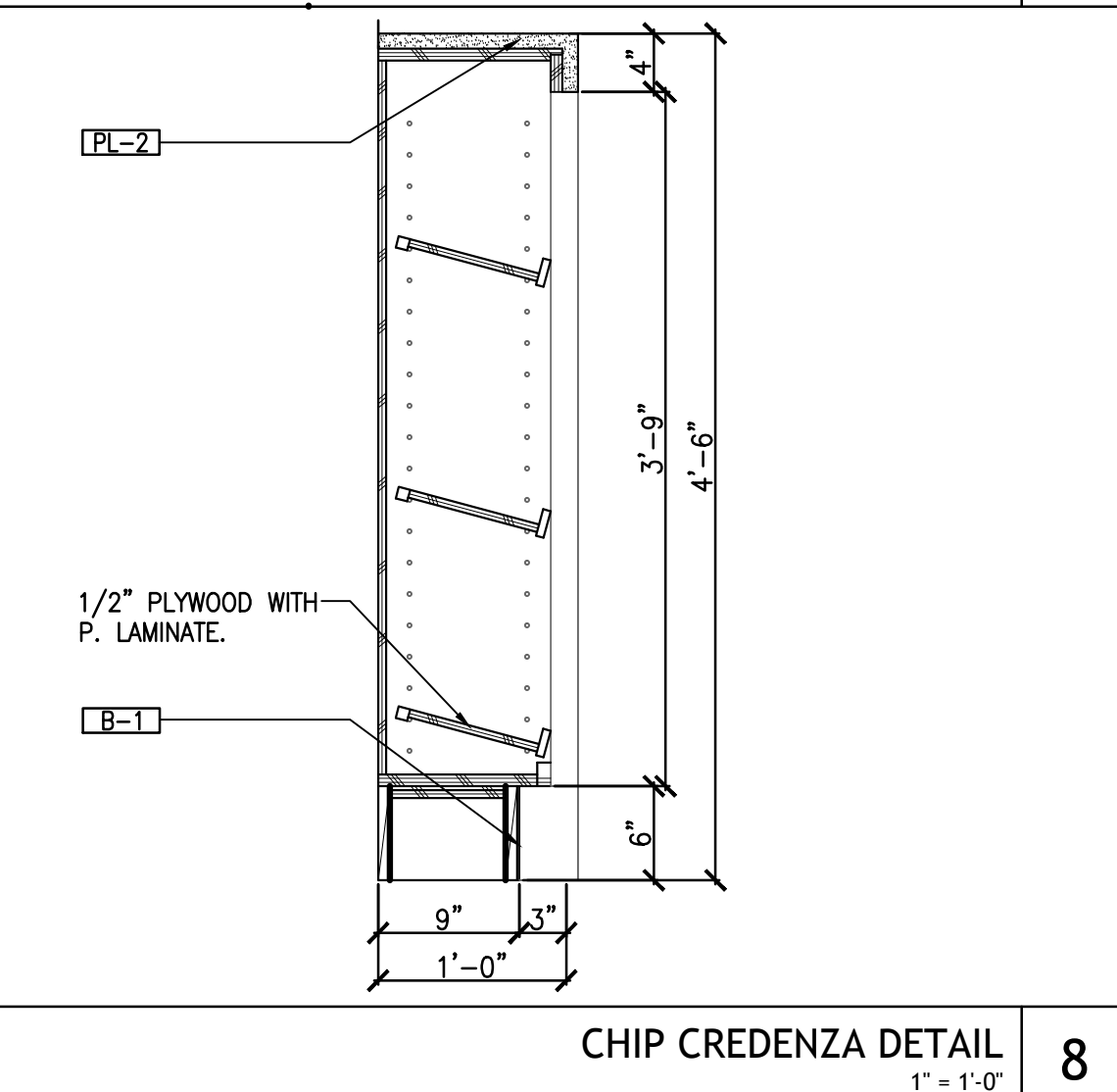
BASE AT MOP SINK
1'-1'-0" 4



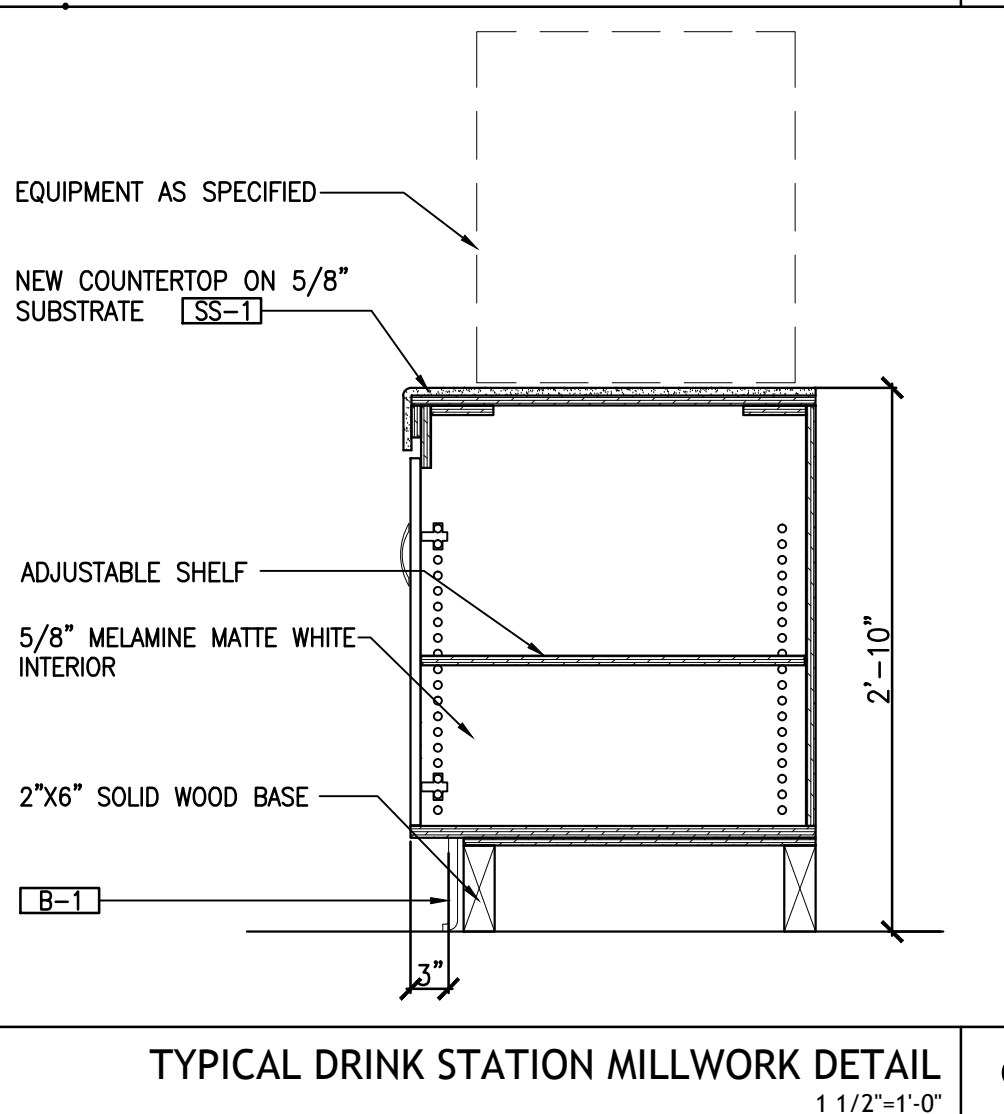
KITCHEN COVE BASE
3'-1'-0" 5



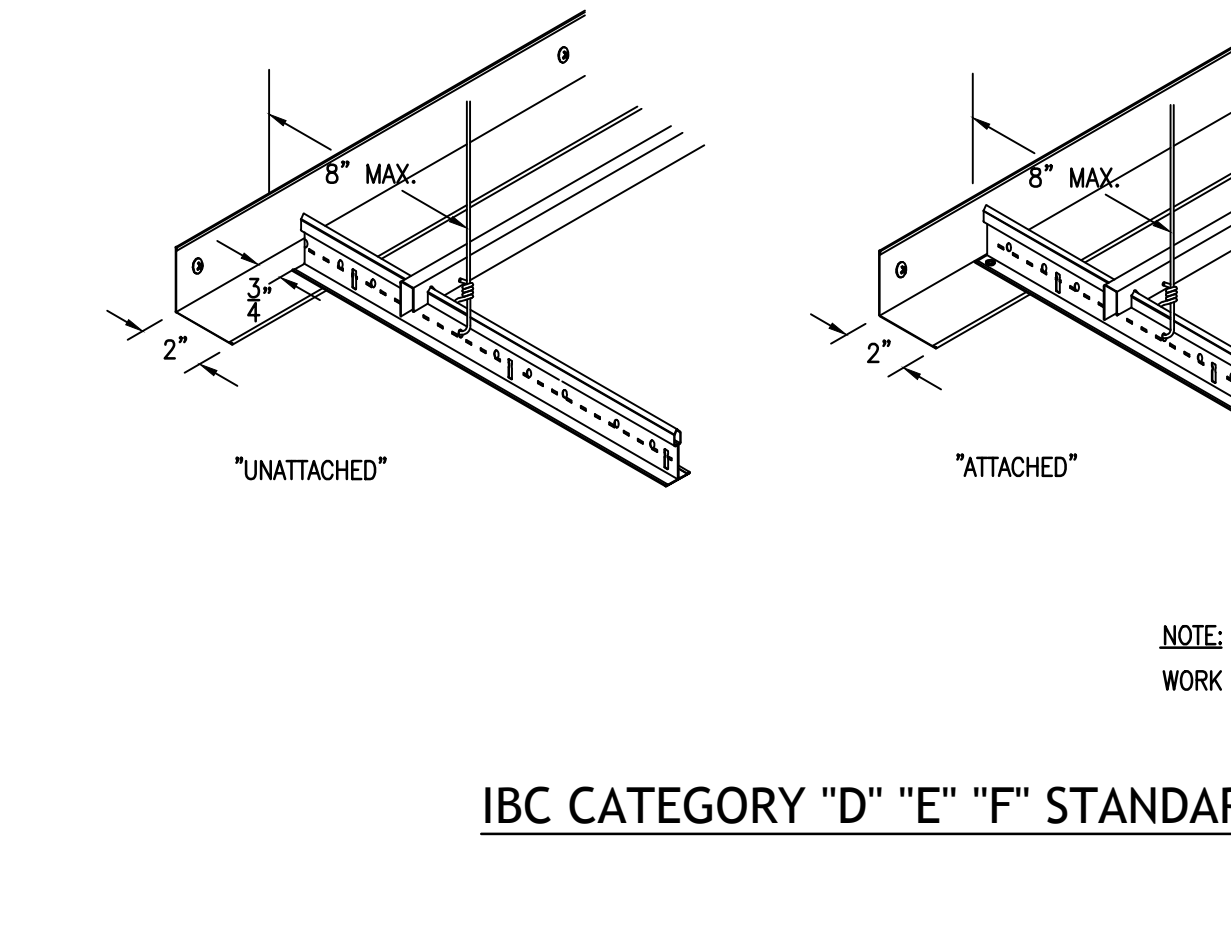
FRONT COUNTER MILLWORK DETAIL
1'-1'-0" 7



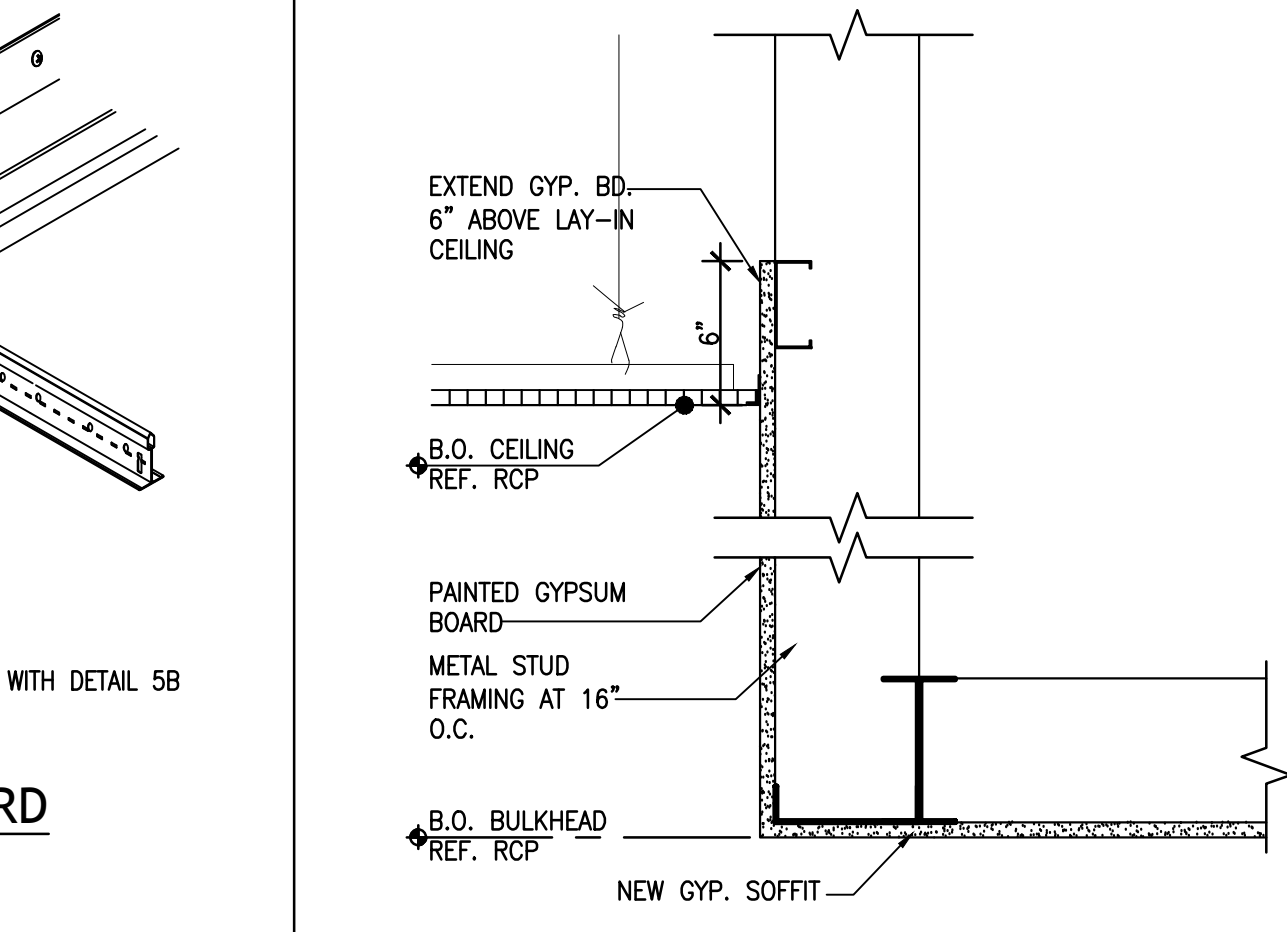
CHIP CREDEZA DETAIL
1'-1'-0" 8



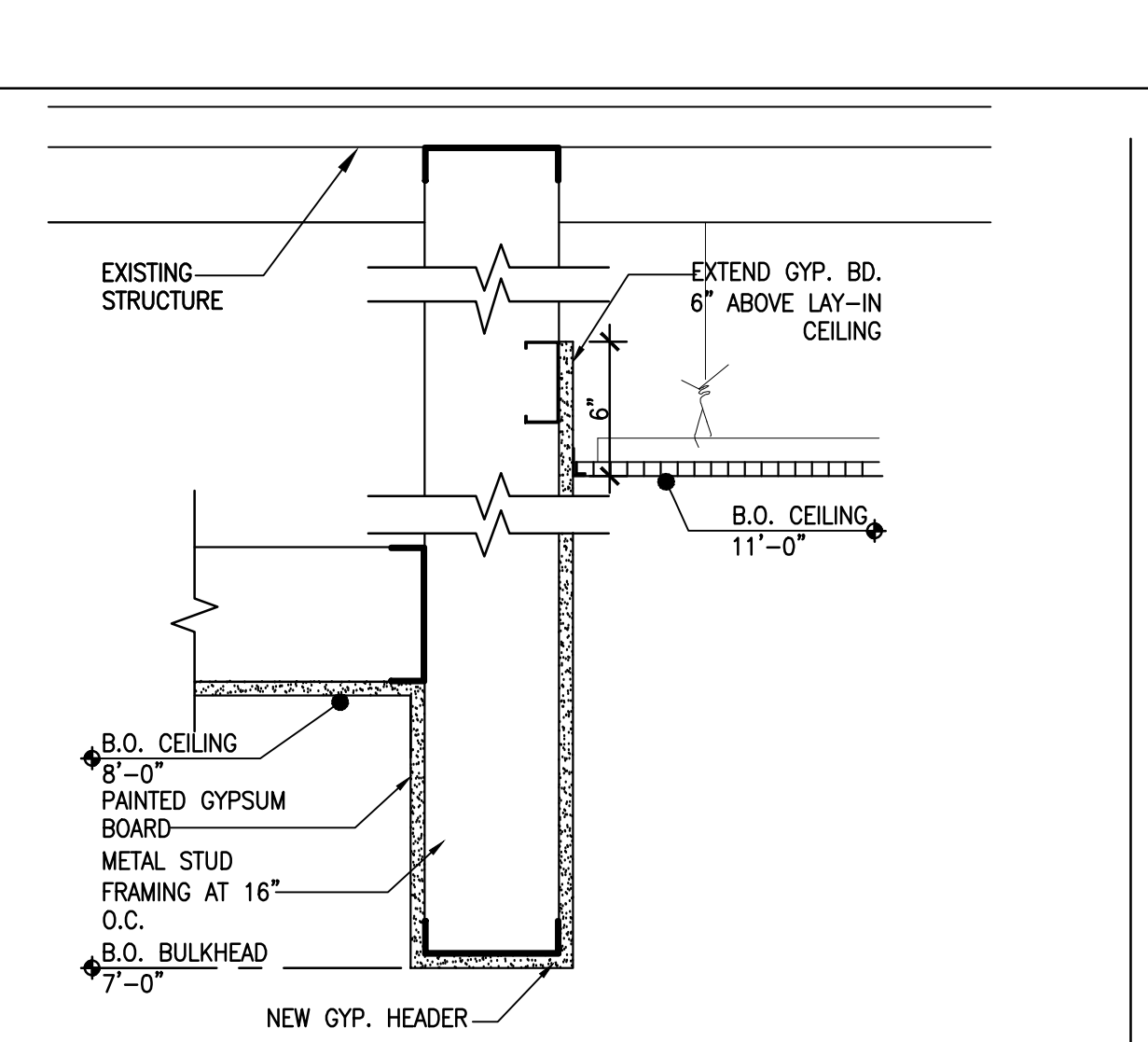
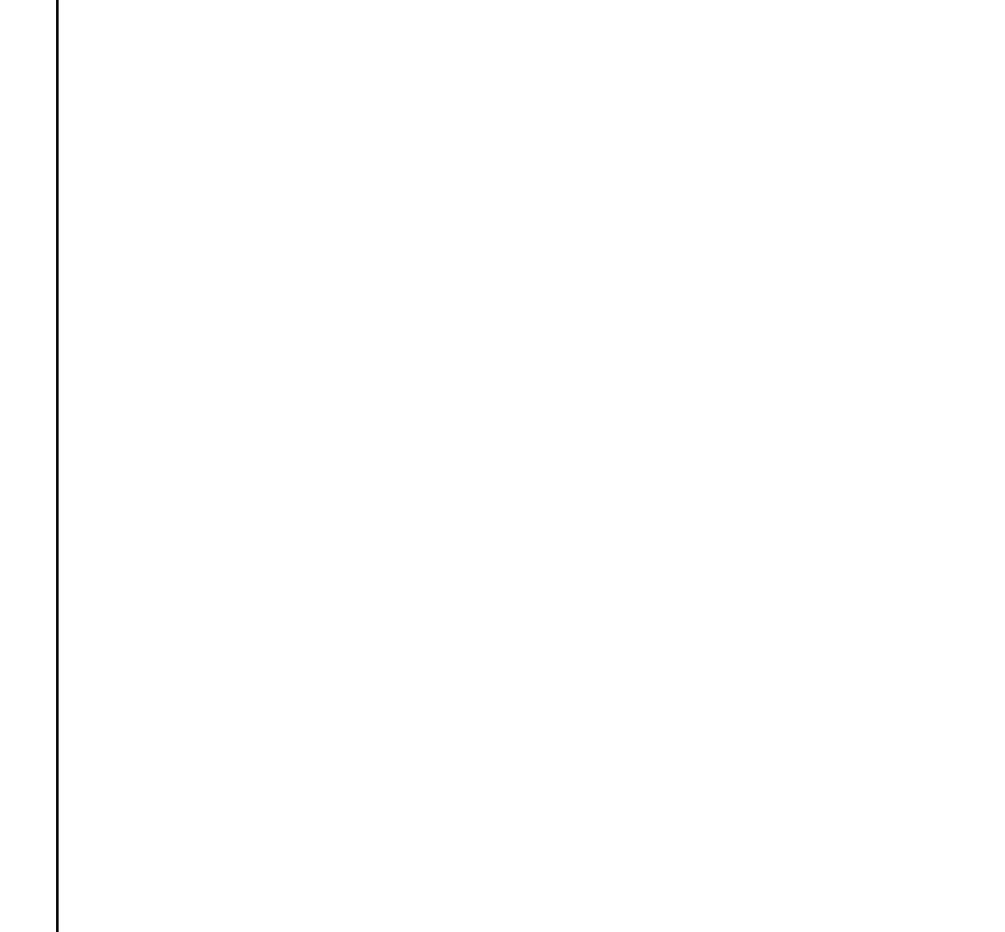
TYPICAL DRINK STATION MILLWORK DETAIL
1 1/2'-1'-0" 9



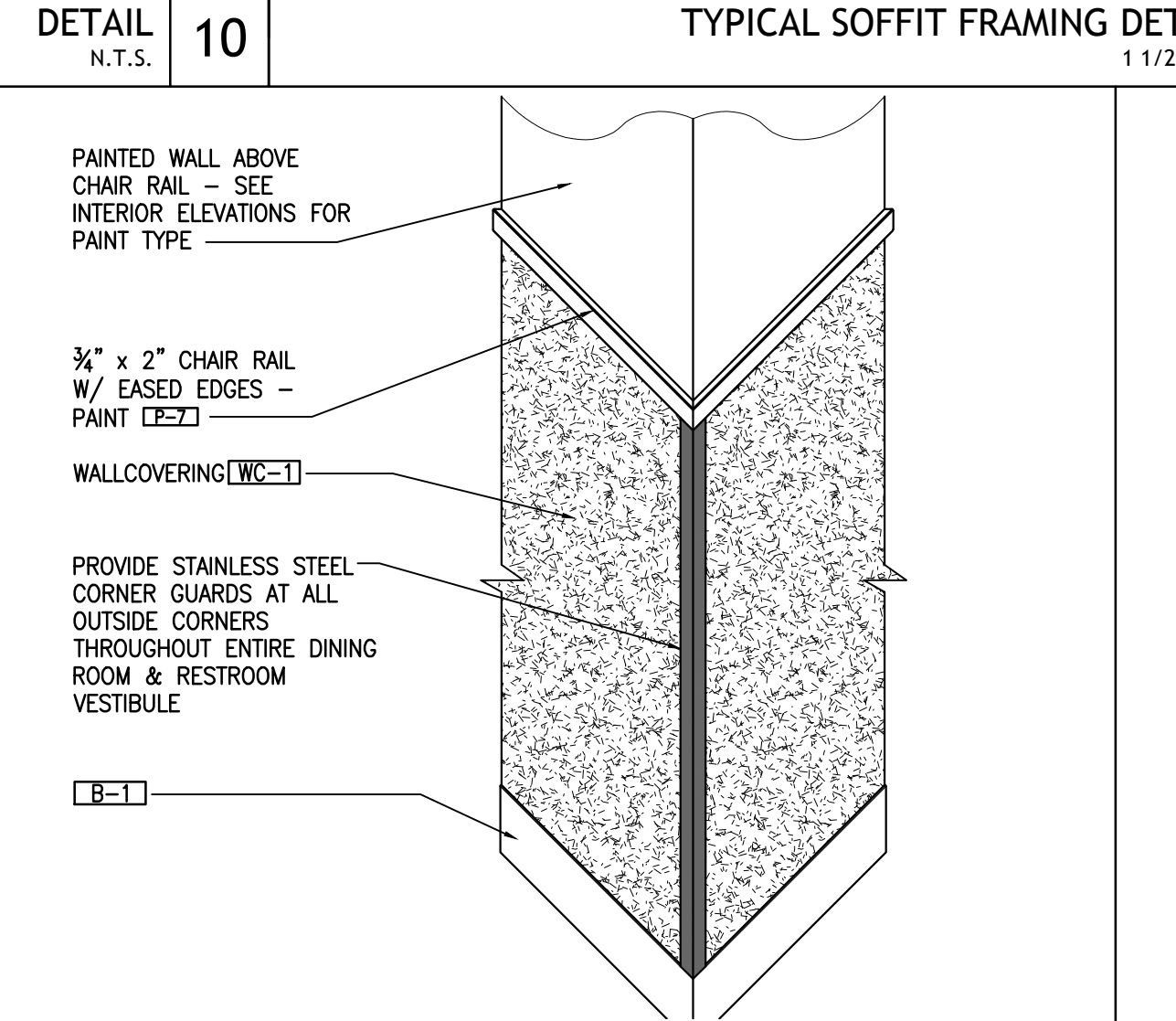
IBC CATEGORY "D" "E" "F" STANDARD



TYPICAL SOFFIT FRAMING DETAIL
1 1/2'-1'-0" 11



TYPICAL HEADER DETAIL
1 1/2'-1'-0" 13



CHAIR RAIL DETAIL
3/4'-1'-0" 14

ID STUDIO 4, LLC
1431 GREENWAY DR, SUITE 150
IRVING, TEXAS 75038
TEL: 972.870.1288
WWW.IDSTUDIO4.COM

CLIENT:
FOCUS Brands
301 S. CONGRESS AVE., STE 11000
AUSTIN, TX 78701
512.236.3600
www.focusbrands.com

NOT FOR CONSTRUCTION/
BID ONLY

12-15-11

**SCHLOTZSKY'S DELI
THE TRAILS AT 620**
8300 N. FM 620 STE 103
AUSTIN, TX 78726
CLIENT: FOCUS Brands
301 S. CONGRESS AVE. STE 11000
AUSTIN, TX 78701



DATE	DESCRIPTION
11.21.11	ISSUE FOR PERMIT
12.16.11	ISSUE FOR BID

DATE	DESCRIPTION

SHEET TITLE:
DETAILS

SHEET NUMBER:
A3.0

PROJECT NUMBER:
FOC11003