

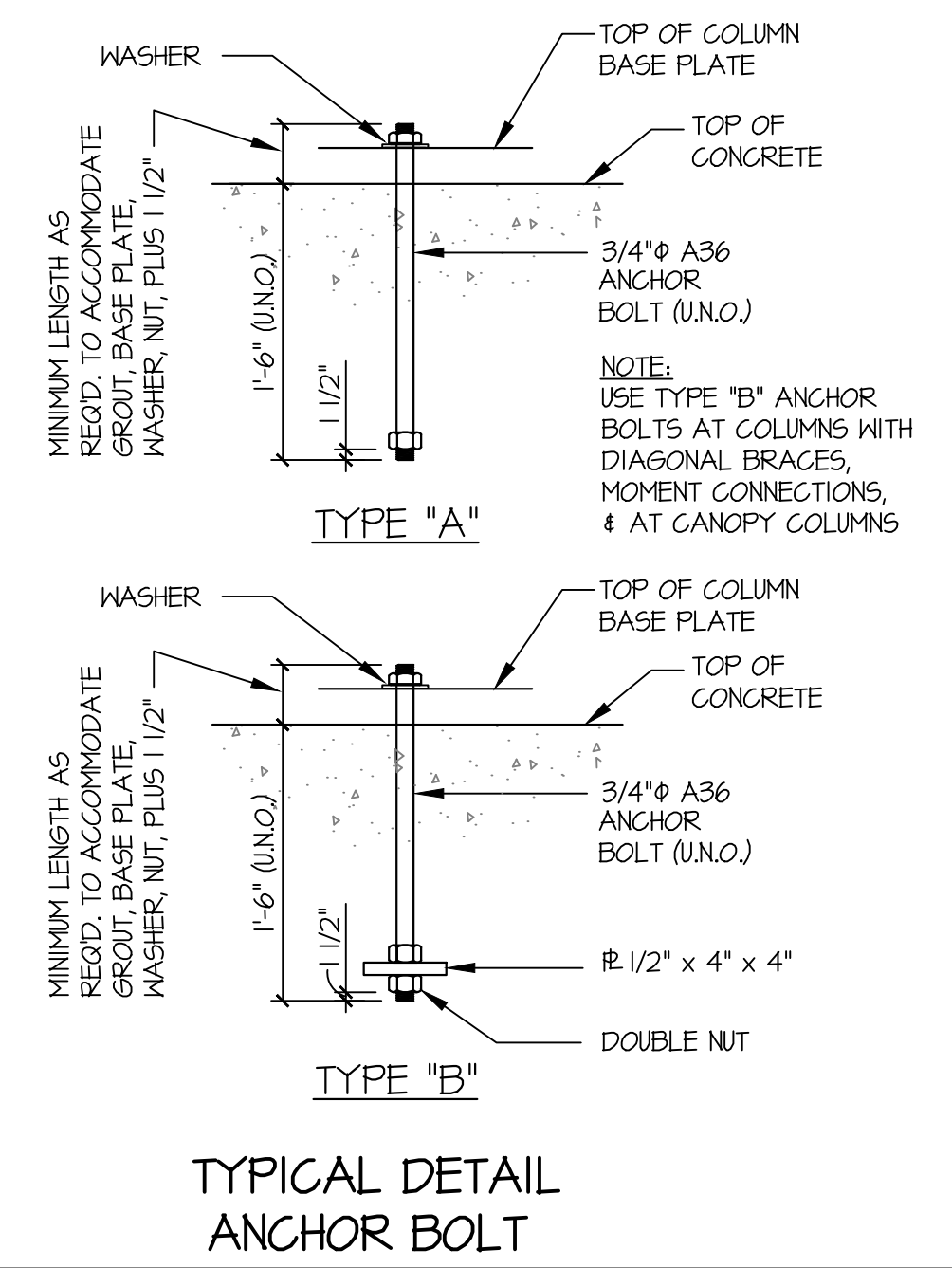
Shaw's Jewelers
 West Gray
 1021 West Gray Ave.
 Houston, Texas

Shaw's Jewelers
 1014 West Gray Street
 Houston, Texas 77019

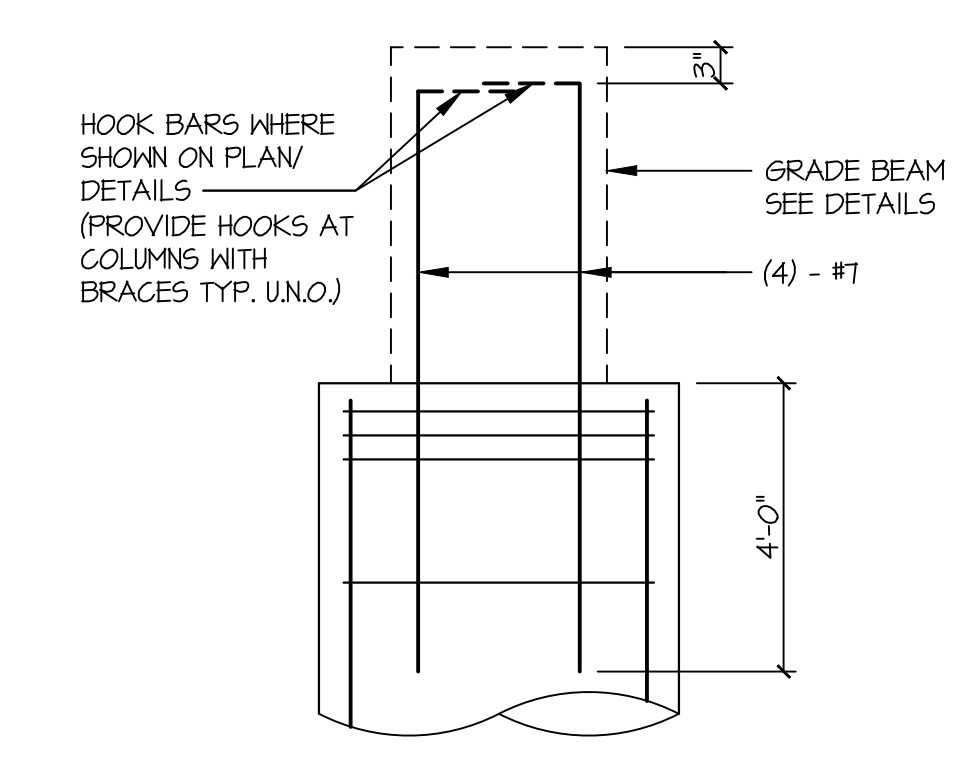
| | |
|-------------|------------|
| DATE | 08.31.2011 |
| PROJECT NO. | 1102100 |
| DRAWN BY | KN |
| CHECKED BY | MH |

FOUNDATION DETAILS

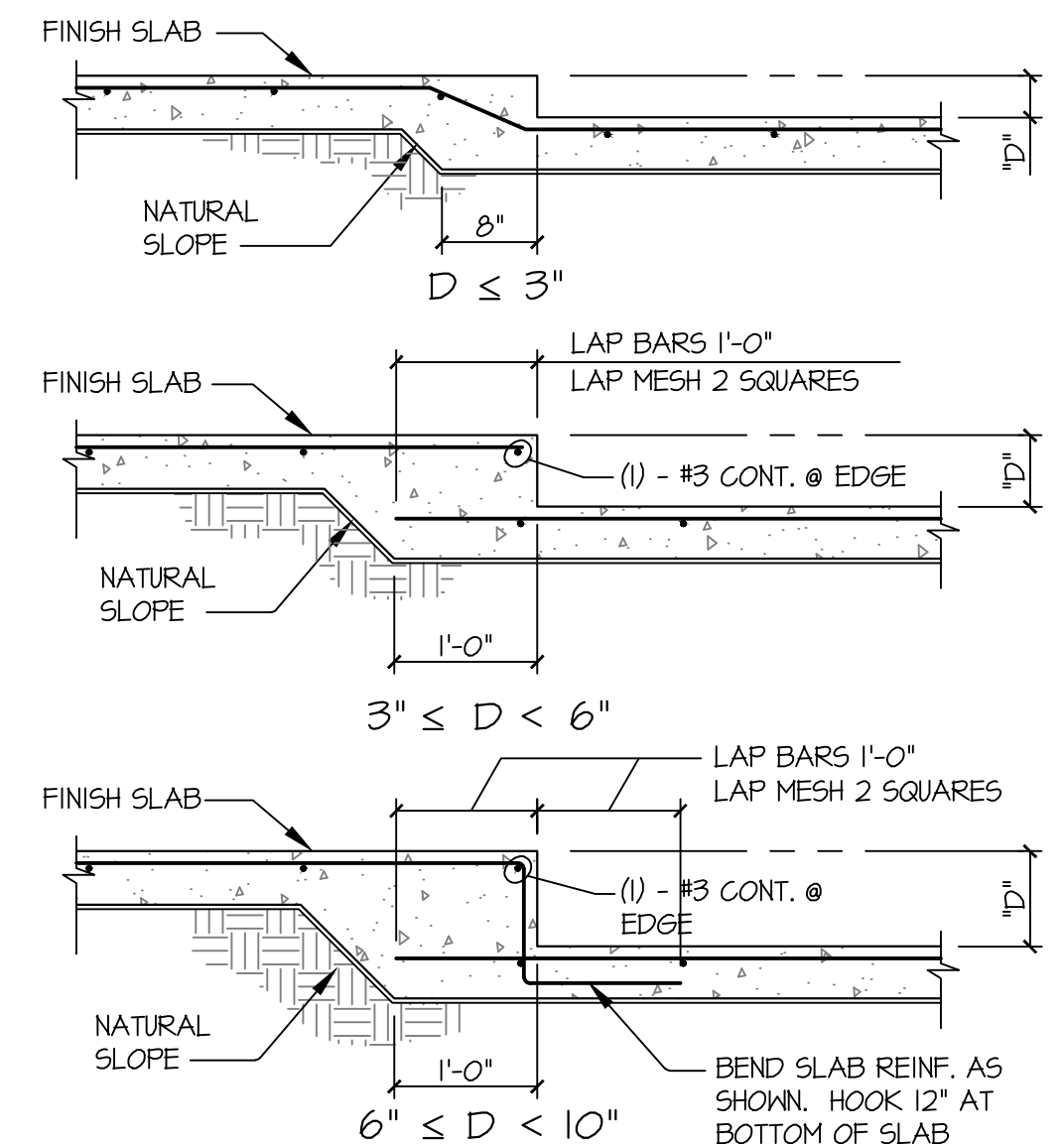
S3.2



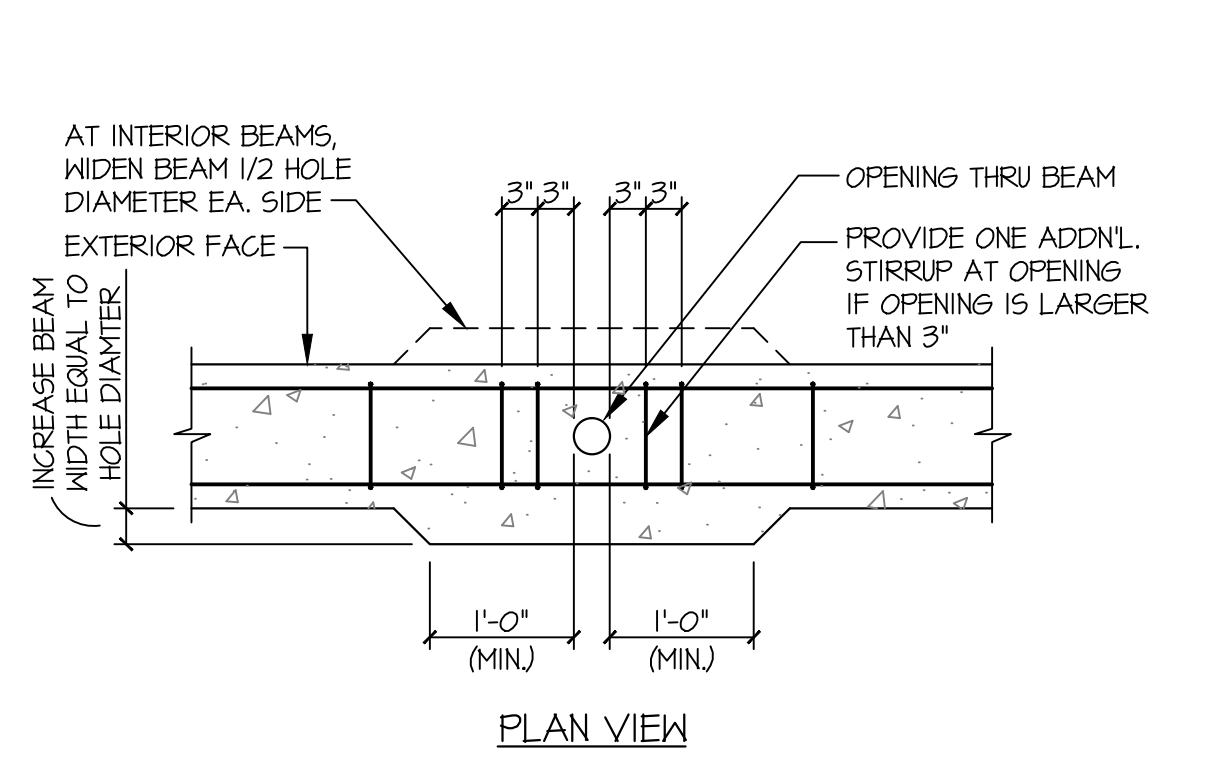
NO SCALE 3



NO SCALE 2



NO SCALE 1

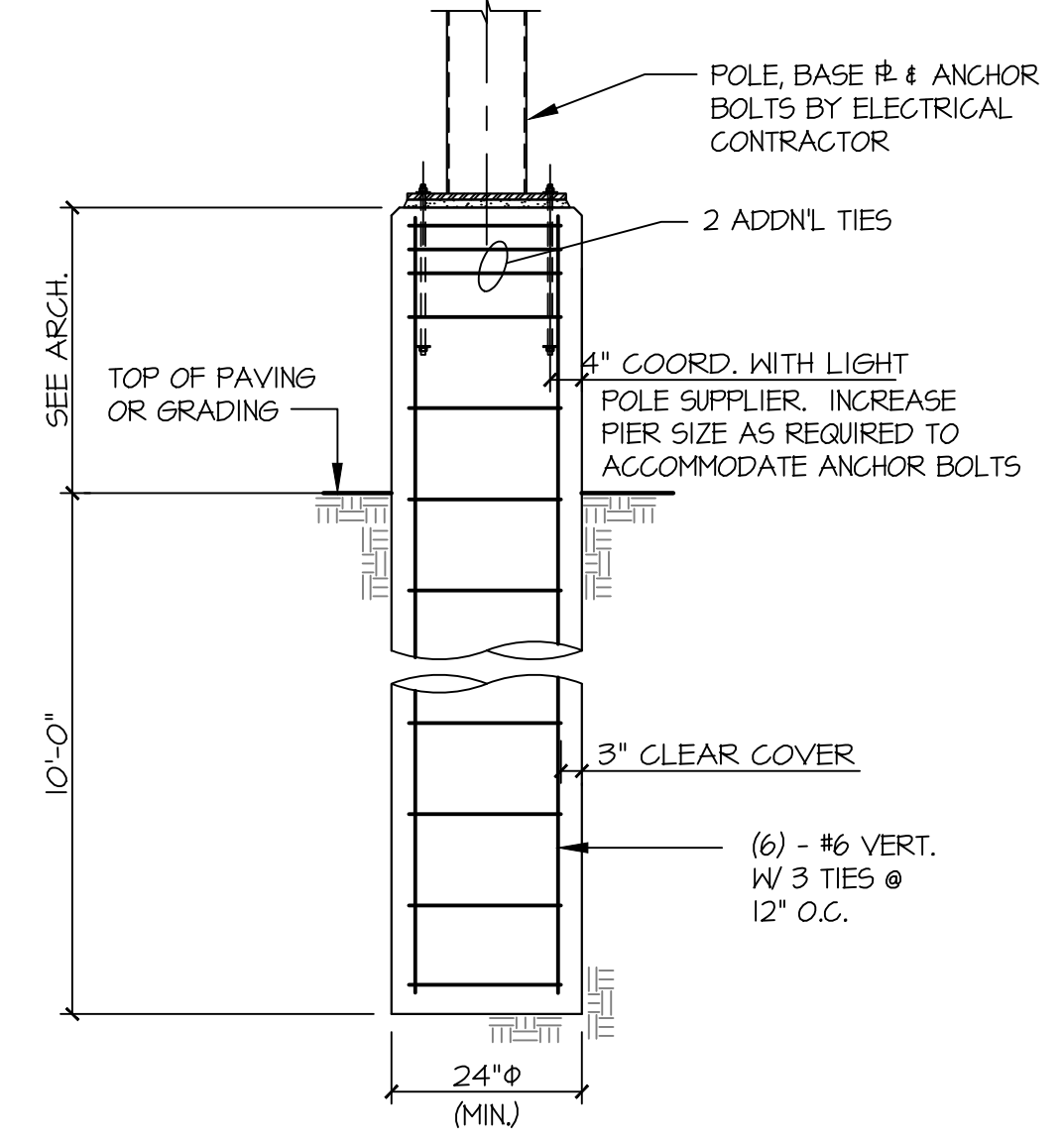


TYPICAL DETAIL
 VERTICAL HOLE THRU GRADE BEAM
 LARGER THAN 3" DIAMETER

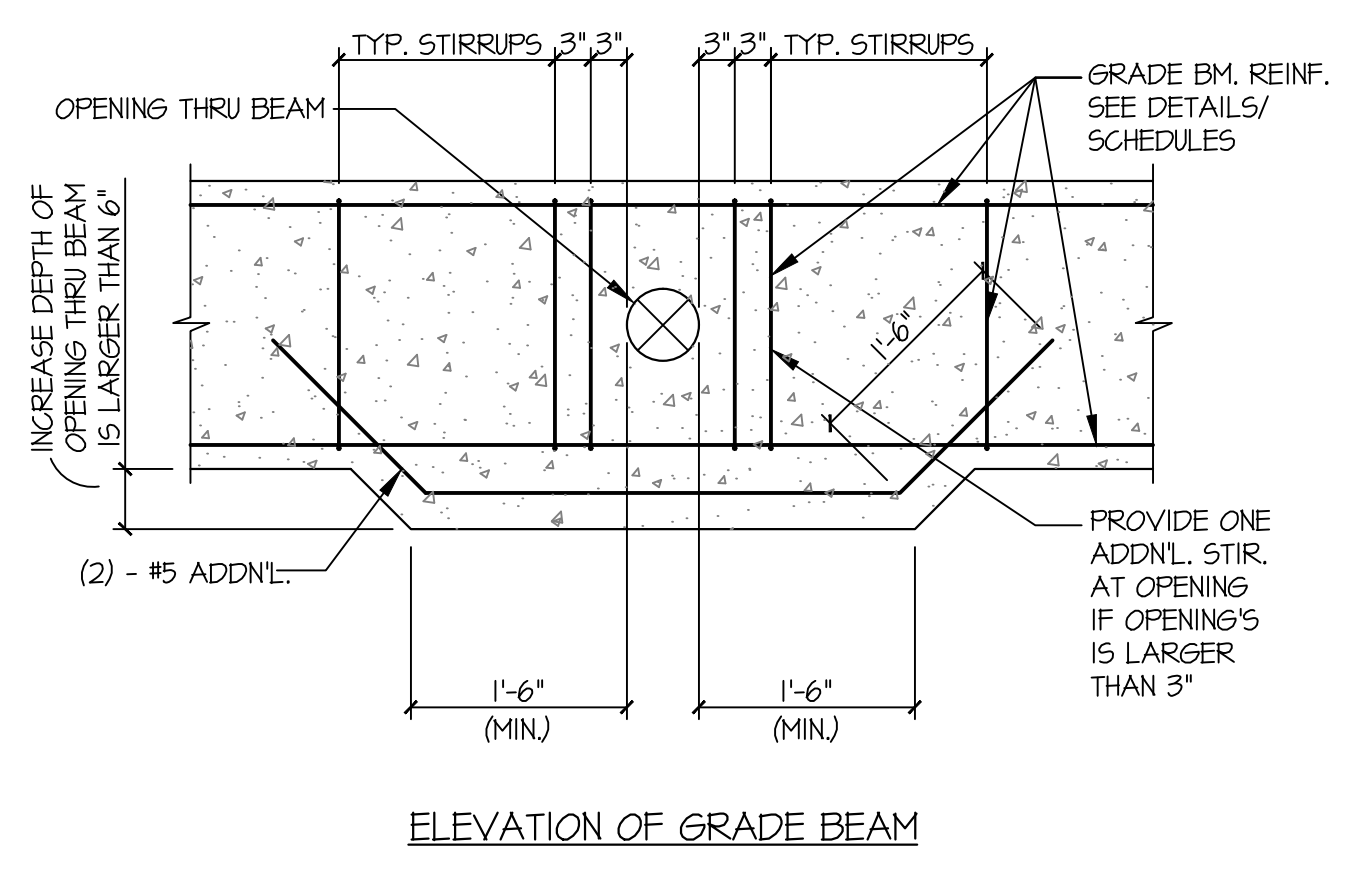
NO SCALE 6

NOTES:

- CONCRETE SHALL HAVE A 28 DAY COMPRESSIVE STRENGTH OF 3000 PSI WITH A MAXIMUM AGGREGATE SIZE OF 3/4" AND A MAXIMUM WATER / CEMENT RATIO OF 0.54.
- ALL REINFORCEMENT SHALL CONFORM TO ASTM A615, GR. 60.
- ASSUMPTIONS FOR FOUNDATION DESIGN INCLUDE A 10', 40 FT. POLE W/ FIXTURES AND A MAXIMUM EQUIV. PROJECTED AREA OF 10.6 sq. ft.
- SEE ELECTRICAL DRAWINGS AND SPECIFICATIONS FOR ADDITIONAL INFORMATION AND REQUIREMENTS.

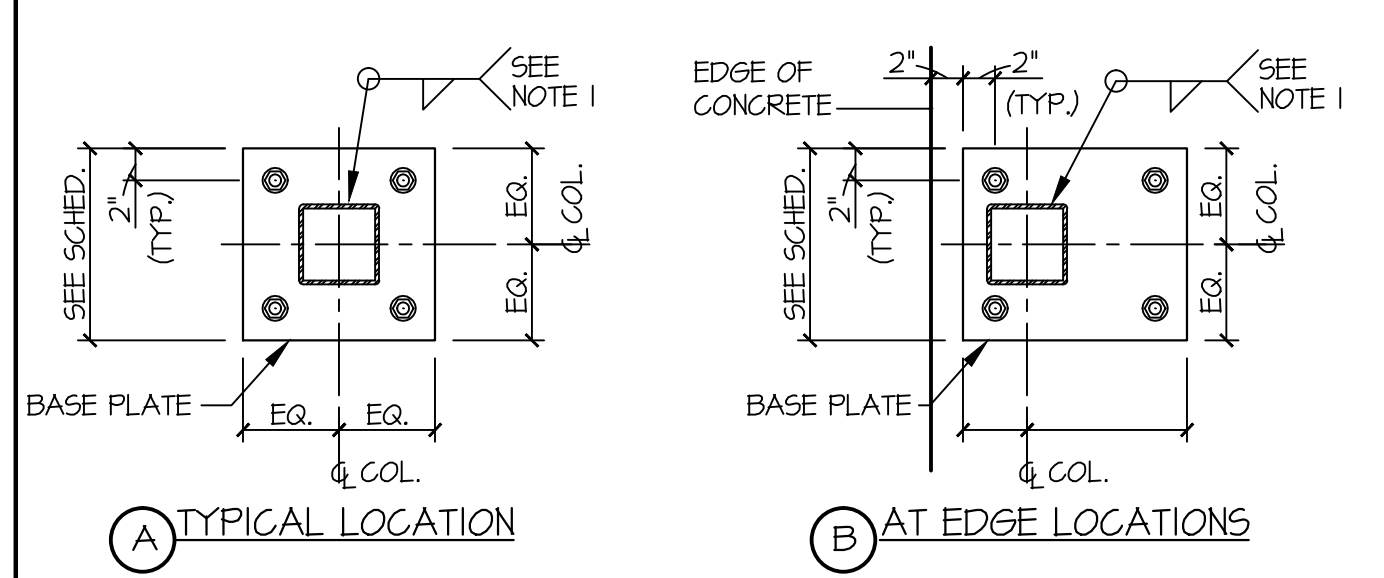


NO SCALE 5



TYPICAL DETAIL
 OPENING THRU GRADE BEAM

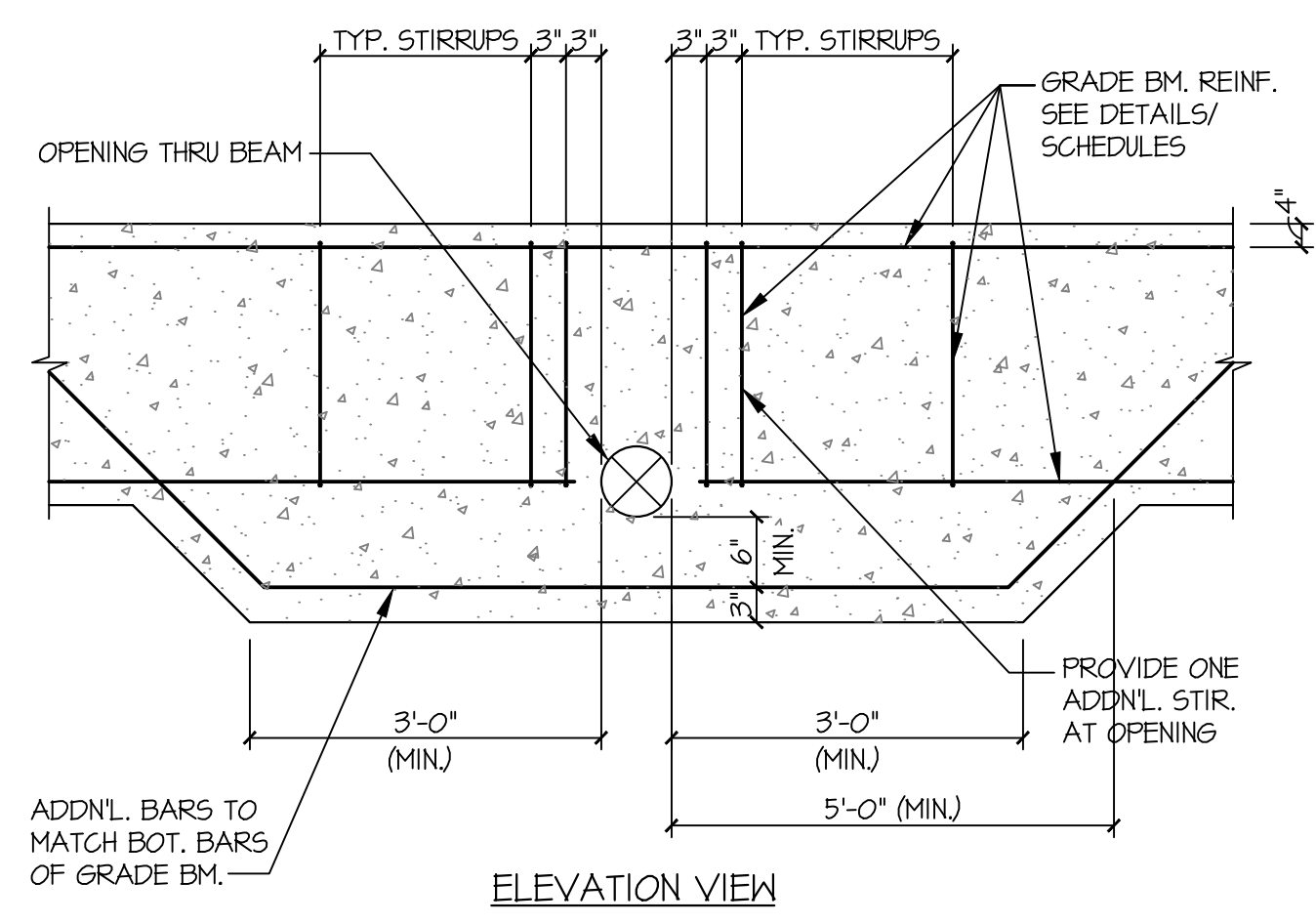
NO SCALE 4



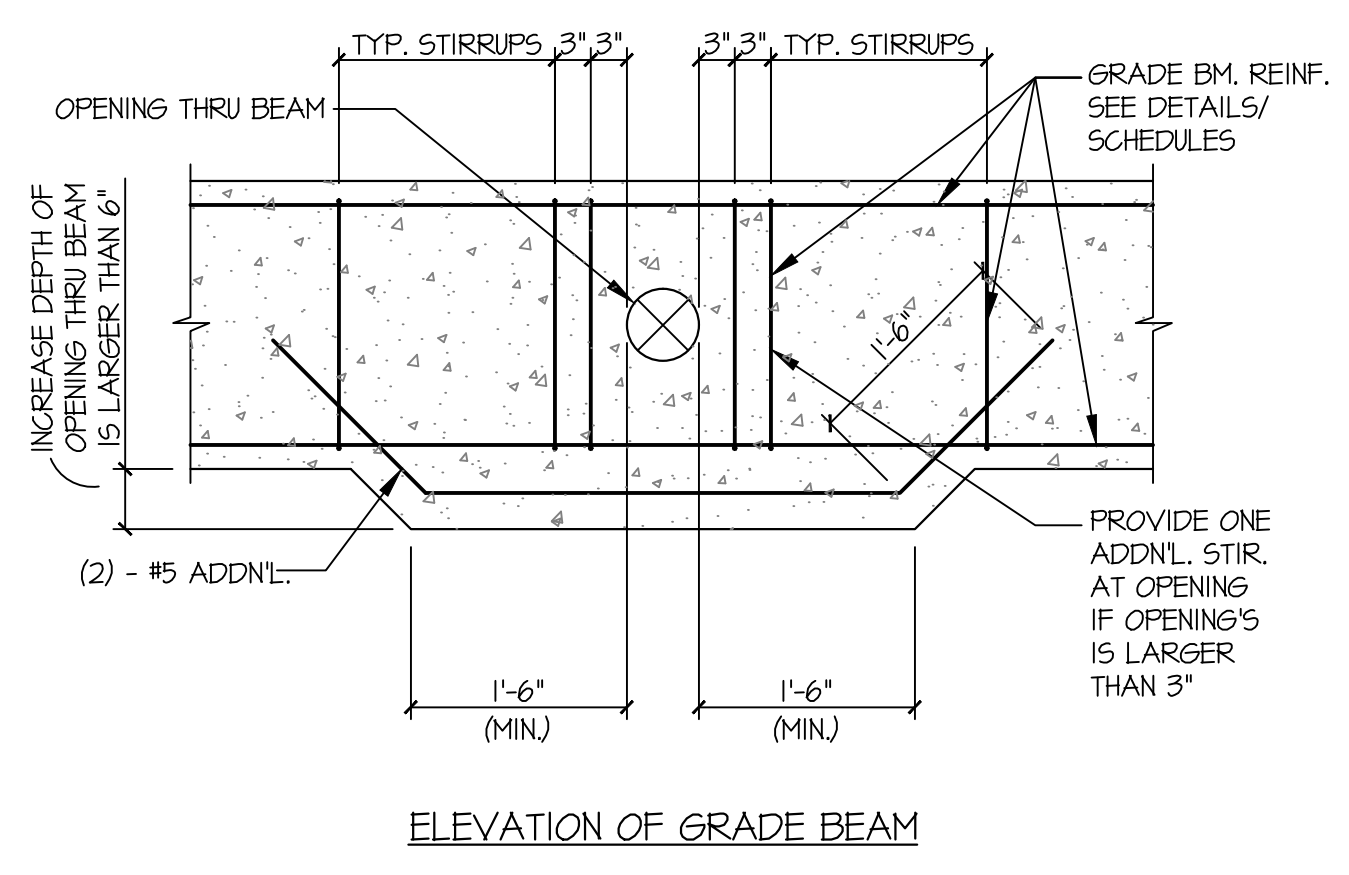
| COLUMN | BASE PLATE | ANCHOR BOLTS |
|-------------------|------------------|-----------------|
| HSS 3 1/2 x 3 1/2 | 10" x 10" x 3/4" | (4)-3/4" TYPE A |
| HSS 4 x 4 | 12" x 12" x 3/4" | (4)-3/4" TYPE A |
| HSS 5 x 5 | 12" x 12" x 3/4" | (4)-3/4" TYPE A |
| HSS 6 x 6 | 14" x 14" x 3/4" | (4)-3/4" TYPE A |
| HSS 8 x 8 | 14" x 14" x 3/4" | (4)-3/4" TYPE A |
| HSS 10 x 10 | 16" x 16" x 3/4" | (4)-3/4" TYPE B |

TYPICAL DETAIL
 BASE PLATE AT HSS COLUMNS

SCALE: 3/4" = 1'-0" 12



SCALE: 3/4" = 1'-0" 11



TYPICAL DETAIL
 OPENING THRU GRADE BEAM

NO SCALE 7

NO SCALE 8

NO SCALE 9

NO SCALE 10

NO SCALE 11

NO SCALE 12

SCALE: 3/4" = 1'-0" 10

SCALE: 3/4" = 1'-0" 11

SCALE: 3/4" = 1'-0" 12

SCALE: 3/4" = 1'-0" 10