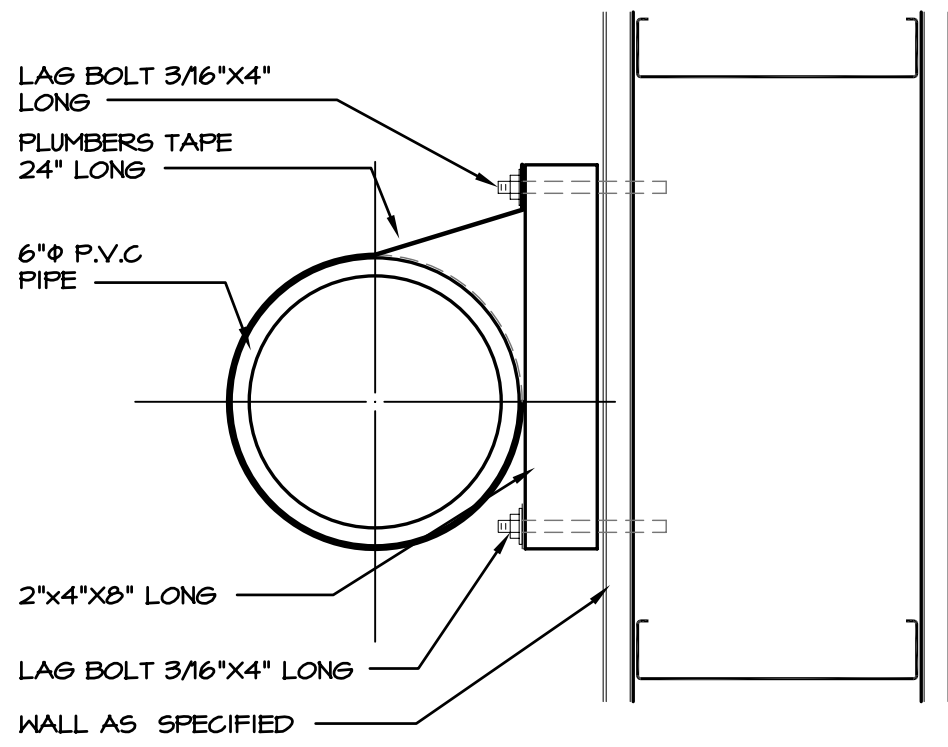
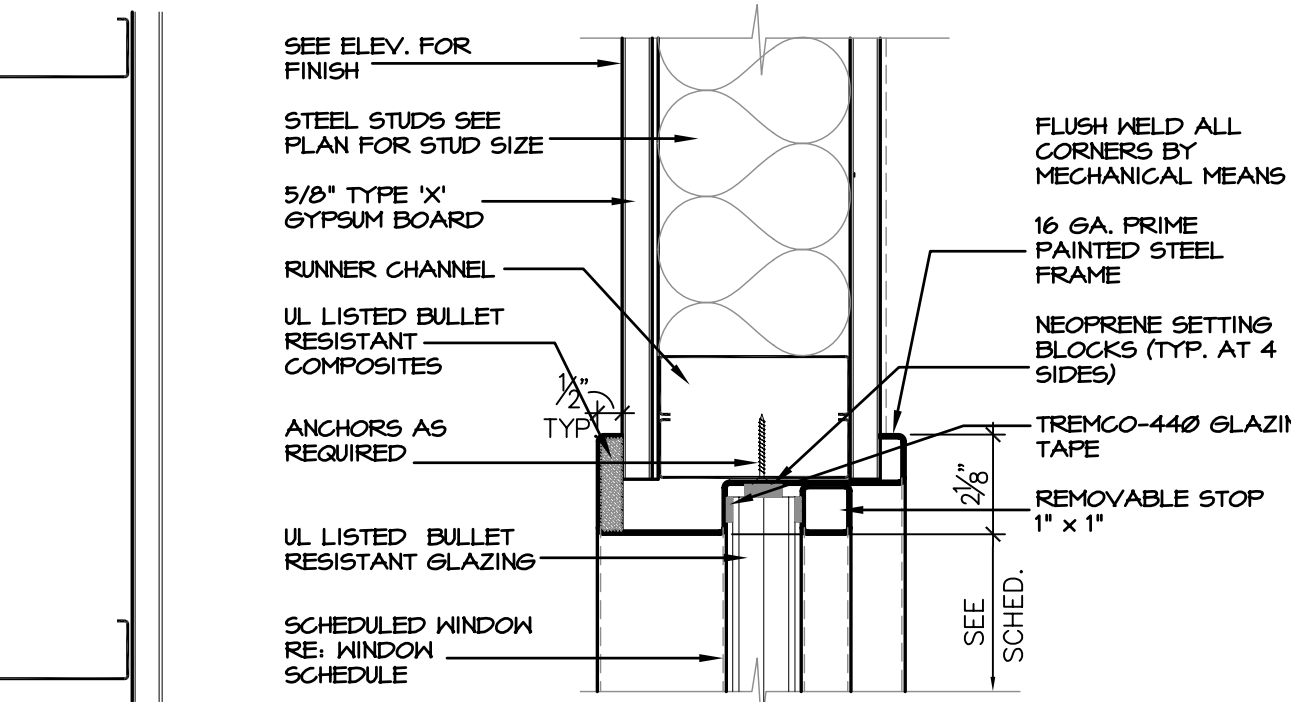


PLAN VIEW

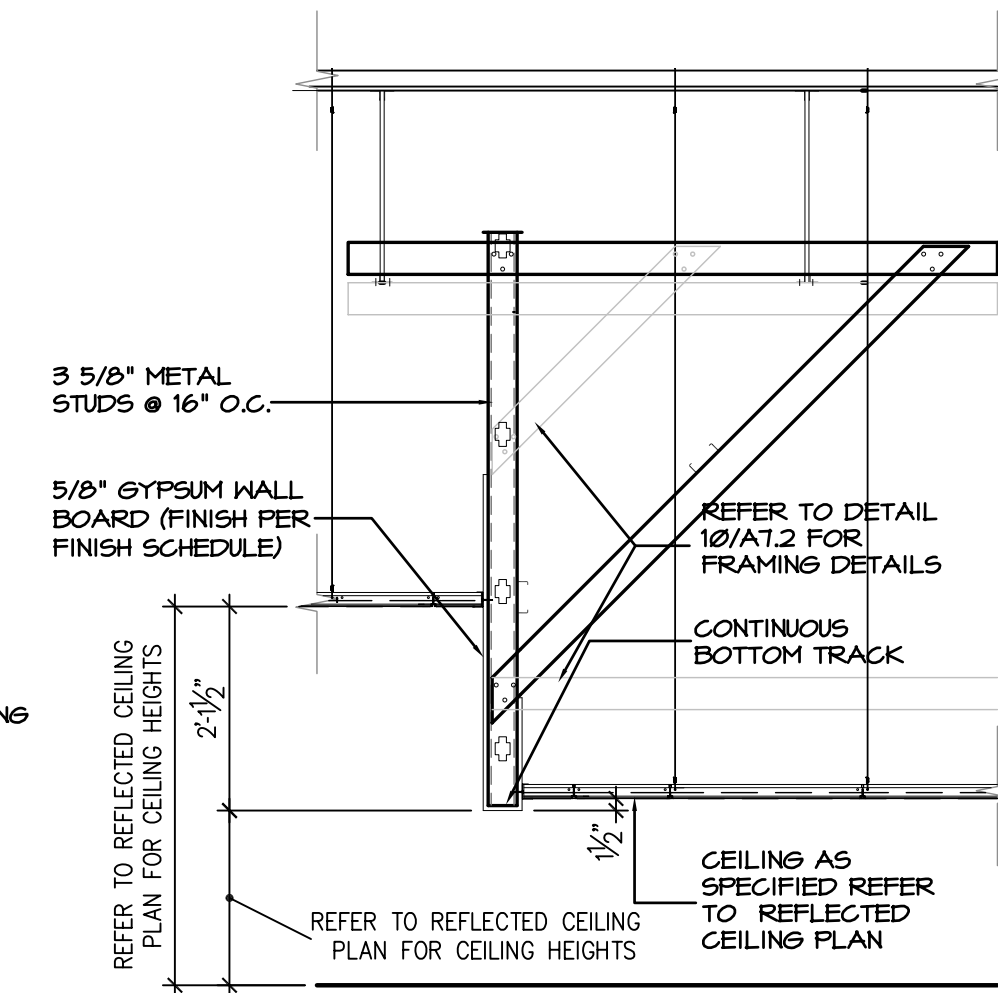


SIDE VIEW

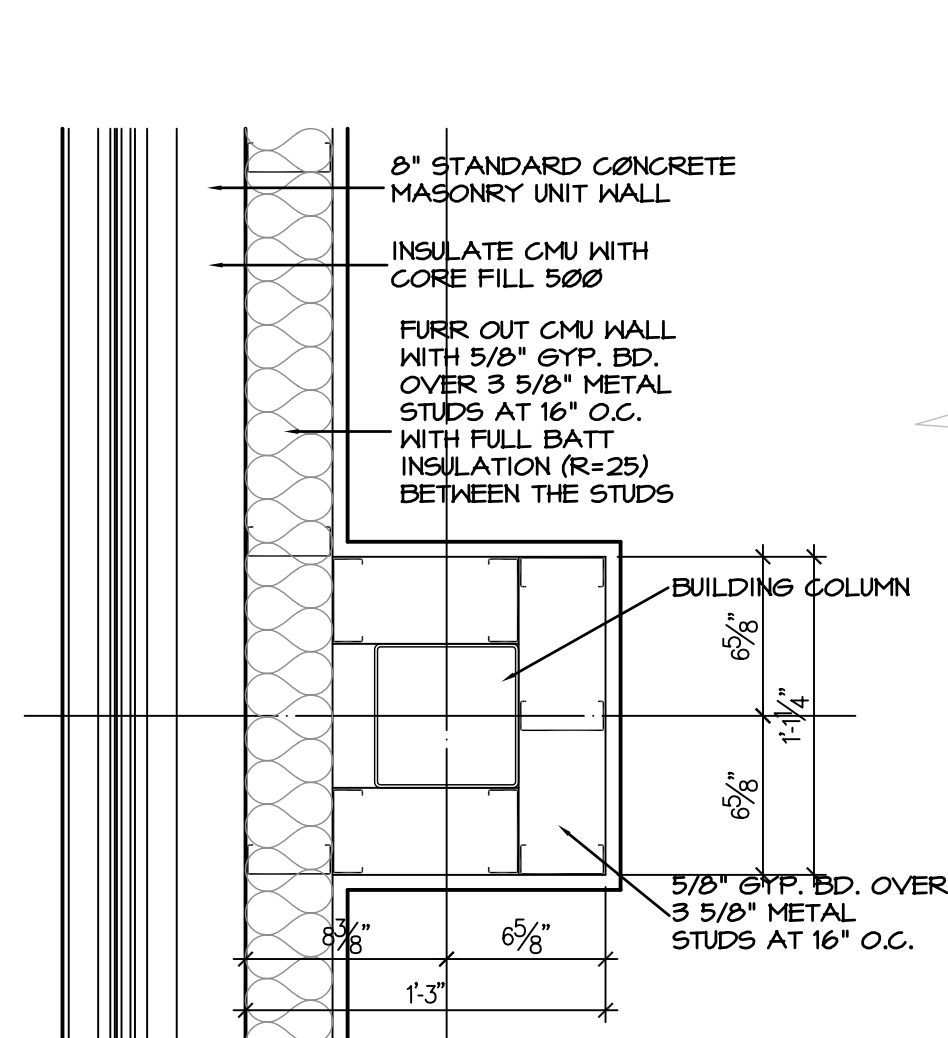
1 PLAN STORAGE TUBE
A7.3 SCALE: 3" = 1'-0"



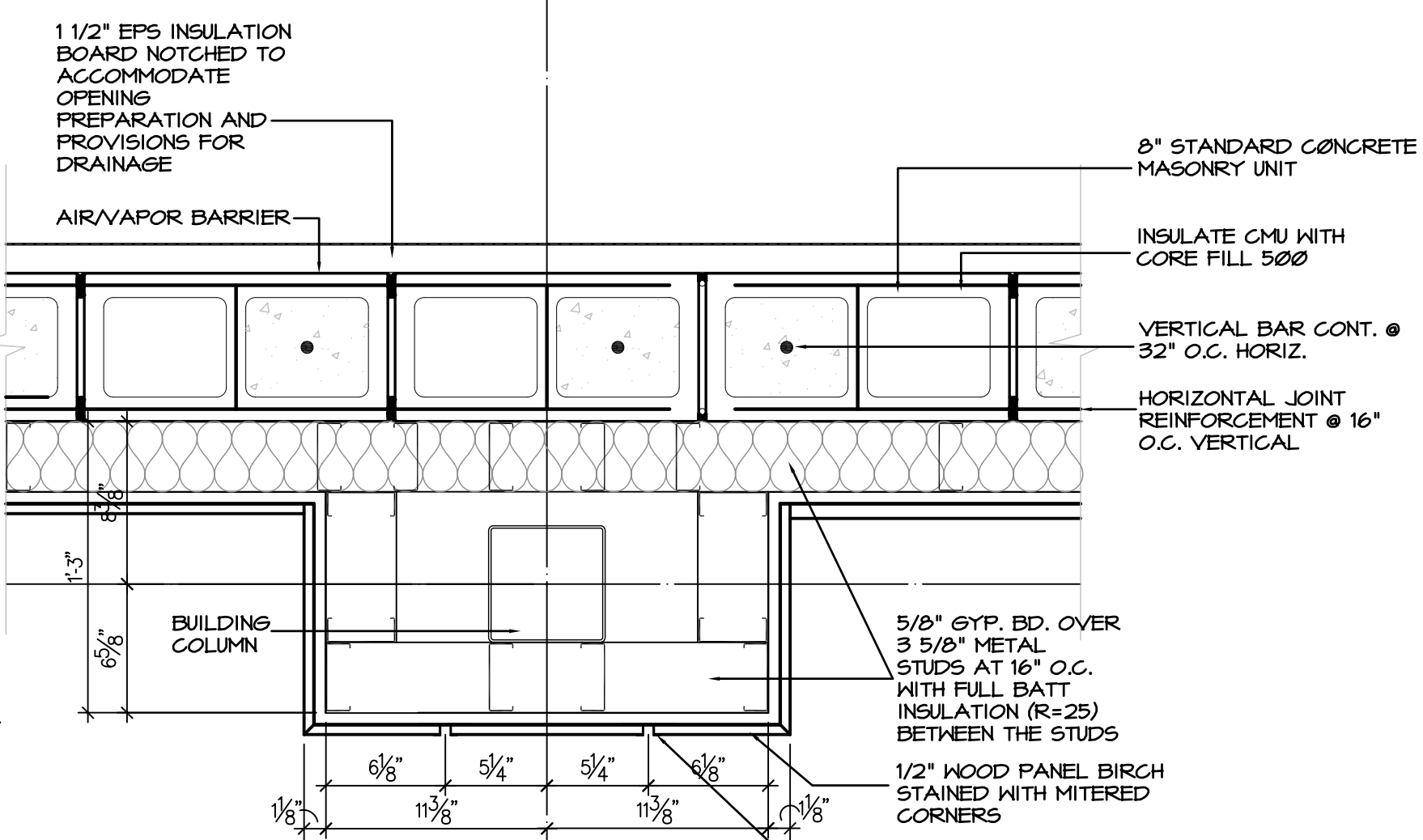
2 BR HEAD AND JAMB AT STEEL STUD WALL
A7.3 SCALE: 3" = 1'-0"



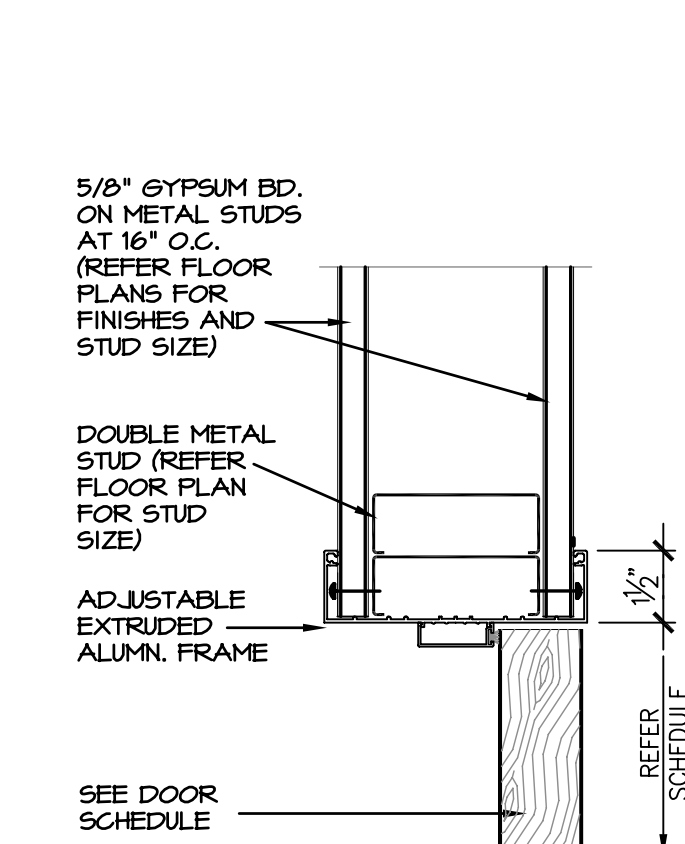
3 WALL SECTION FURR DOWN
A7.3 SCALE: 1/2" = 1'-0"



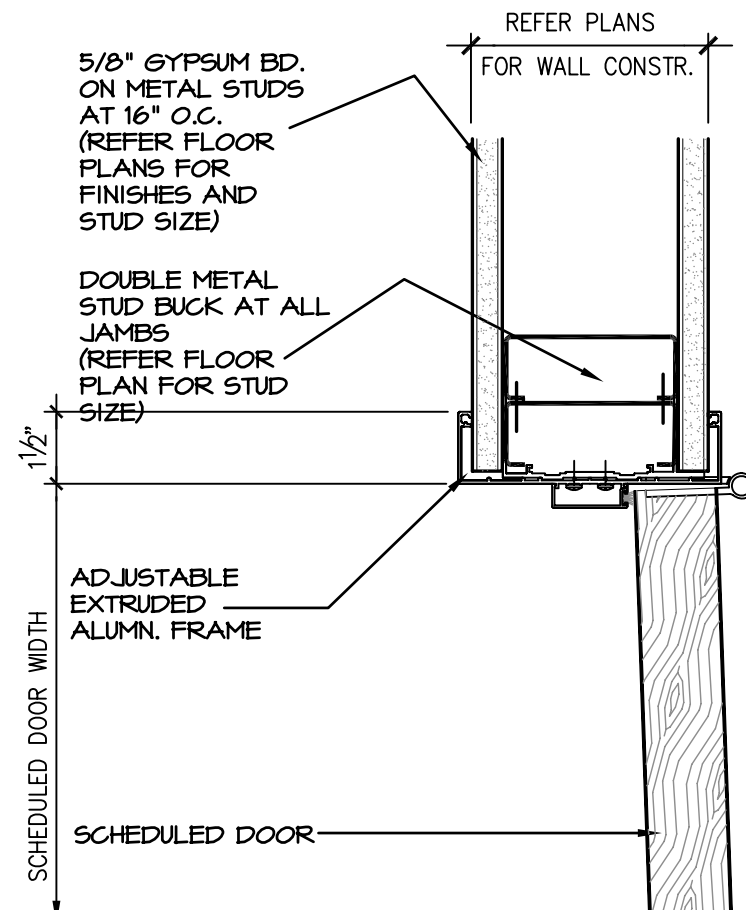
4 PLAN DETAIL
A7.3 SCALE: 1 1/2" = 1'-0"



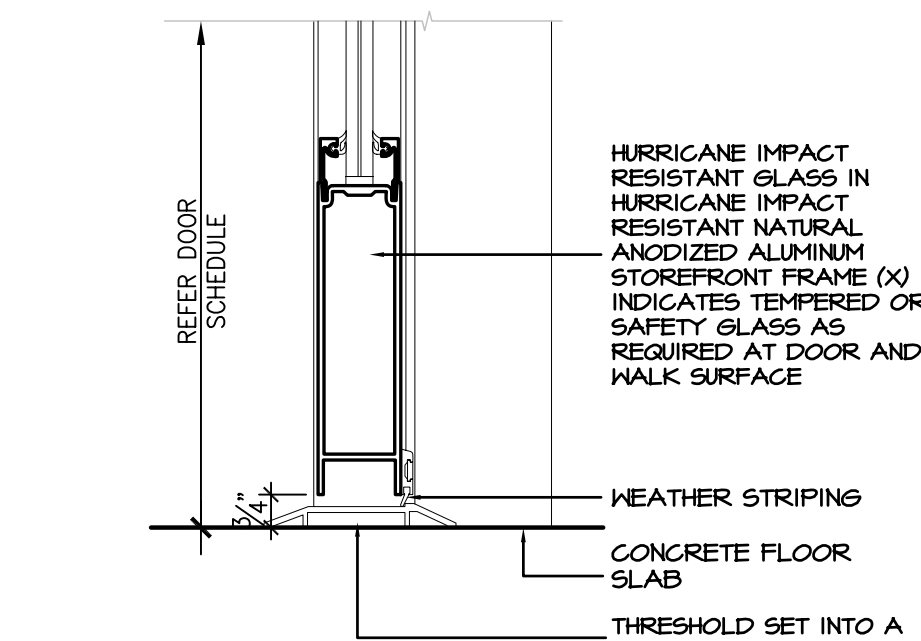
5 PLAN DETAIL
A7.3 SCALE: 1 1/2" = 1'-0"



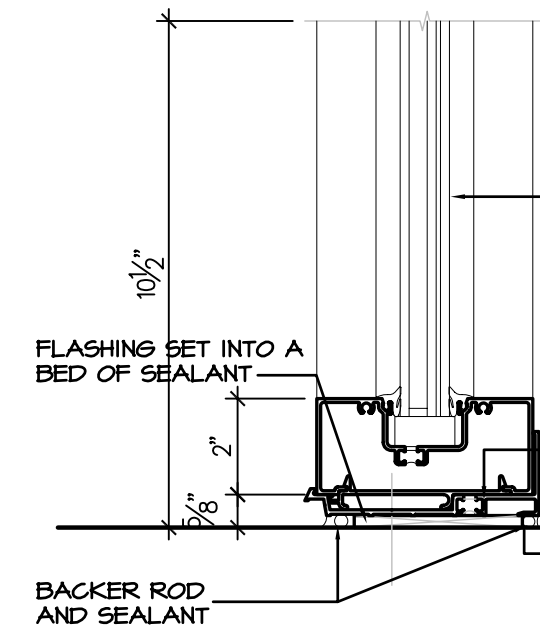
6 DOOR HEAD DETAIL
A6.3 SCALE: 3" = 1'-0"



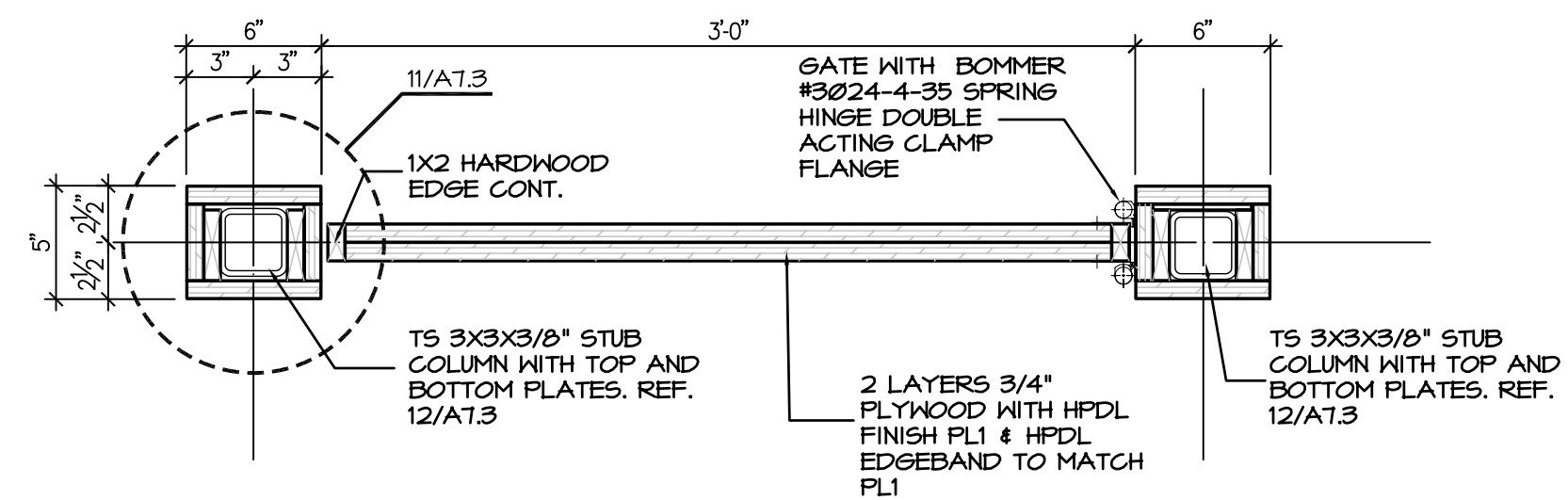
7 DOOR FRAME JAMB @ DRYWALL
A7.3 SCALE: 3" = 1'-0"



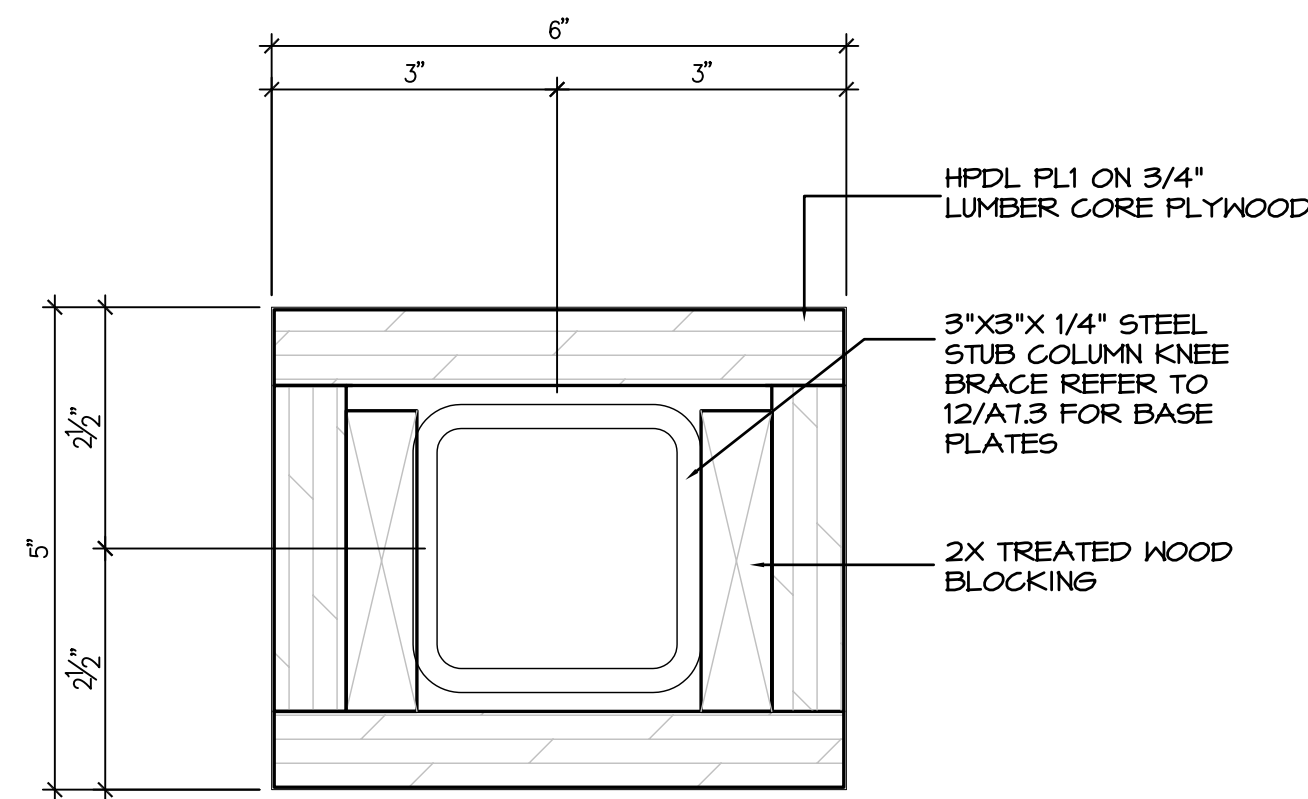
8 STOREFRONT DOOR SILL DETAIL
A7.3 SCALE: 3" = 1'-0"



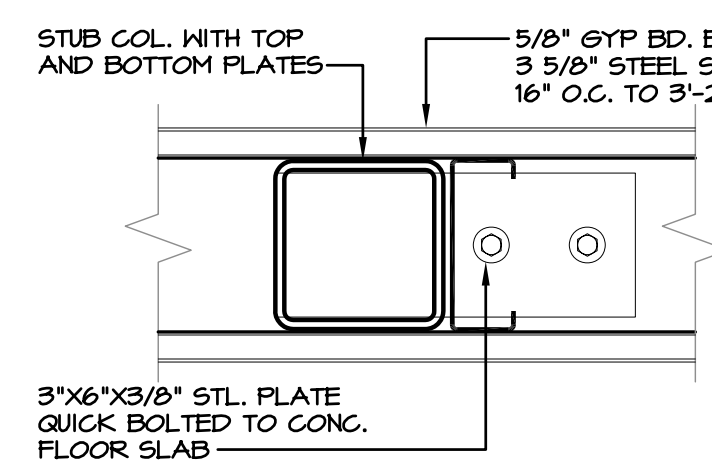
9 STOREFRONT SILL DETAIL
A7.3 SCALE: 3" = 1'-0"



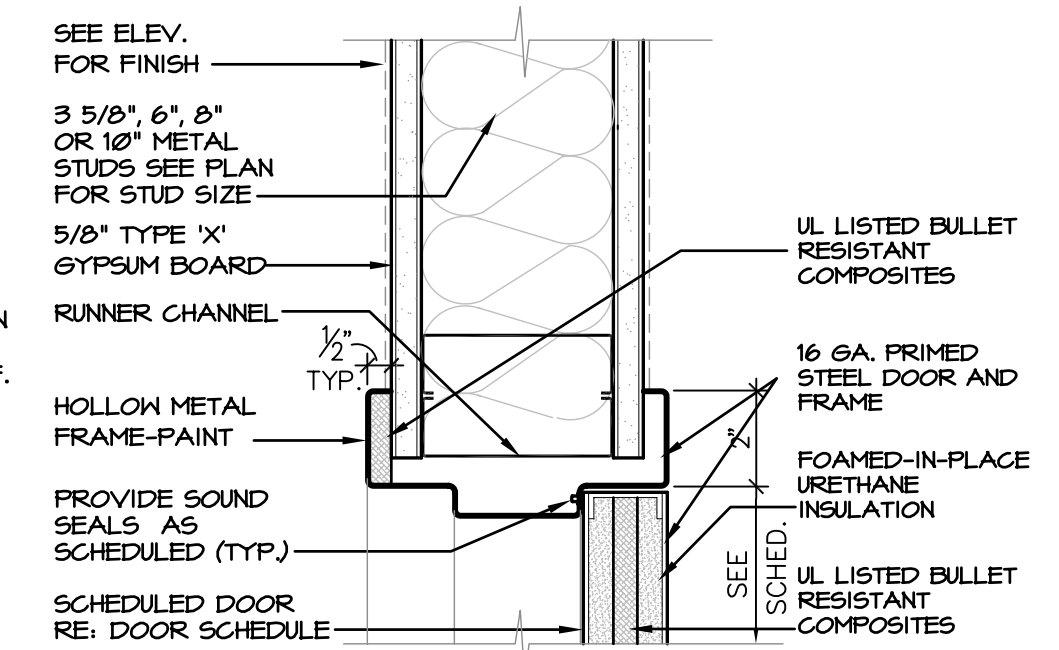
10 MILLWORK SWINGING GATE PLAN
A7.3 SCALE: 1 1/2" = 1'-0"



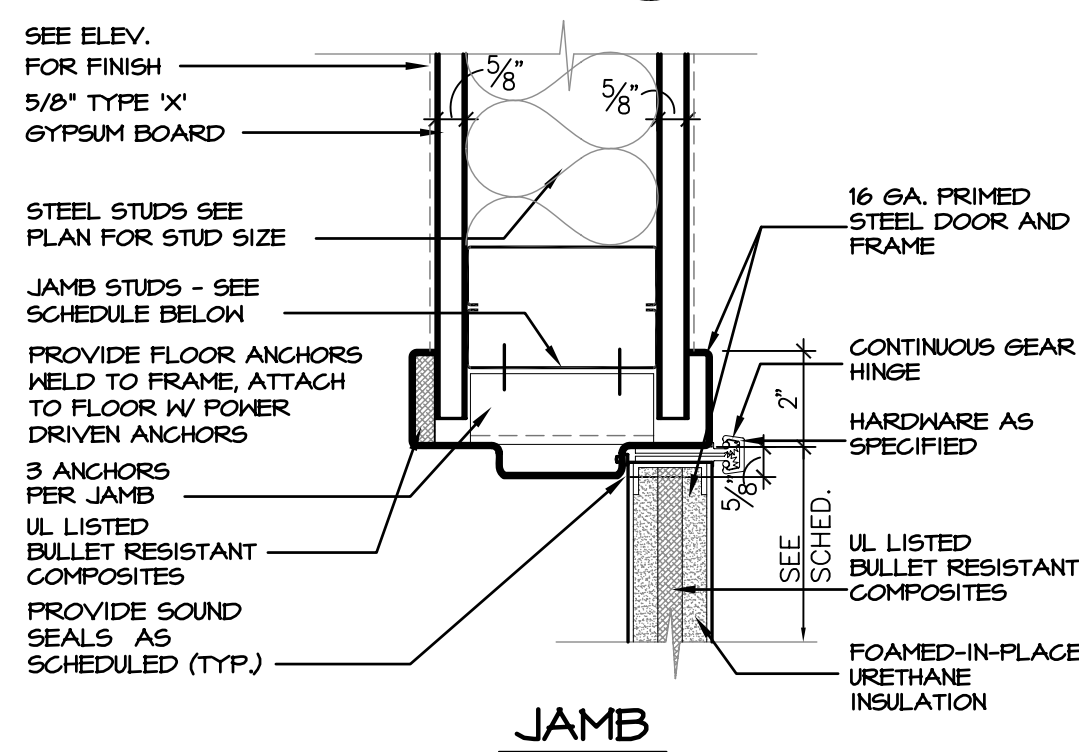
11 KNEE WALL BRACE AT SWINGING GATE DETAIL
A7.3 SCALE: 6" = 1'-0"



12 COLUMN DETAIL
A7.3 SCALE: 3" = 1'-0"



13 HM HEAD AT MTL STUD WALL
A7.3 SCALE: 3" = 1'-0"



14 BR JAMB AT STEEL STUD WALL
A7.3 SCALE: 3" = 1'-0"

JAMB STUD SCHEDULE

WIDTH	HEIGHT	JAMB STUDS
UP TO 36"	100#	1 - 25 GA. STUD PER JAMB
UP TO 48"	200#	1 - 20 GA. STUD PER JAMB
UP TO 48"	300#	2 - 20 GA. STUDS PER JAMB
OVER 48"	300#	4 DOUBLE DOORS - CONSULT ENGINEER.

Hermes Architects

Members A.I.A.
1177 West Loop South, Ste. 500
Houston, Texas 77027
Tel. 713-785-3644
www.hermesarchitects.com
Houston • Dallas • Ft. Worth

This document is an instrument of service protected by the copyright law of the United States of America, 17 U.S.C. § 102, and shall not be copied or reproduced without the express written consent of Hermes Architects, Inc.



Shaw's Jewelers
West Gray
1021 West Gray Ave.
Houston, Texas

Shaw's Jewelers
1014 West Gray Street
Houston, Texas 77019

DATE 11.11.2011
PROJECT NO. 1102100
DRAWN BY --
CHECKED BY --

Interior Details

A7.3