

This document is an instrument of service protected by the copyright law of the United States of America, 17 U.S.C. § 102, and shall not be copied or reproduced without the express written consent of Hermes Architects, Inc.



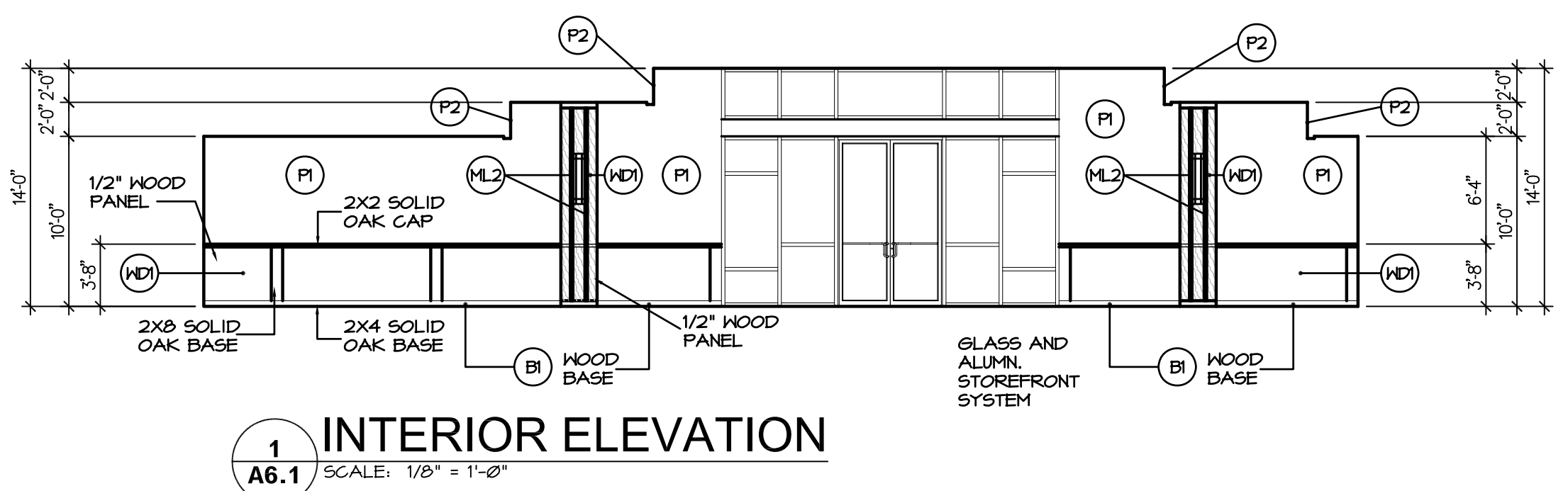
Shaw's Jewelers
 West Gray
 1021 West Gray Ave.
 Houston, Texas

Shaw's Jewelers
 1014 West Gray Street
 Houston, Texas 77019

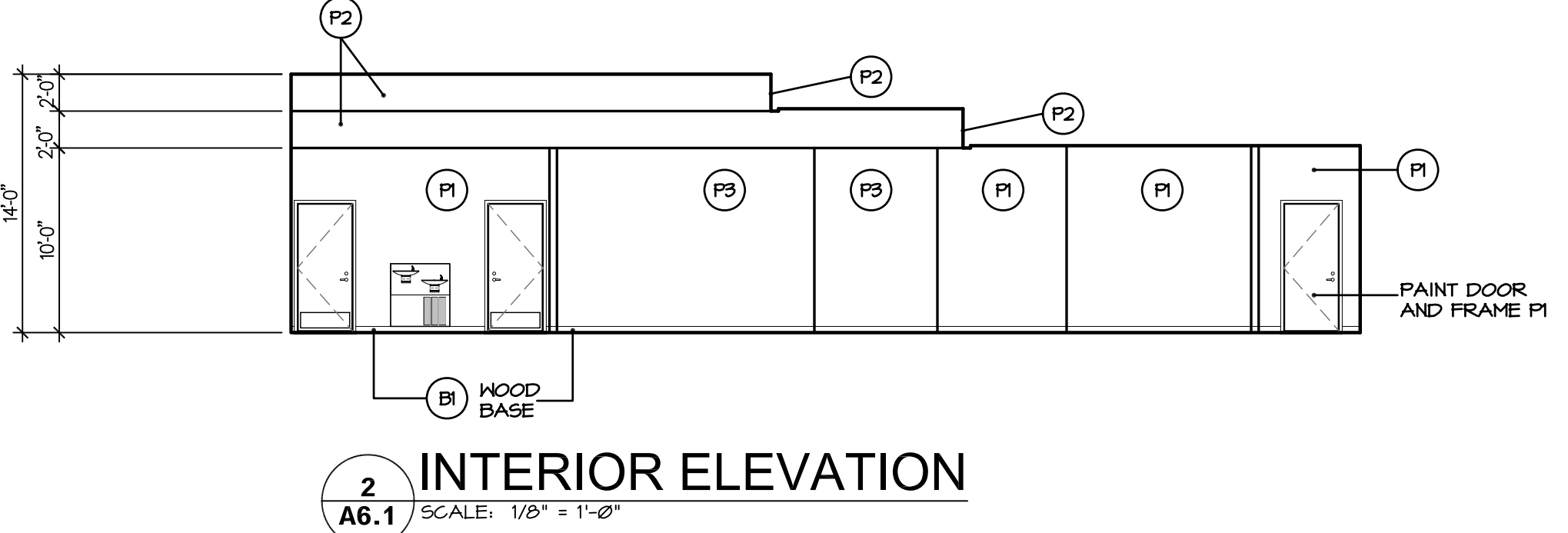
DATE	11.11.2011
PROJECT NO.	1102100
DRAWN BY	--
CHECKED BY	--

Interior Elevations

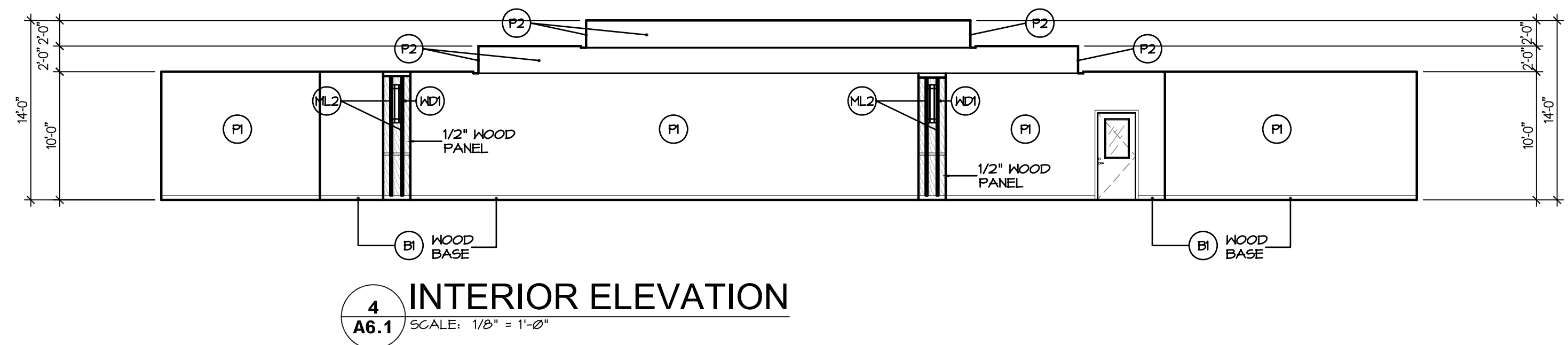
A6.1



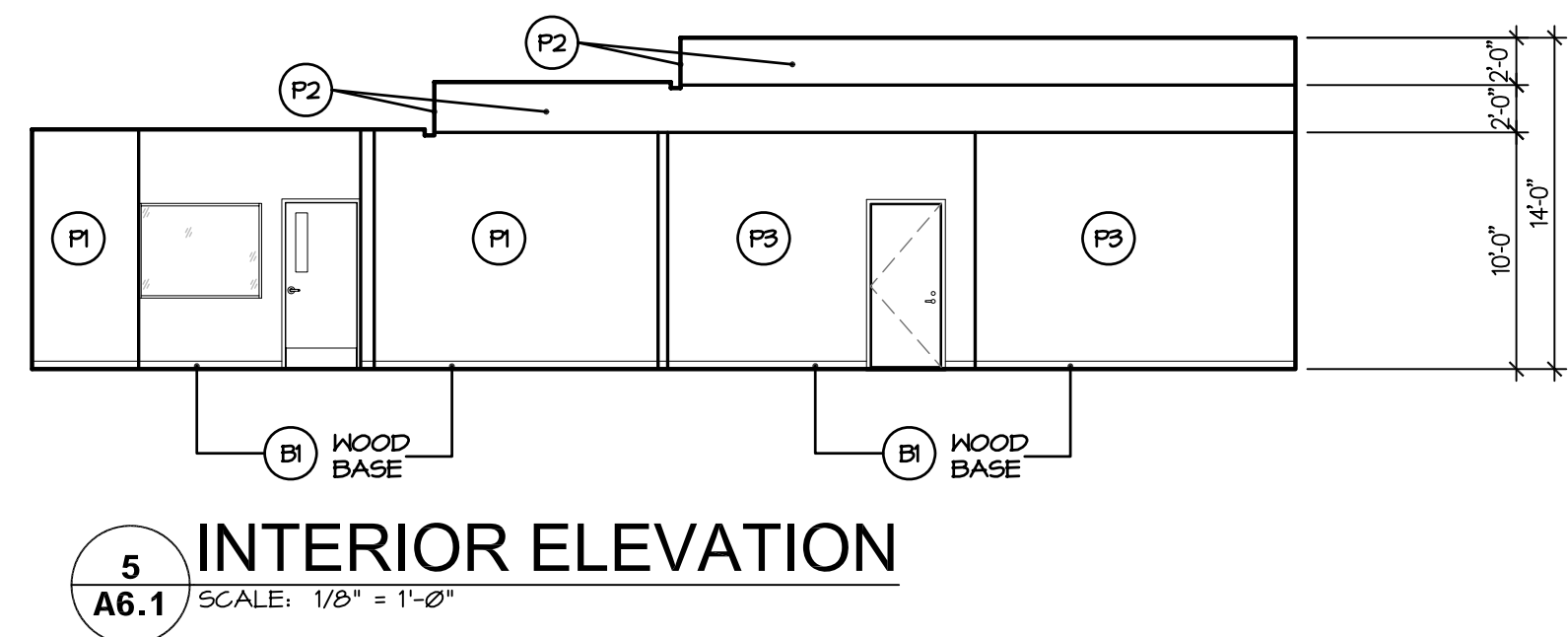
1 INTERIOR ELEVATION
 A6.1 SCALE: 1/8" = 1'-0"



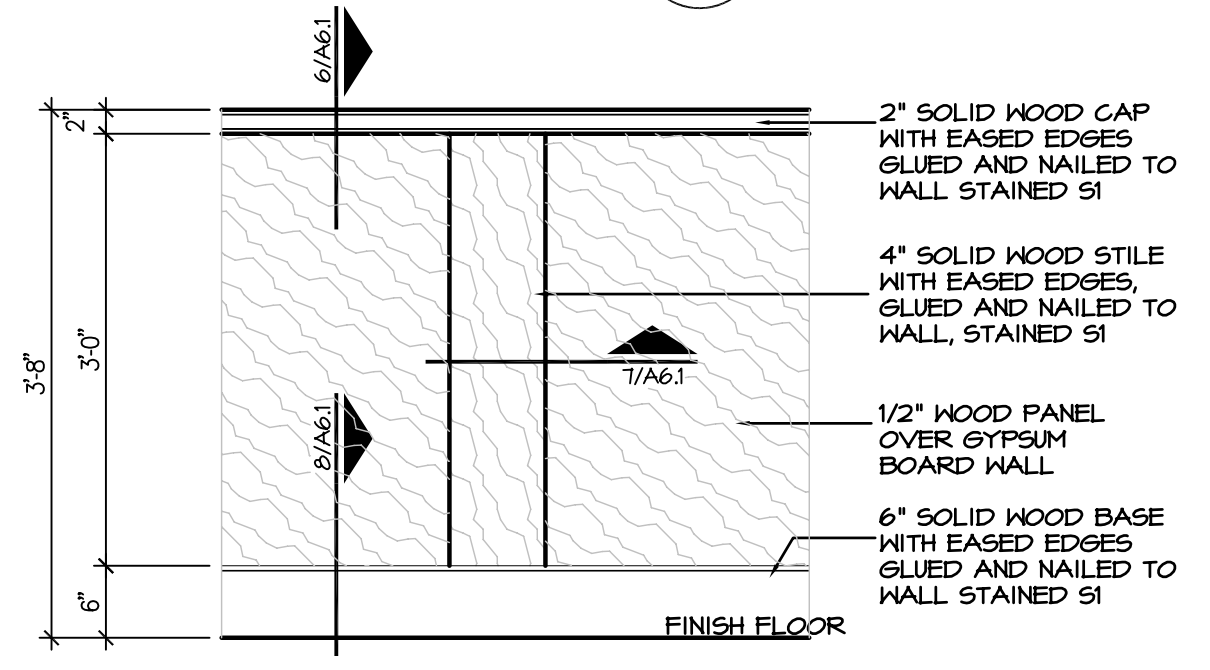
2 INTERIOR ELEVATION
 A6.1 SCALE: 1/8" = 1'-0"



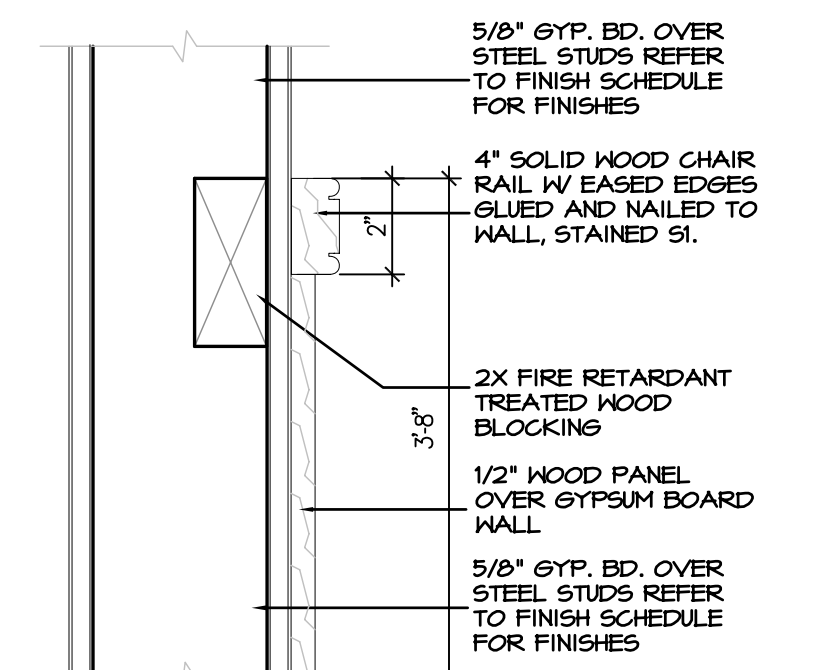
4 INTERIOR ELEVATION
 A6.1 SCALE: 1/8" = 1'-0"



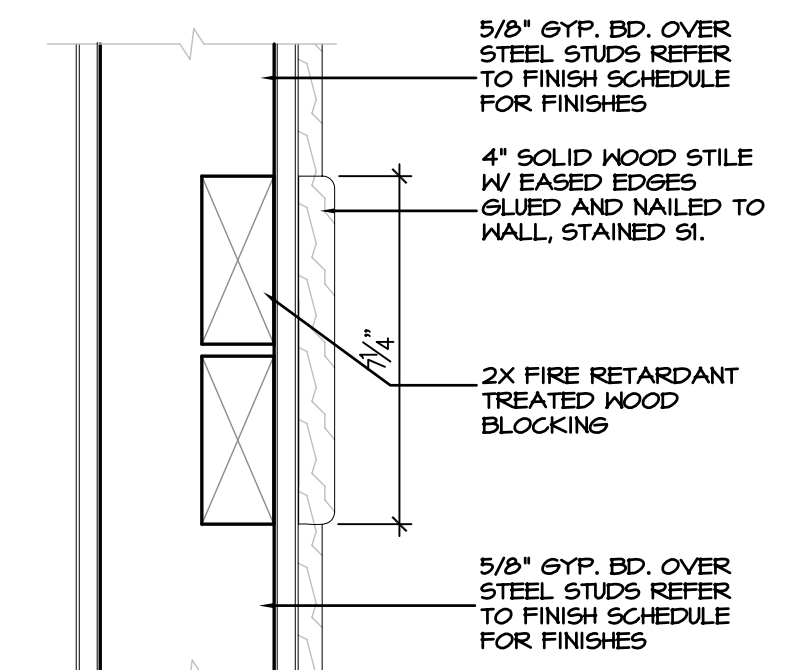
5 INTERIOR ELEVATION
 A6.1 SCALE: 1/8" = 1'-0"



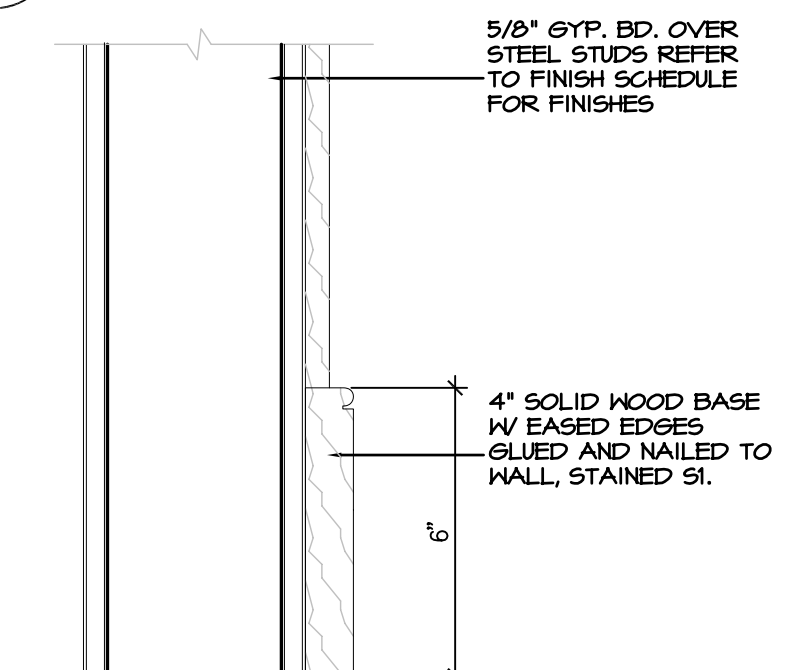
5 WAINSCOT DETAIL
 A6.1 SCALE: 1 1/2" = 1'-0"



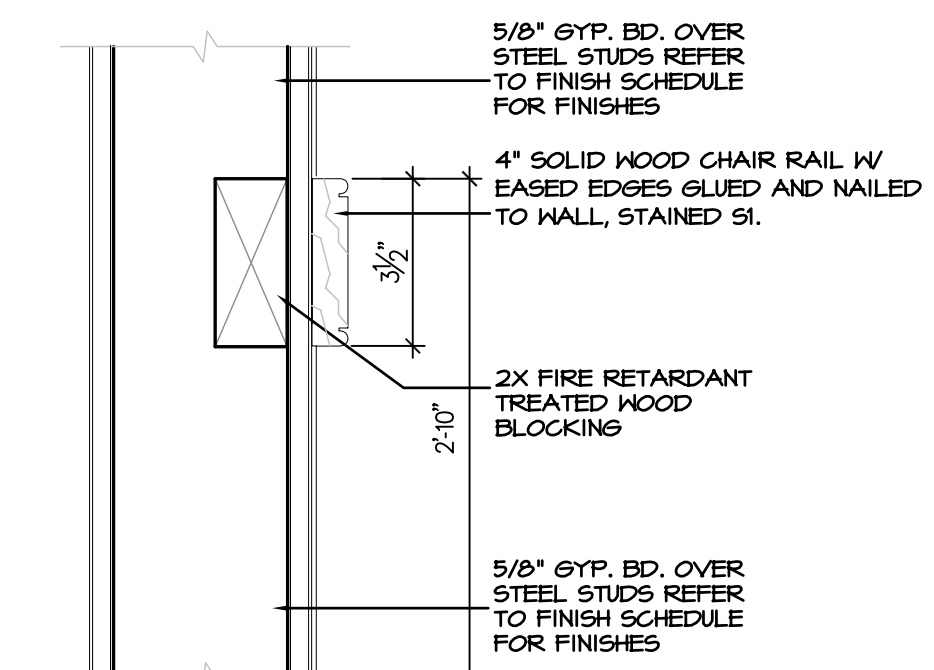
6 WAINSCOT CAP DETAIL
 A6.1 SCALE: 3" = 1'-0"



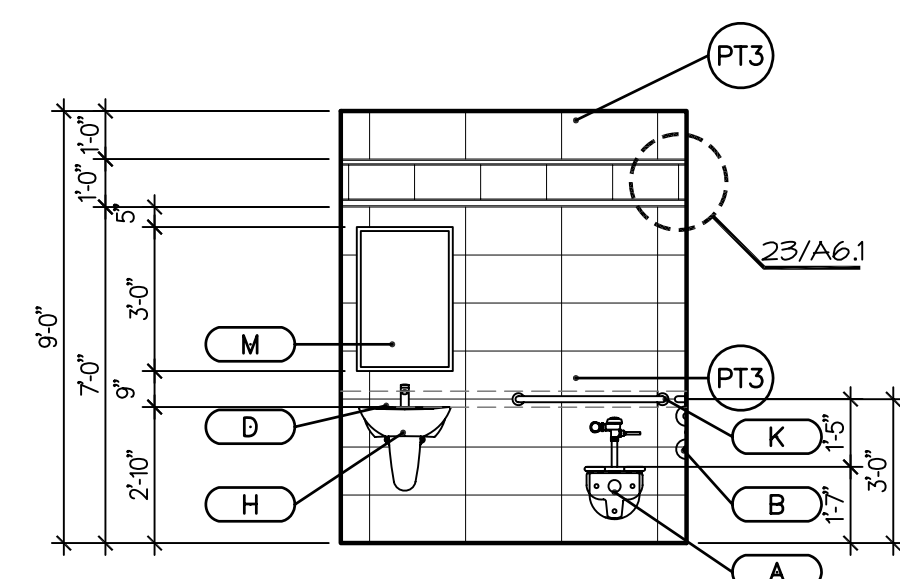
7 WAINSCOT STILE DETAIL
 A6.1 SCALE: 3" = 1'-0"



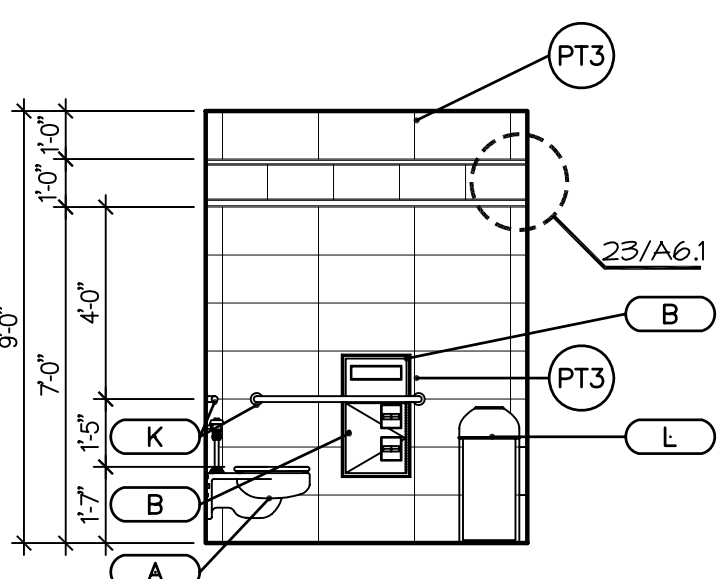
8 BASE DETAIL
 A6.1 SCALE: 3" = 1'-0"



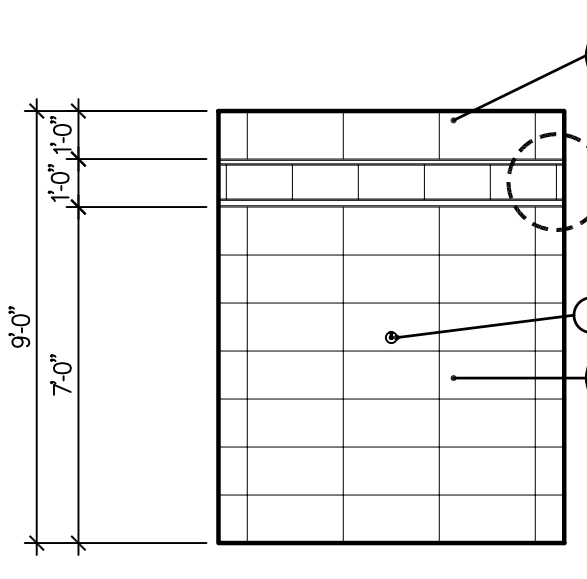
9 CHAIR RAIL DETAIL
 A6.1 SCALE: 3" = 1'-0"



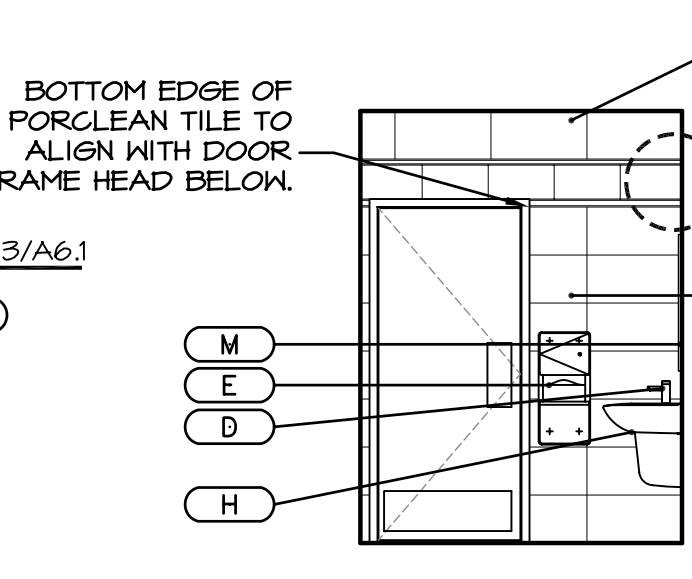
11 TOILET ELEVATION
 A6.1 SCALE: 1/4" = 1'-0"



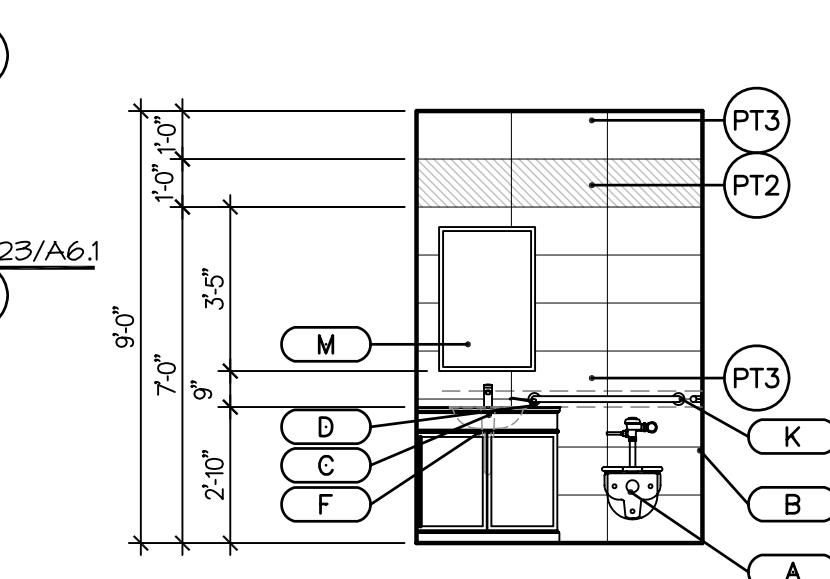
12 TOILET ELEVATION
 A6.1 SCALE: 1/4" = 1'-0"



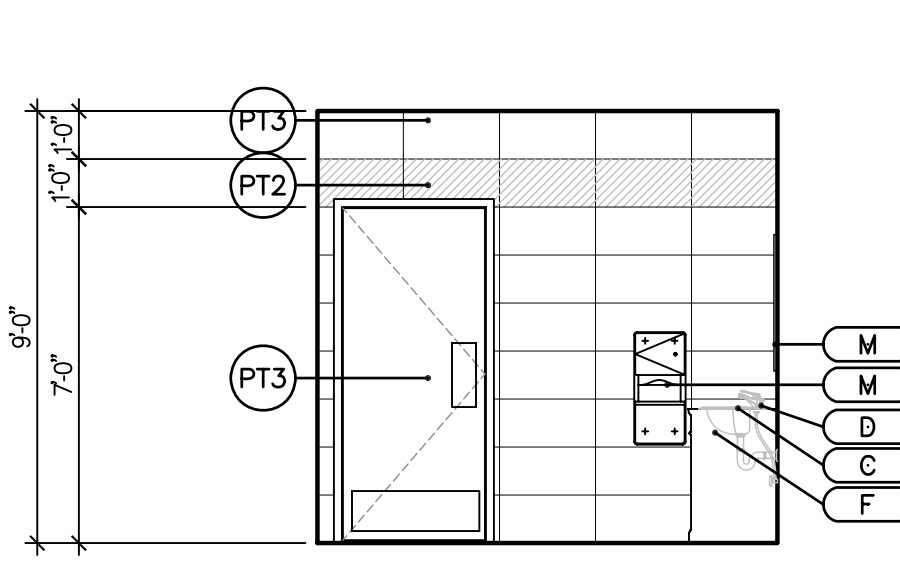
13 TOILET ELEVATION
 A6.1 SCALE: 1/4" = 1'-0"



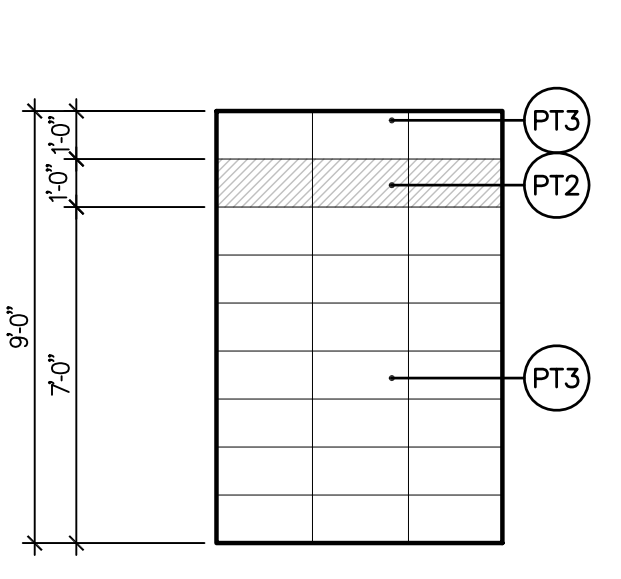
14 TOILET ELEVATION
 A6.1 SCALE: 1/4" = 1'-0"



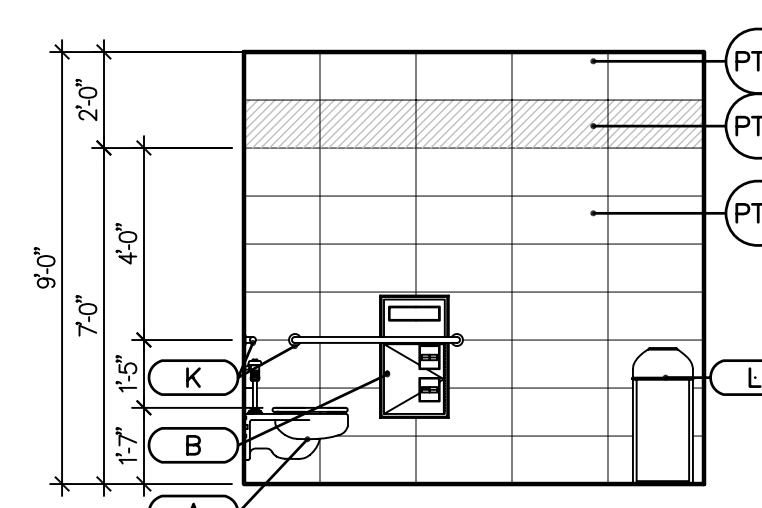
15 TOILET ELEVATION
 A6.1 SCALE: 1/4" = 1'-0"



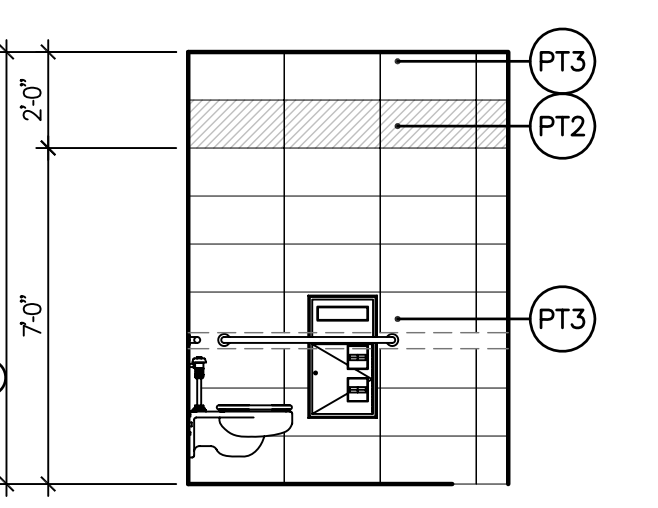
16 TOILET ELEVATION
 A6.1 SCALE: 1/4" = 1'-0"



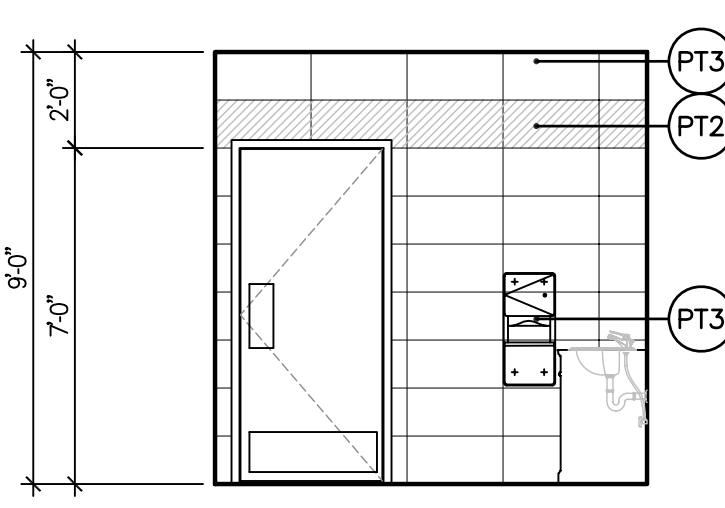
17 TOILET ELEVATION
 A6.1 SCALE: 1/4" = 1'-0"



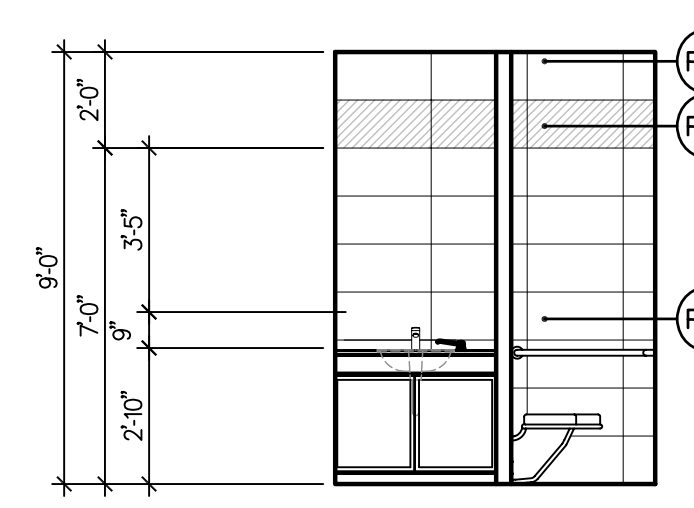
18 TOILET ELEVATION
 A6.1 SCALE: 1/4" = 1'-0"



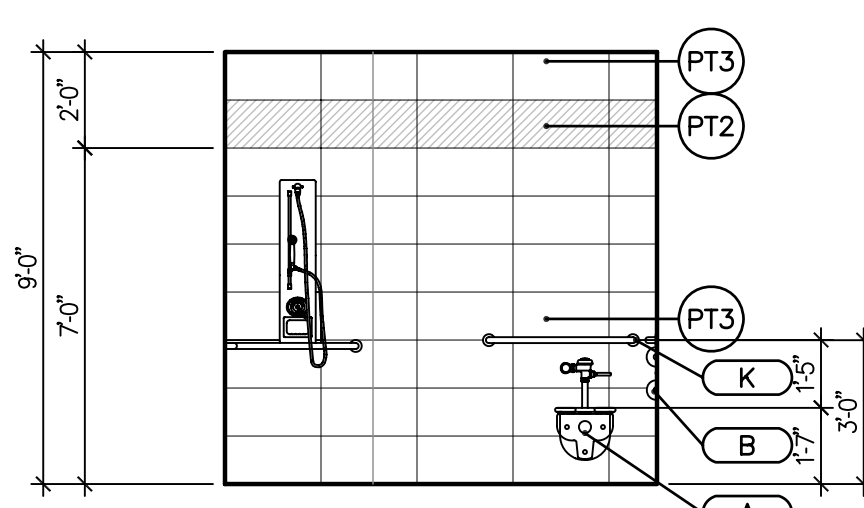
19 TOILET ELEVATION
 A6.1 SCALE: 1/4" = 1'-0"



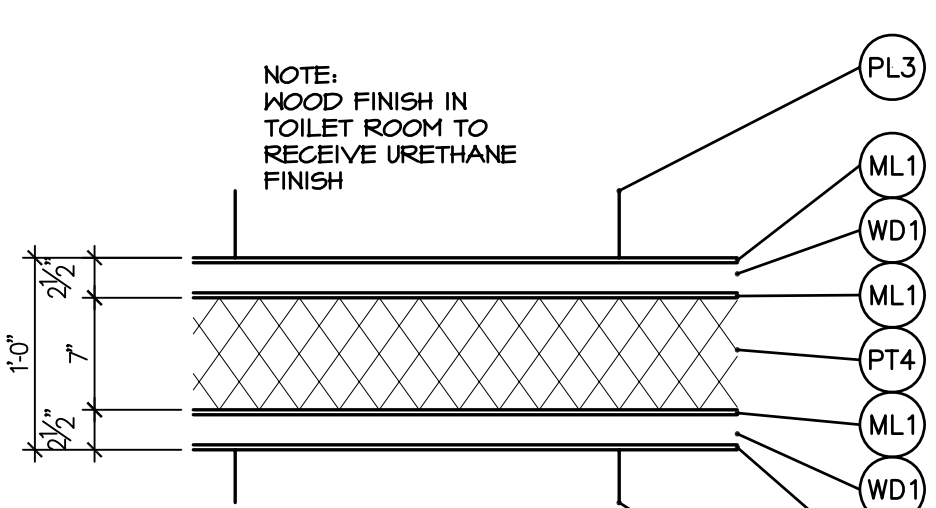
20 TOILET ELEVATION
 A6.1 SCALE: 1/4" = 1'-0"



21 TOILET ELEVATION
 A6.1 SCALE: 1/4" = 1'-0"



22 TOILET ELEVATION
 A6.1 SCALE: 1/4" = 1'-0"



23 ACCENT TILE DETAIL
 A6.1 SCALE: 3" = 1'-0"

K:\1102100\DRAWINGS\4-PLOT SHEETS\SHEETS\A6.1 INTERIOR ELEVATIONS.DWG 11/9/2011 2:21:53 PM DARREN PENEWITT