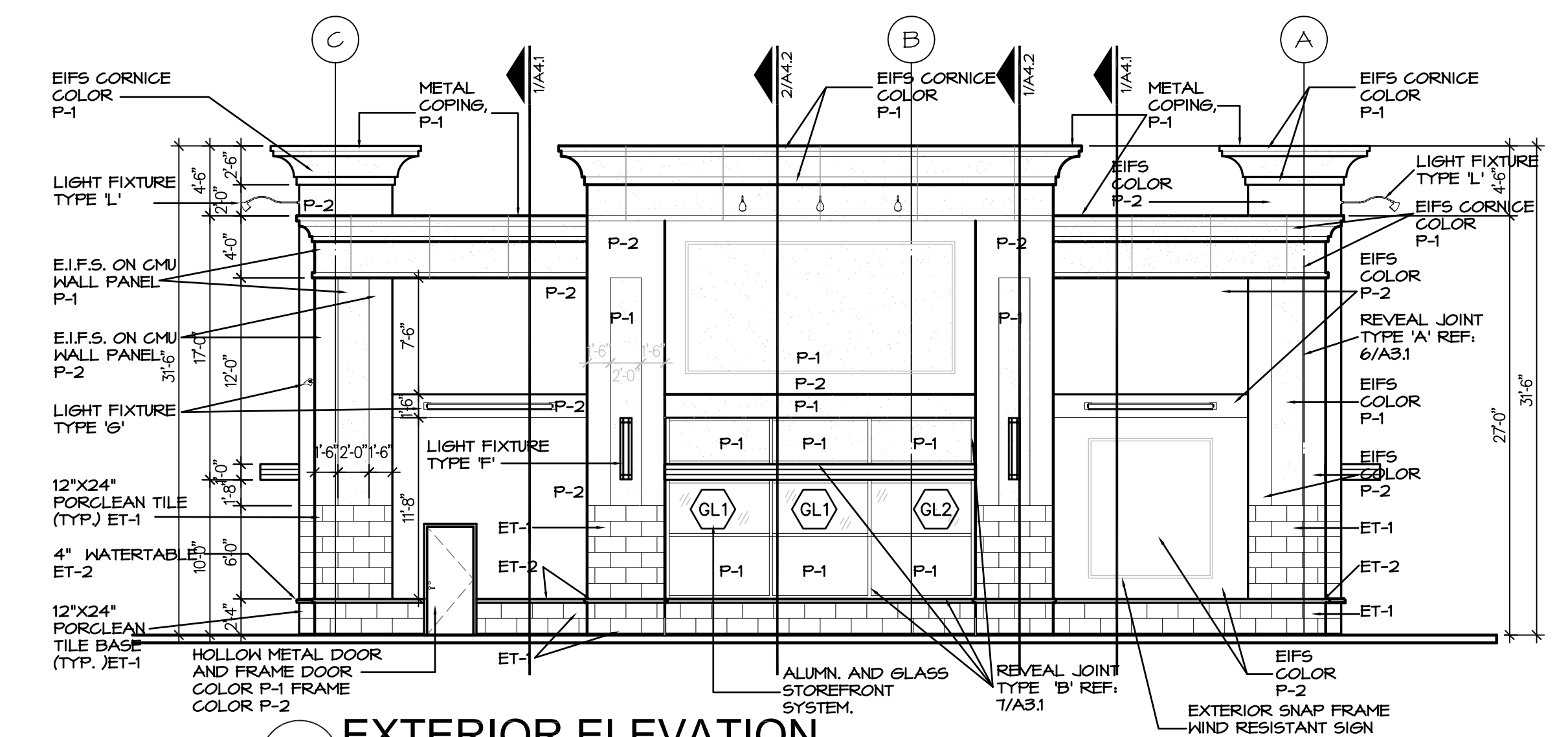
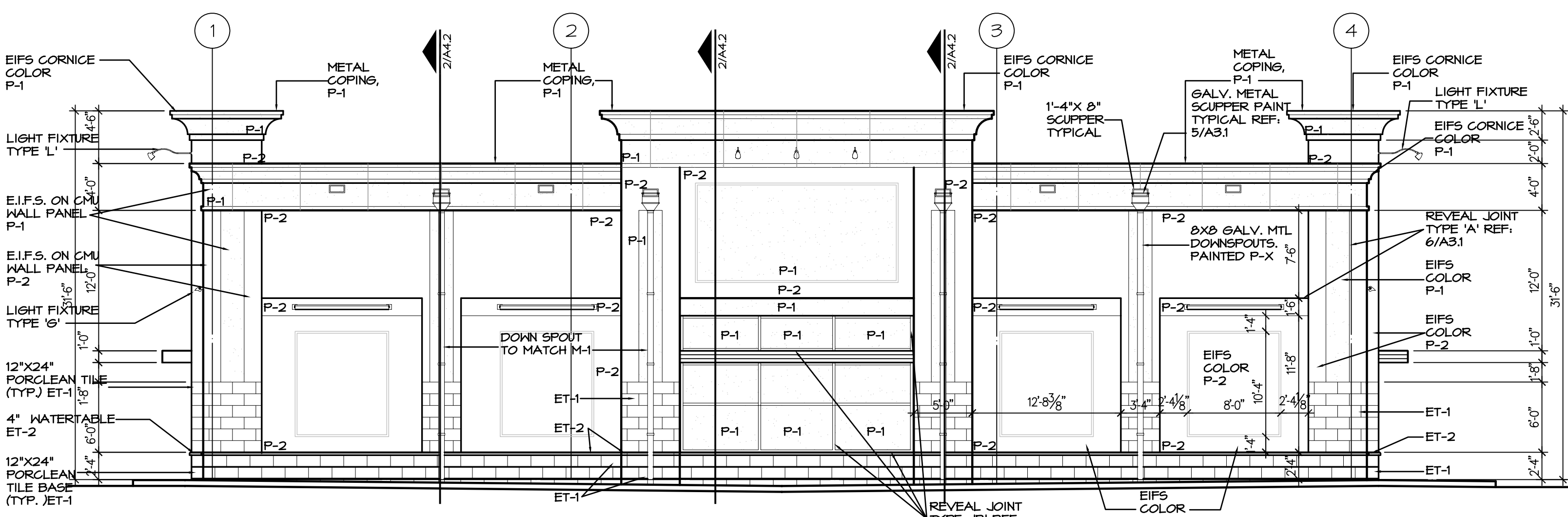


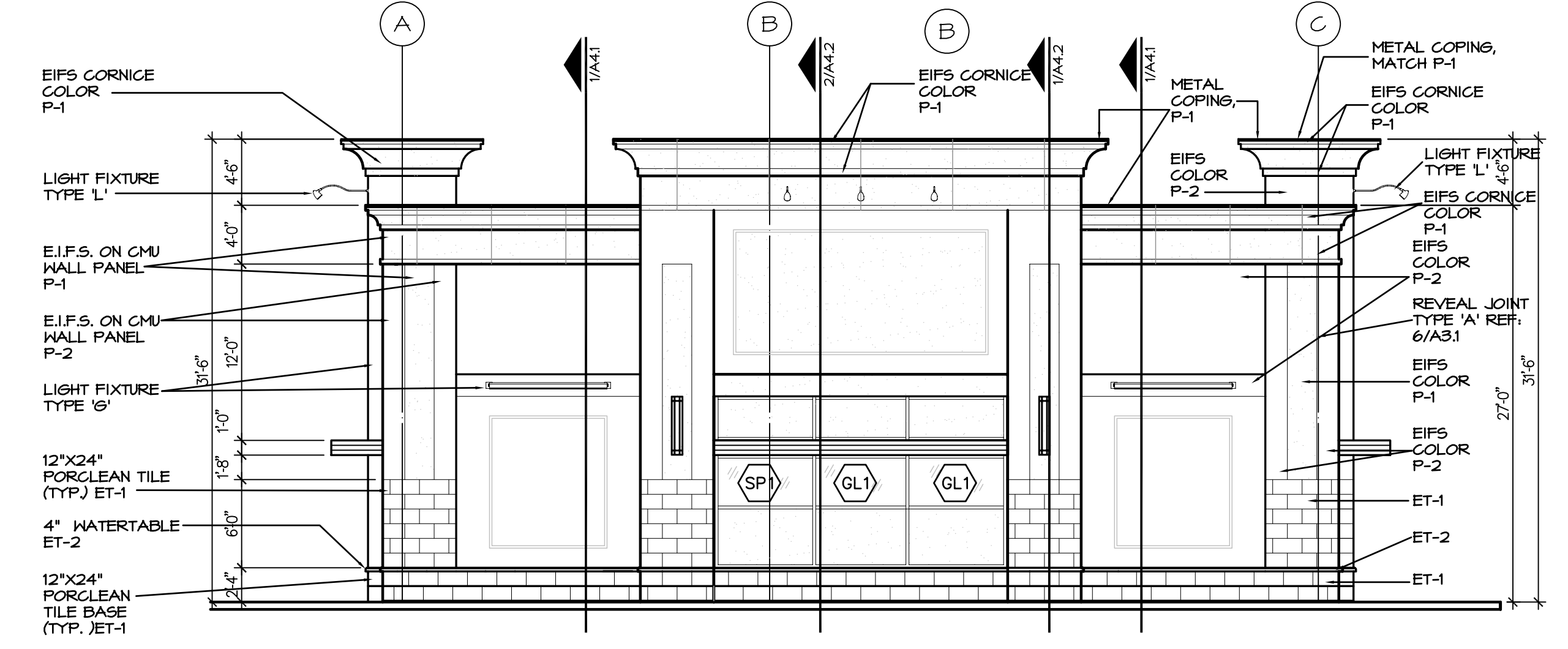
**1 EXTERIOR ELEVATION**  
A3.1 SCALE: 1/8" = 1'-0"



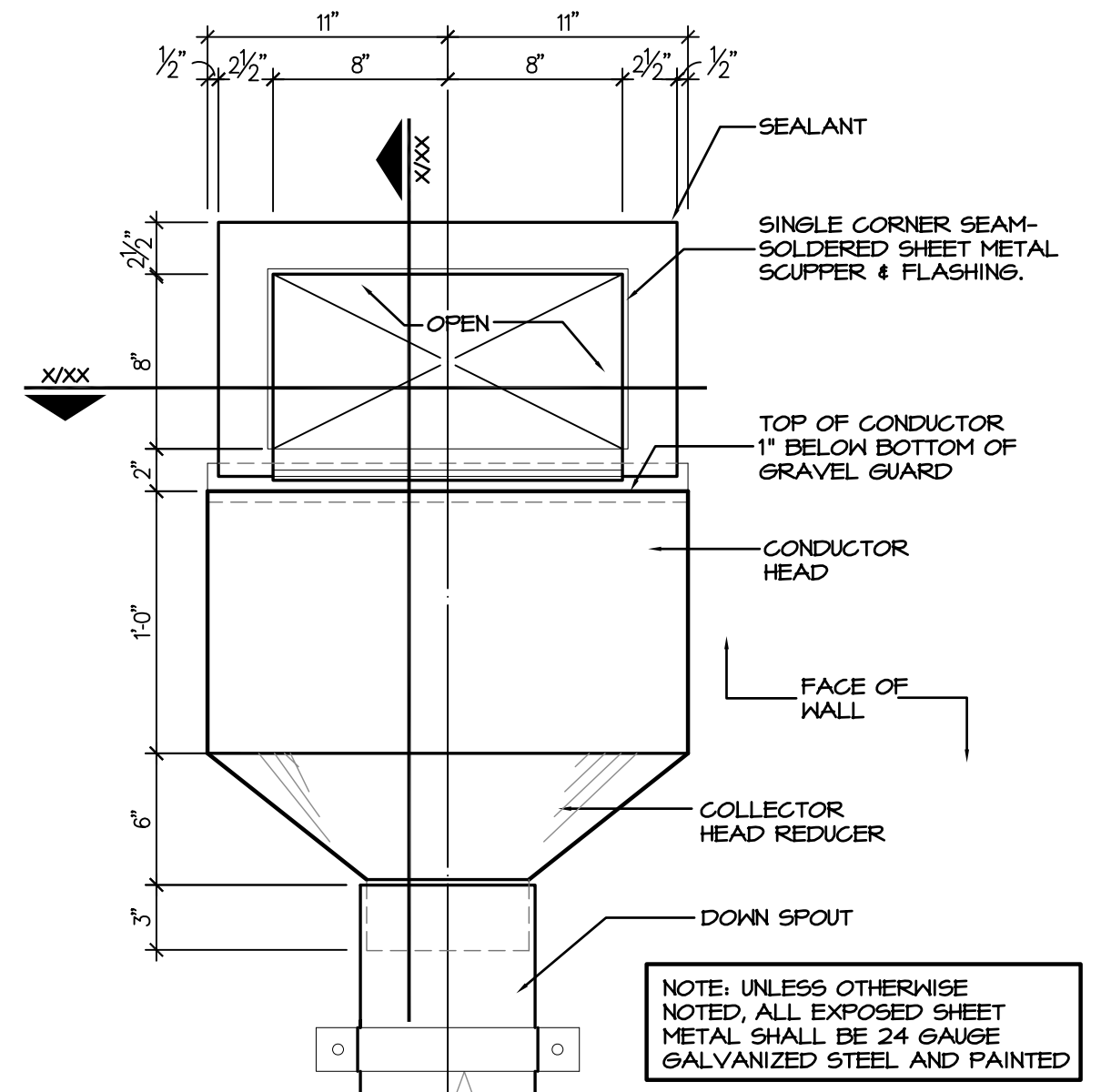
**2 EXTERIOR ELEVATION**  
A3.1 SCALE: 1/8" = 1'-0"



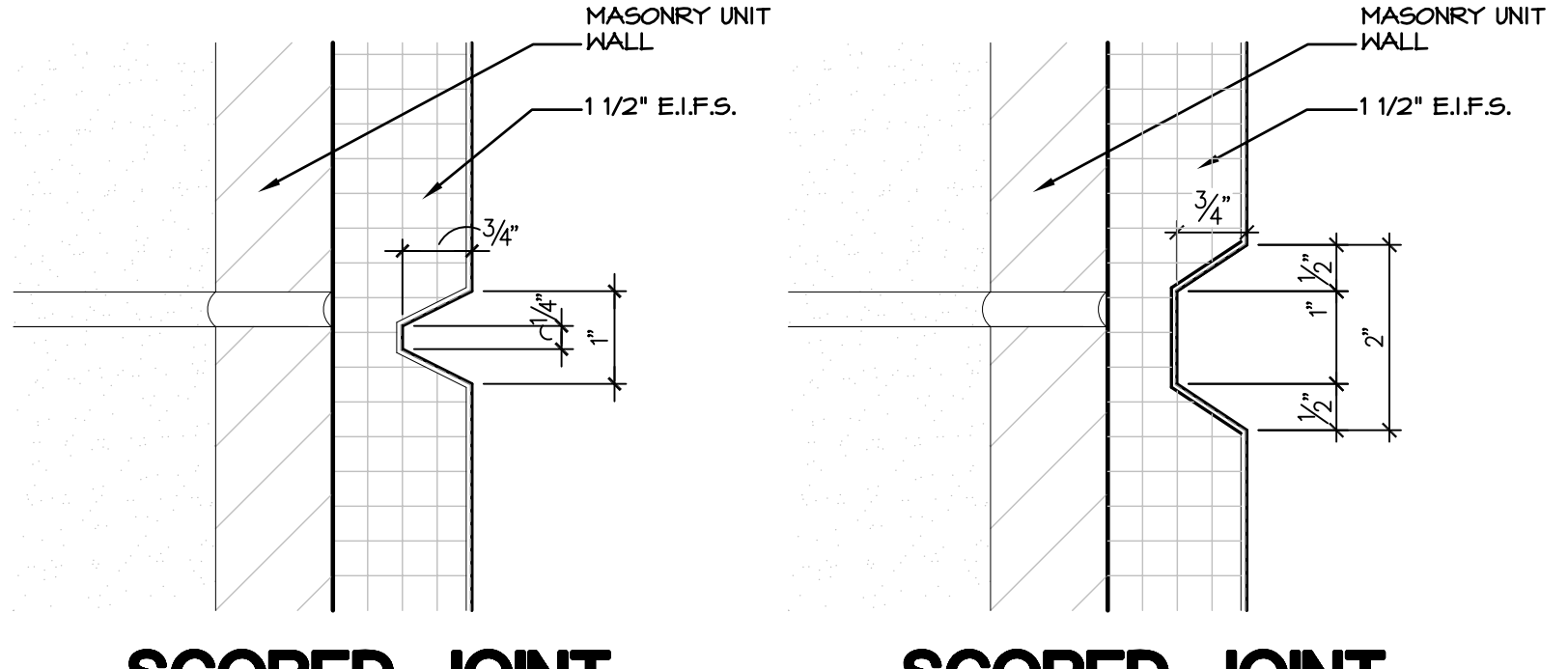
**3 EXTERIOR ELEVATION**  
A3.1 SCALE: 1/8" = 1'-0"



**4 EXTERIOR ELEVATION**  
A3.1 SCALE: 1/8" = 1'-0"

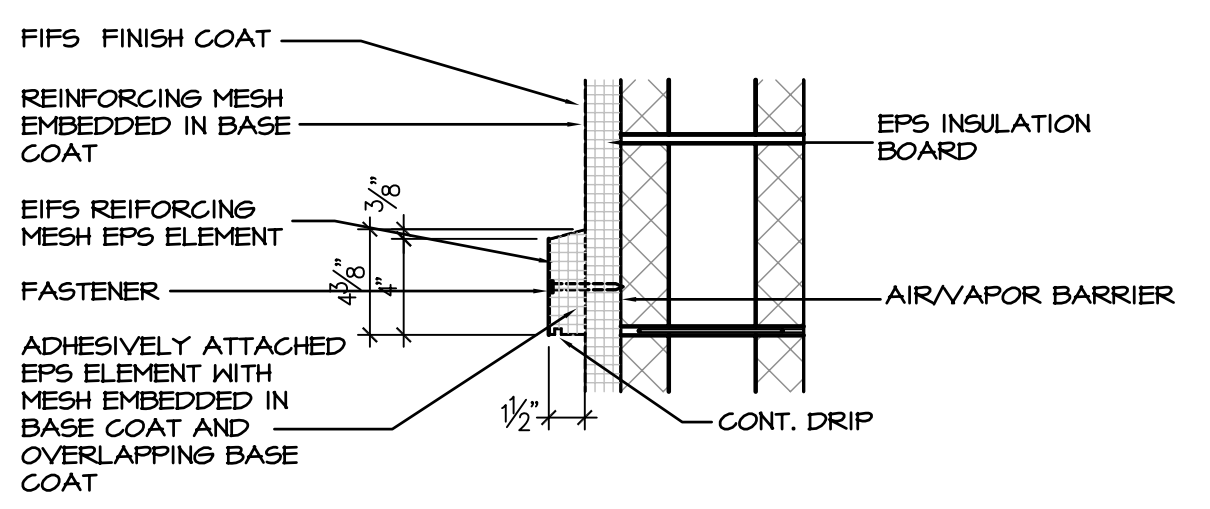


**5 COLLECTOR HEAD-ELEVATION**  
A3.1 SCALE: 1 1/2" = 1'-0"



**6 SCORED JOINT TYPE 'A' DETAIL**  
A3.1 SCALE: 6" = 1'-0"

**7 SCORED JOINT TYPE 'B' DETAIL**  
A3.1 SCALE: 6" = 1'-0"



**8 EPS ELEMENT DETAIL**  
A3.1 SCALE: 1 1/2" = 1'-0"

FINISH LEGEND				
DESIGNATION	DESCRIPTION	MANUFACTURER	COLOR	REMARKS
<b>FLOOR FINISHES</b>				
P-1	PAINT	SHERWIN WILLIAMS	DIVINE WHITE SW6105	
P-2	PAINT	SHERWIN WILLIAMS	KILIM BEIGE SW6106	
G-1	GLASS		CLEAR	
G-2	GLASS		DARK BRONZE SPANDREL PANEL	
M-1	METAL	BERRIDGE	DARK BRONZE COLOR	BERRIDGE
M-2	METAL	VISA	DARK BRONZE COLOR	VISA
SF-1	STOREFRONT	KAWNEER	DARK BRONZE COLOR	KAWNEER
ET-1	PORCLEAN TILE	PACKSTONE	GRIS COLOR	ROCA TILE GROUP
ET-2	STONE WATERTABLE	ARRISCRAFT	SAGE COLOR	UPCHURCH KIMGROUGH

**Hermes Architects**

Members A.I.A.  
1177 West Loop South, Ste. 500  
Houston, Texas 77027  
Tel. 713-785-3644  
www.hermesarchitects.com  
Houston • Dallas • Ft. Worth

This document is an instrument of service protected by the copyright law of the United States of America, 17 U.S.C. § 102, and shall not be copied or reproduced without the express written consent of Hermes Architects, Inc.



Shaw's Jewelers  
West Gray  
1021 West Gray Ave.  
Houston, Texas

Shaw's Jewelers  
1014 West Gray Street  
Houston, Texas 77019

DATE 11.11.2011  
PROJECT NO. 1102100  
DRAWN BY --  
CHECKED BY --

Exterior Elevations

A3.1

K:\1102100\DRAWINGS\4-PLOT SHEETS\A3.1 EXTERIOR ELEVATIONS.DWG 11/4/2011 10:30:28 AM DARREN PENEWITT