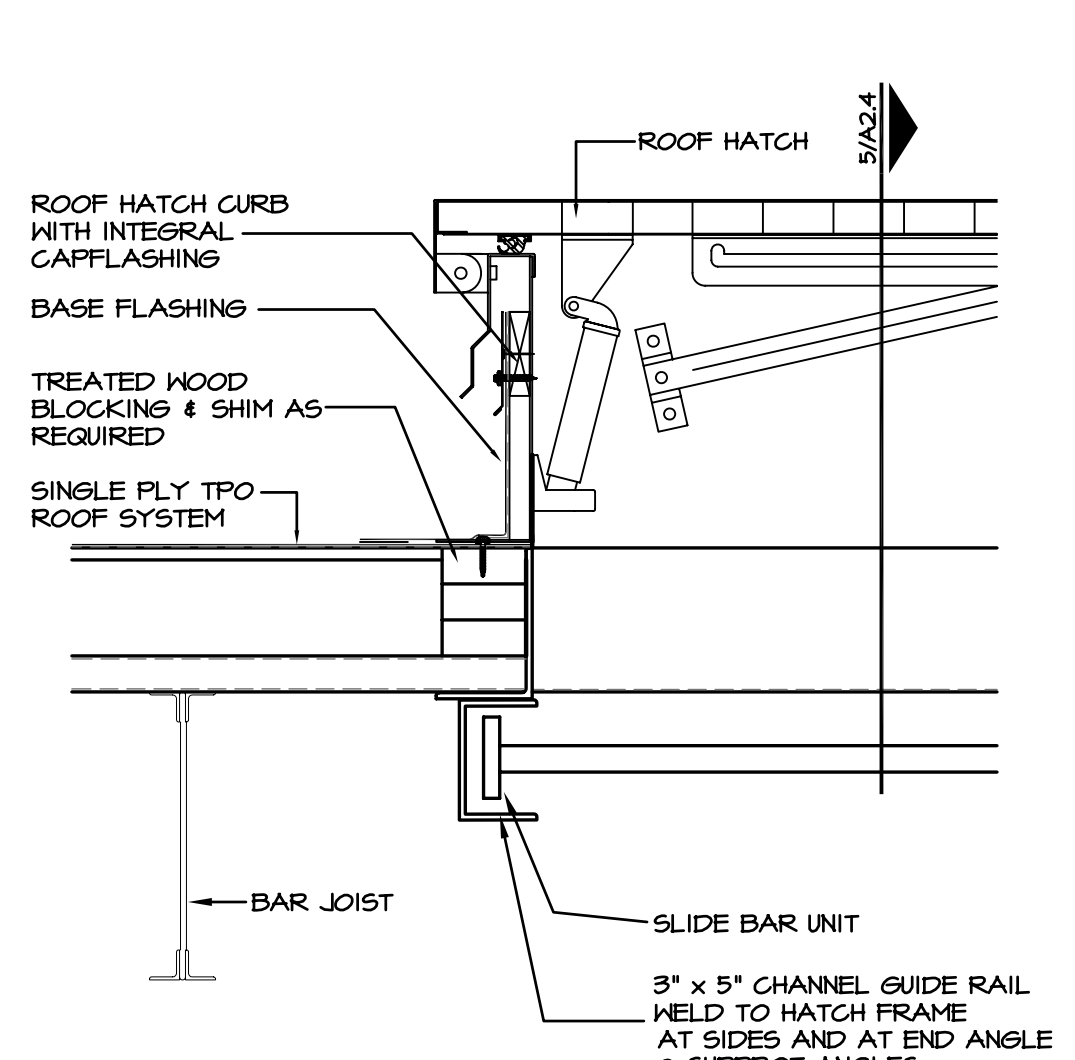
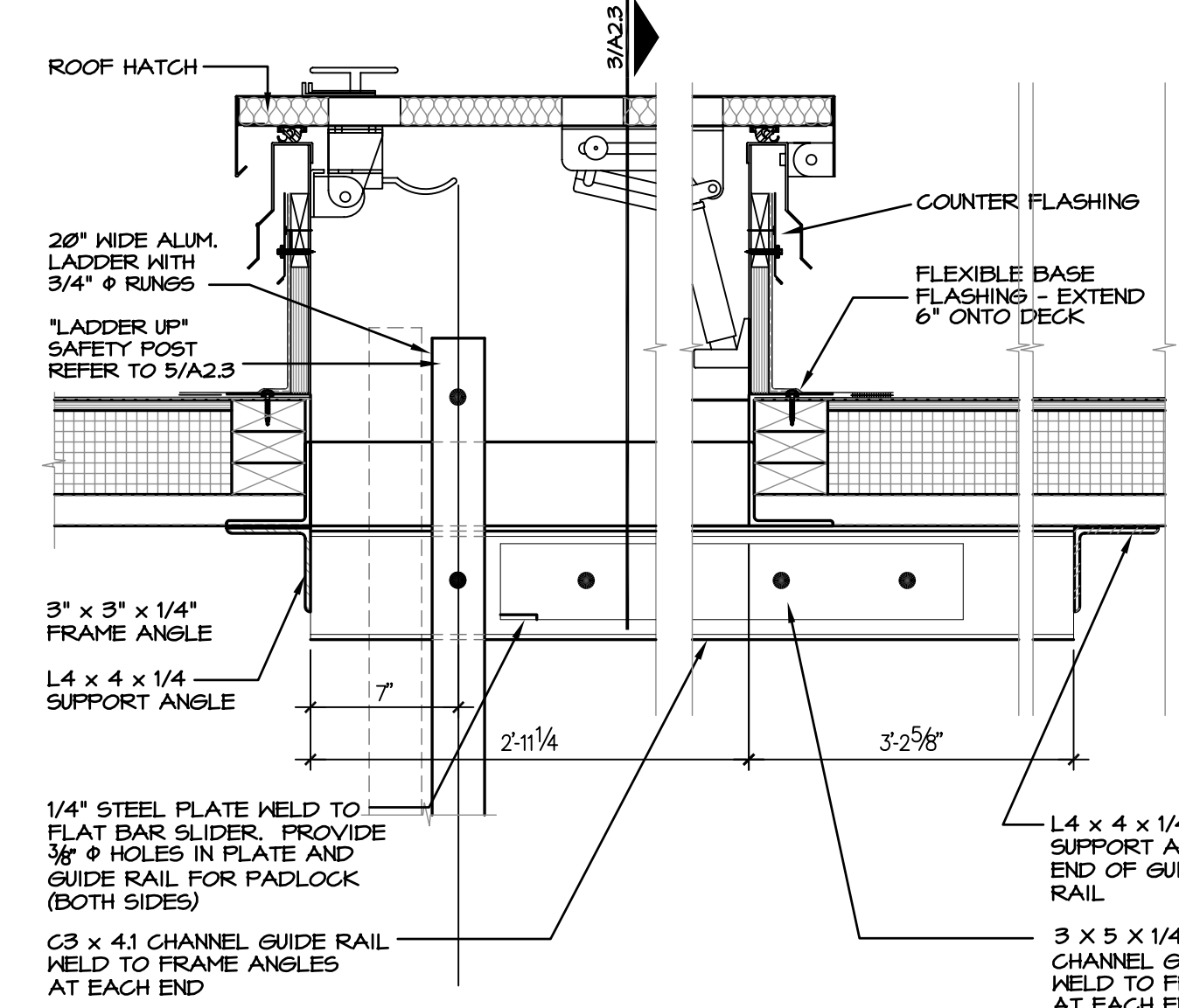


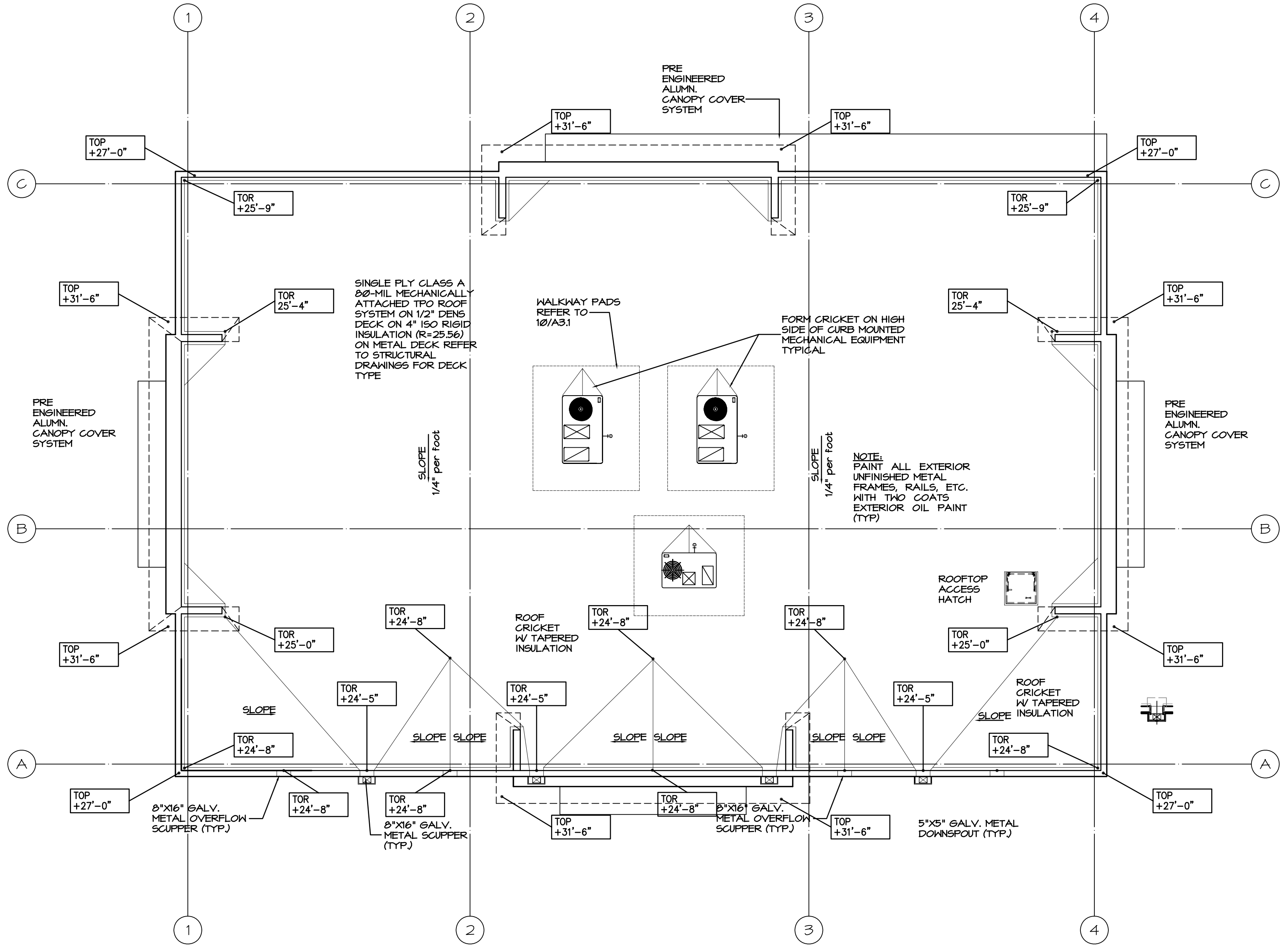
3 ROOF HATCH PLAN
 A2.3 SCALE: 3/4" = 1'-0"



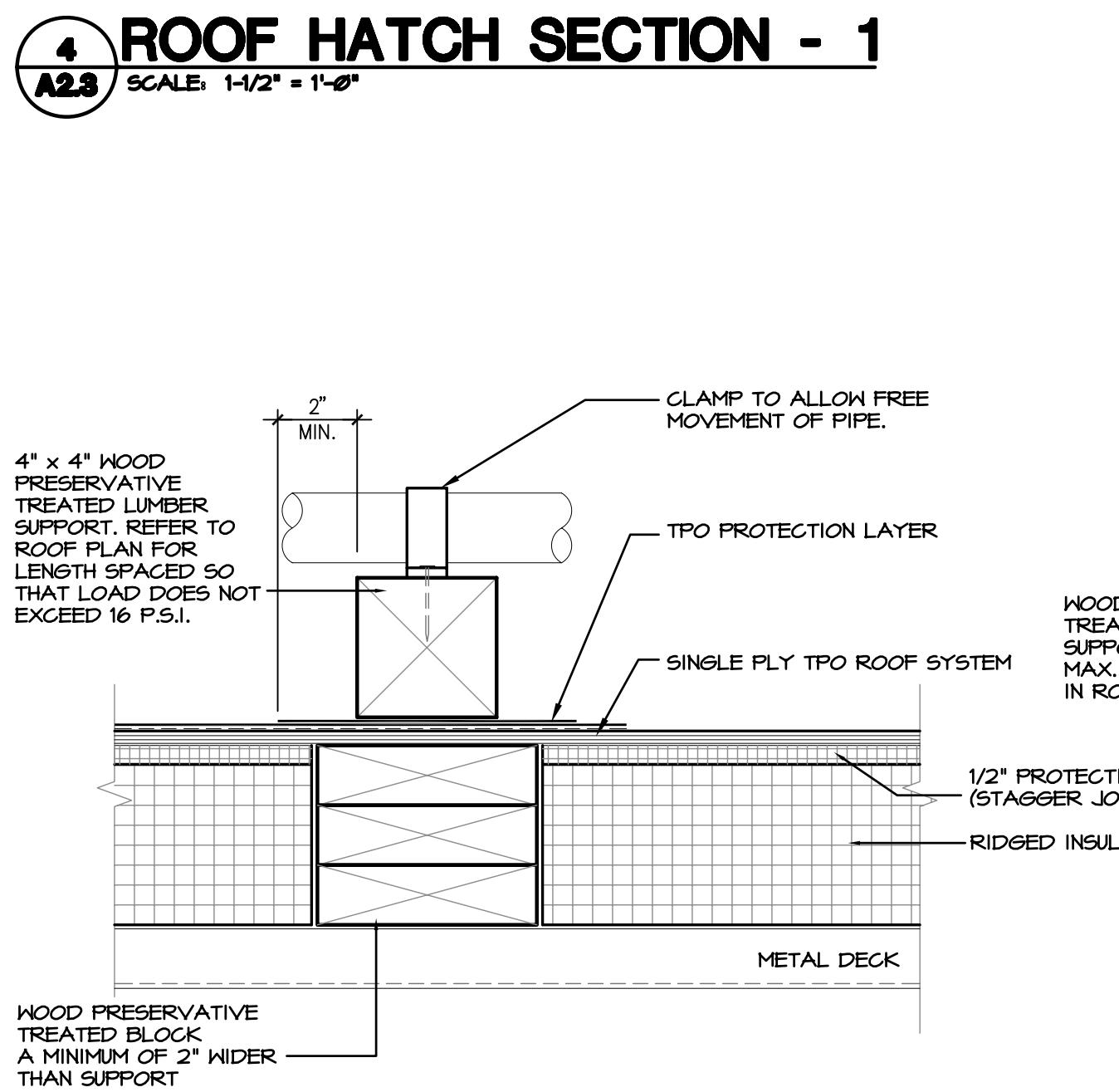
3 ROOF HATCH SECTION
 A2.3 SCALE: 1 1/2" = 1'-0"



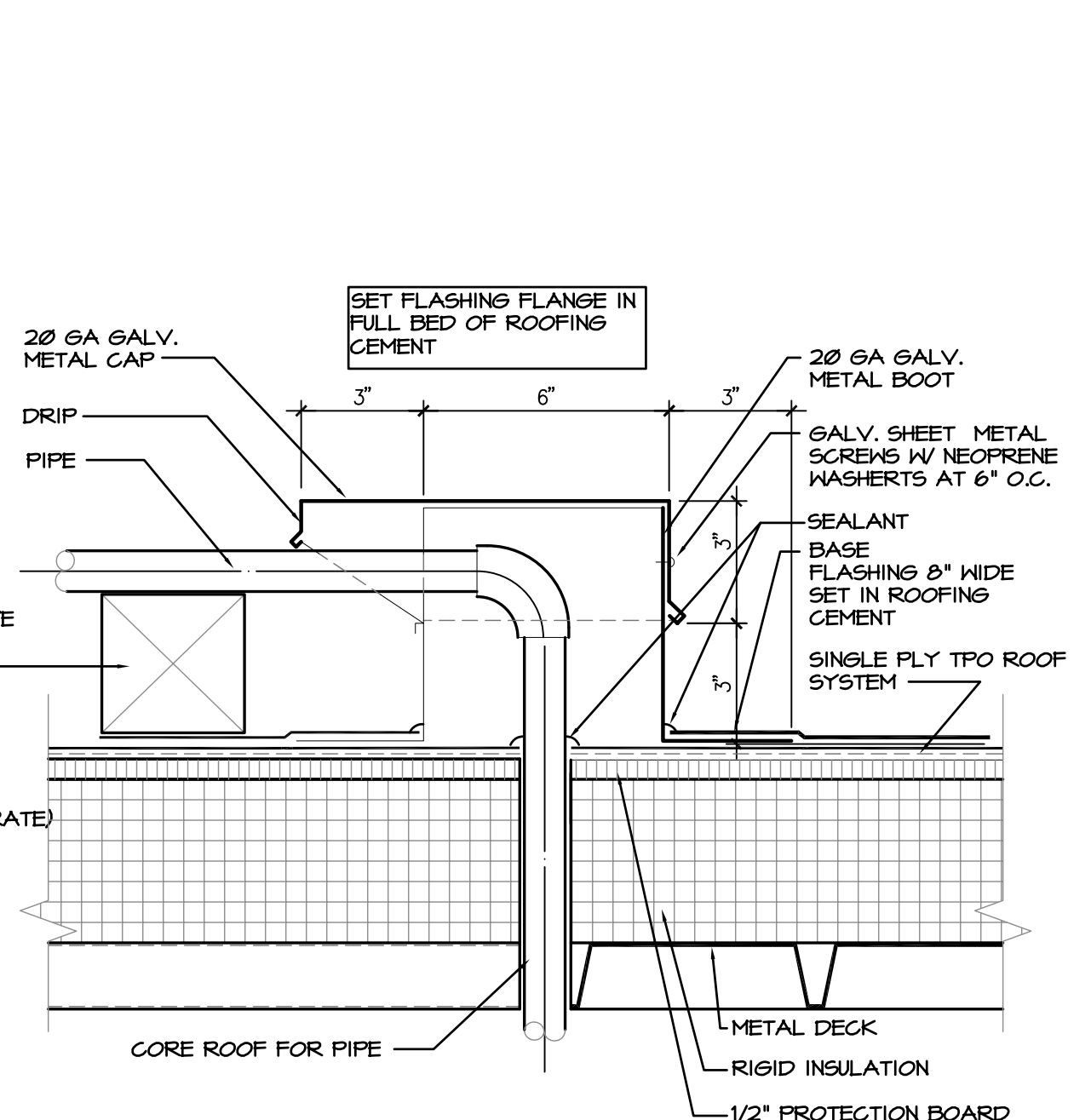
4 ROOF HATCH SECTION - 1
 A2.3 SCALE: 1 1/2" = 1'-0"



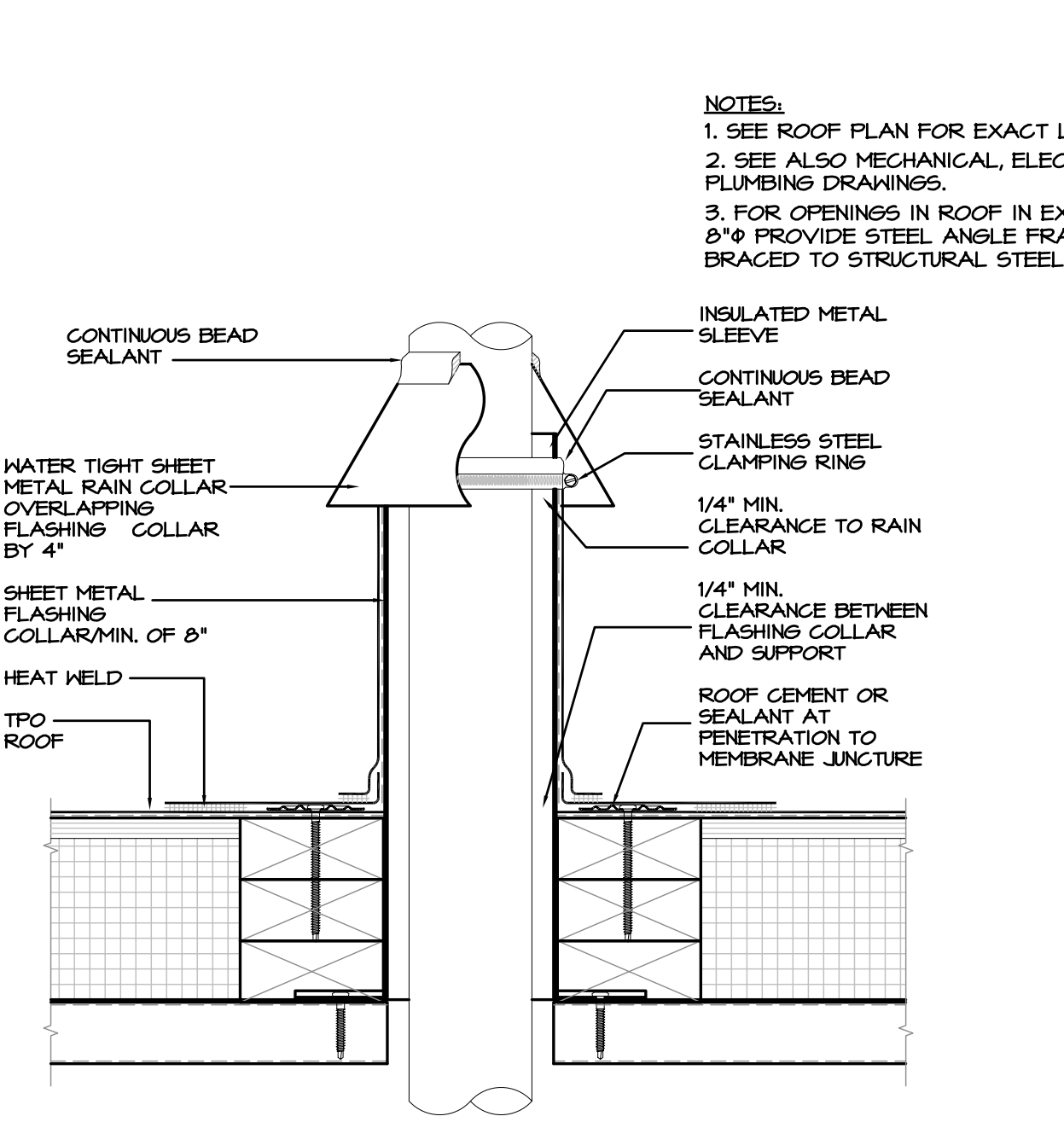
1 ROOF PLAN
 A2.3 SCALE: 1/8" = 1'-0"



6 ROOF SLEEPER DETAIL
 A2.3 SCALE: 3" = 1'-0"



7 SMALL ROOF JACK SECTION
 A2.3 SCALE: 3" = 1'-0"



8 PIPE PENETRATION WITH BOOT
 A2.3 SCALE: 3" = 1'-0"

NOTES:
 1. SEE ROOF PLAN FOR EXACT LOCATIONS
 2. SEE ALSO MECHANICAL, ELECTRICAL, AND PLUMBING DRAWINGS.
 3. FOR OPENINGS IN ROOF IN EXCESS OF 8\"/>

ROOF PLAN NOTES:

- ALL H.V.A.C. EQUIPMENT CURBS TO HAVE CRICKETS ON UP SLOPE SIDE STRIPPED INTO ROOF MEMBRANE TO ENSURE PROPER DRAINAGE AROUND CURBS.
- ALL H.V.A.C. EQUIPMENT TO HAVE WALK BOARDS OR WALK PADS ON ALL FOUR SIDES.
- THE GENERAL CONTRACTOR IS TO PROVIDE ROLLER TYPE SUPPORTS AT 12\"/>

REFERENCE DETAILS:

ROOF MOUNTED A/C UNIT CURB DETAIL	8/A5.1
TYPICAL TUBULAR PENETRATION	8/A2.3
TYPICAL SANITARY VENTS (PLUMBING)	1/A5.1
SUPPLY/EXHAUST FAN/AIR INTAKE CURB DETAIL	8/A5.1
ROOF ACCESS LADDER	5/A2.3
ROOF JACK DETAIL	1/A2.3
ROOF WALK BOARD DETAIL	---
ROOF HATCH DETAIL	2.3 & 4/A2.3
PIPE SUPPORT DETAIL	6/A5.1
ROOF SCUPPER/DOWNSPOUT	10 & 11/A5.1

Hermes Architects

Members A.L.A.
 1177 West Loop South, Ste. 500
 Houston, Texas 77027
 Tel. 713-785-3644
 www.hermesarchitects.com
 Houston • Dallas • Ft. Worth

This document is an instrument of service protected by the copyright law of the United States of America, 17 U.S.C. § 102, and shall not be copied or reproduced without the express written consent of Hermes Architects, Inc.



Shaw's Jewelers
 West Gray
 1021 West Gray Ave.
 Houston, Texas

Shaw's Jewelers
 1014 West Gray Street
 Houston, Texas 77019

DATE	11.11.2011
PROJECT NO.	1102100
DRAWN BY	---
CHECKED BY	---

Roof Plan

A2.3