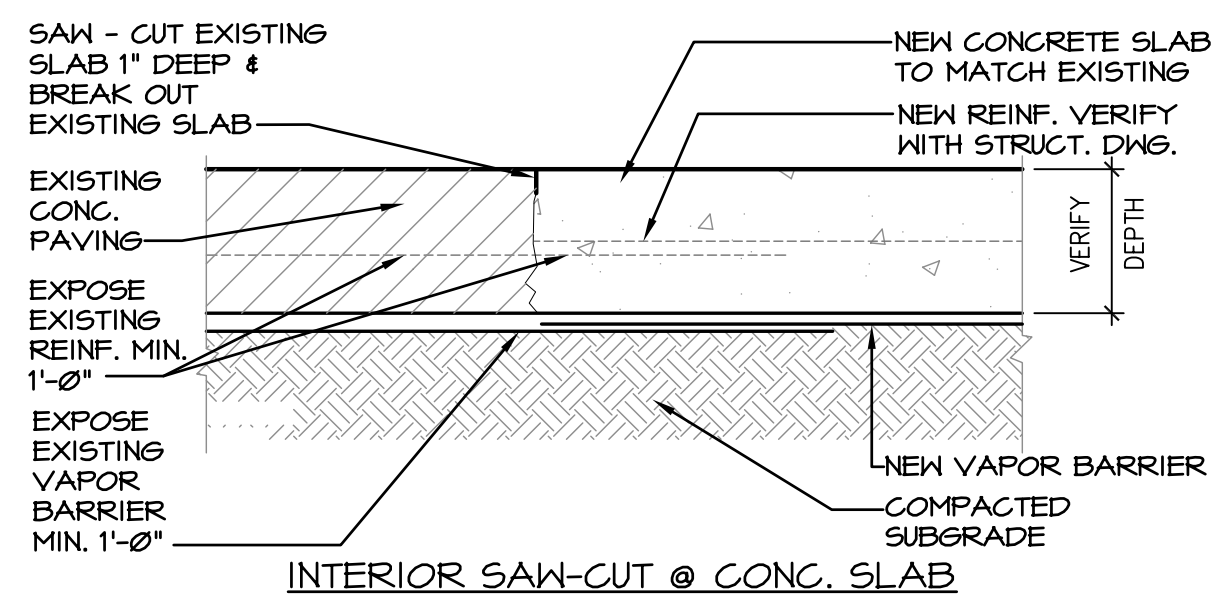
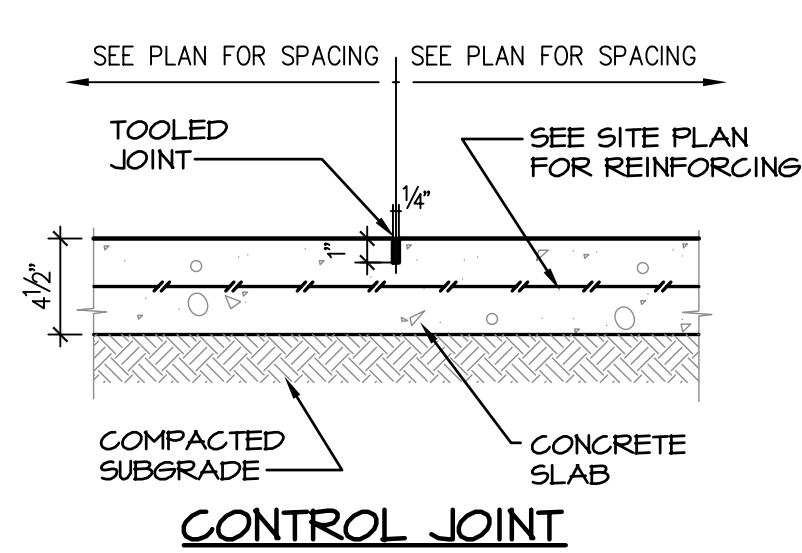


**1 SAW-CUT DETAIL**

A1.2 SCALE: 1/12" = 1'-0"

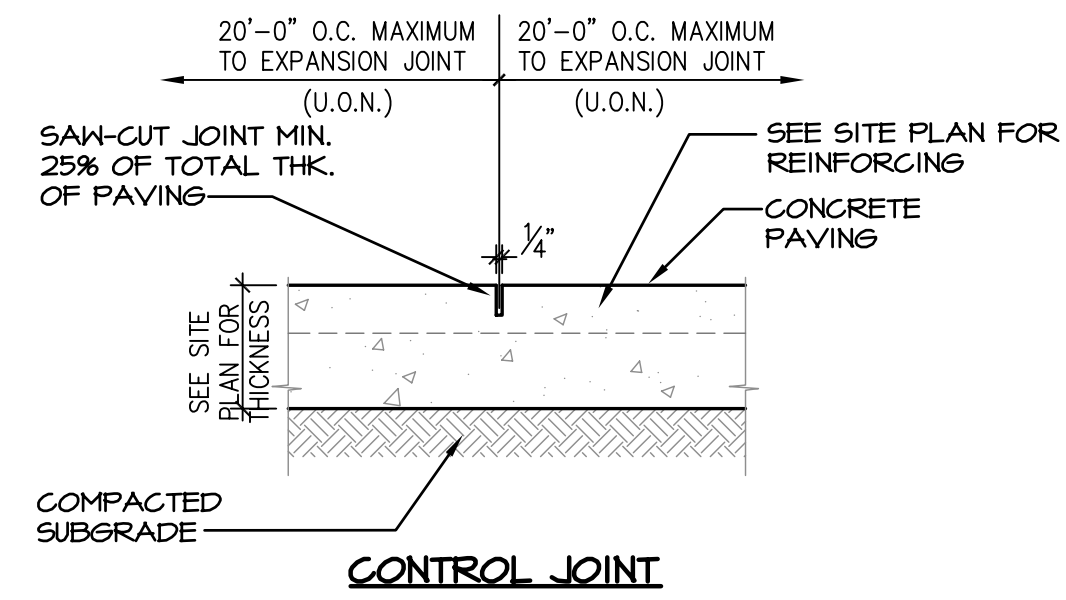


**INTERIOR SAW-CUT @ CONC. SLAB**



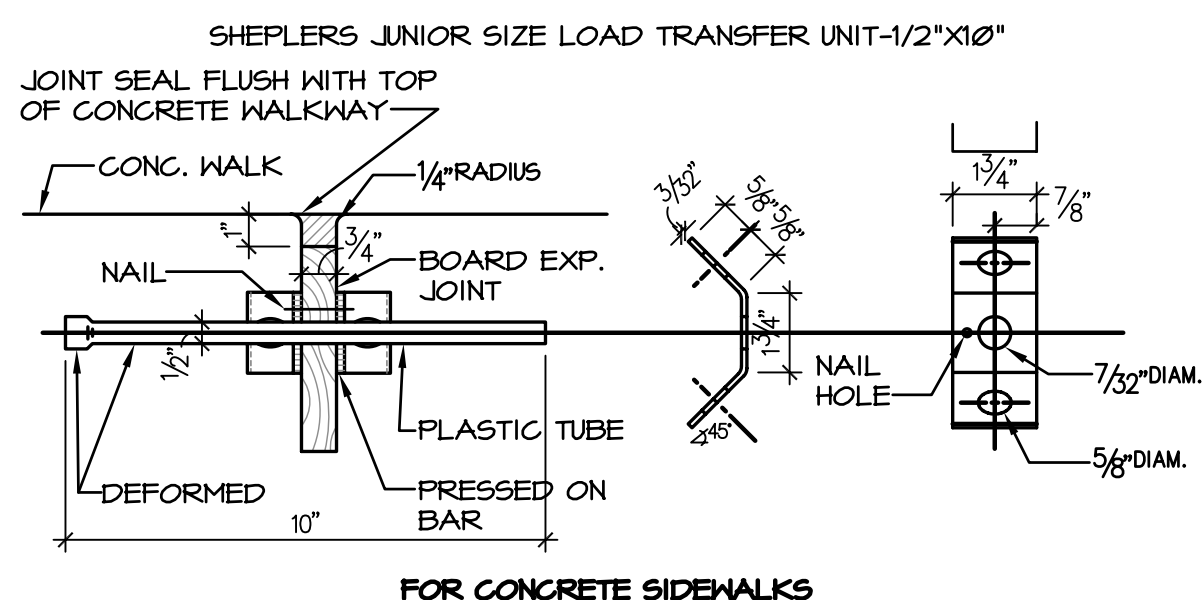
**TYPICAL CONCRETE WALKWAY DTLS.**

**2 A1.2 SCALE: 1/12" = 1'-0"**



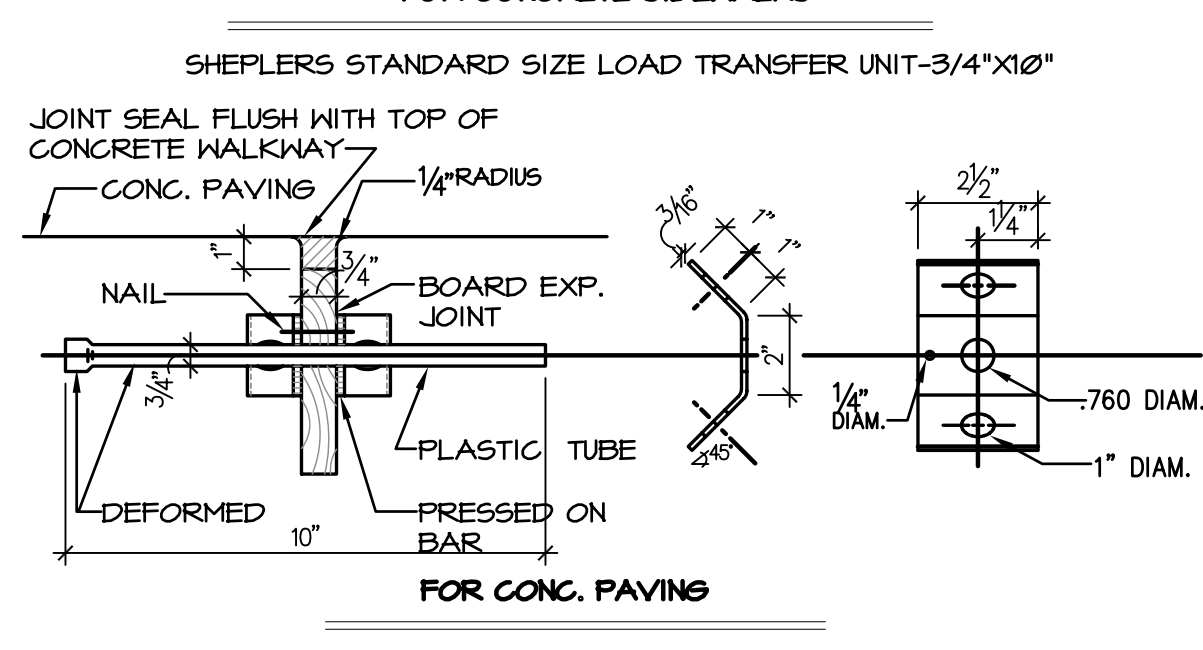
**TYPICAL CONCRETE PAVING JOINTS**

**3 A1.2 SCALE: 1/12" = 1'-0"**

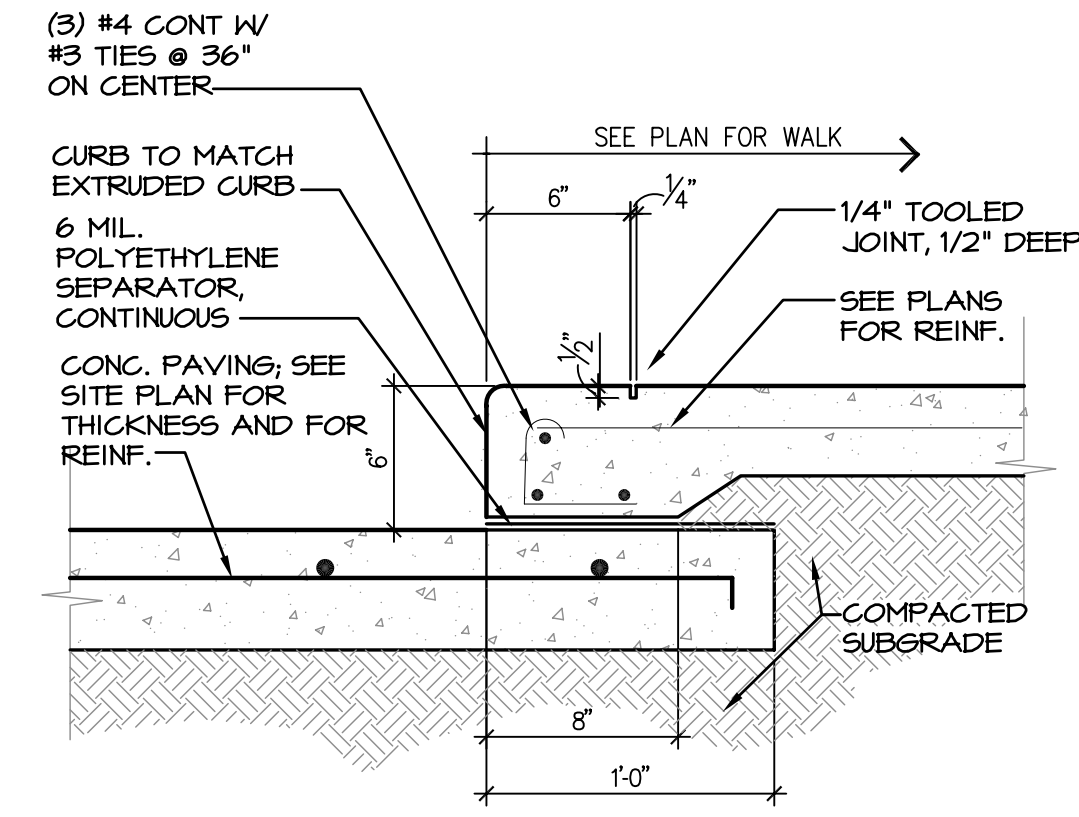


**FOR CONCRETE SIDEWALKS**

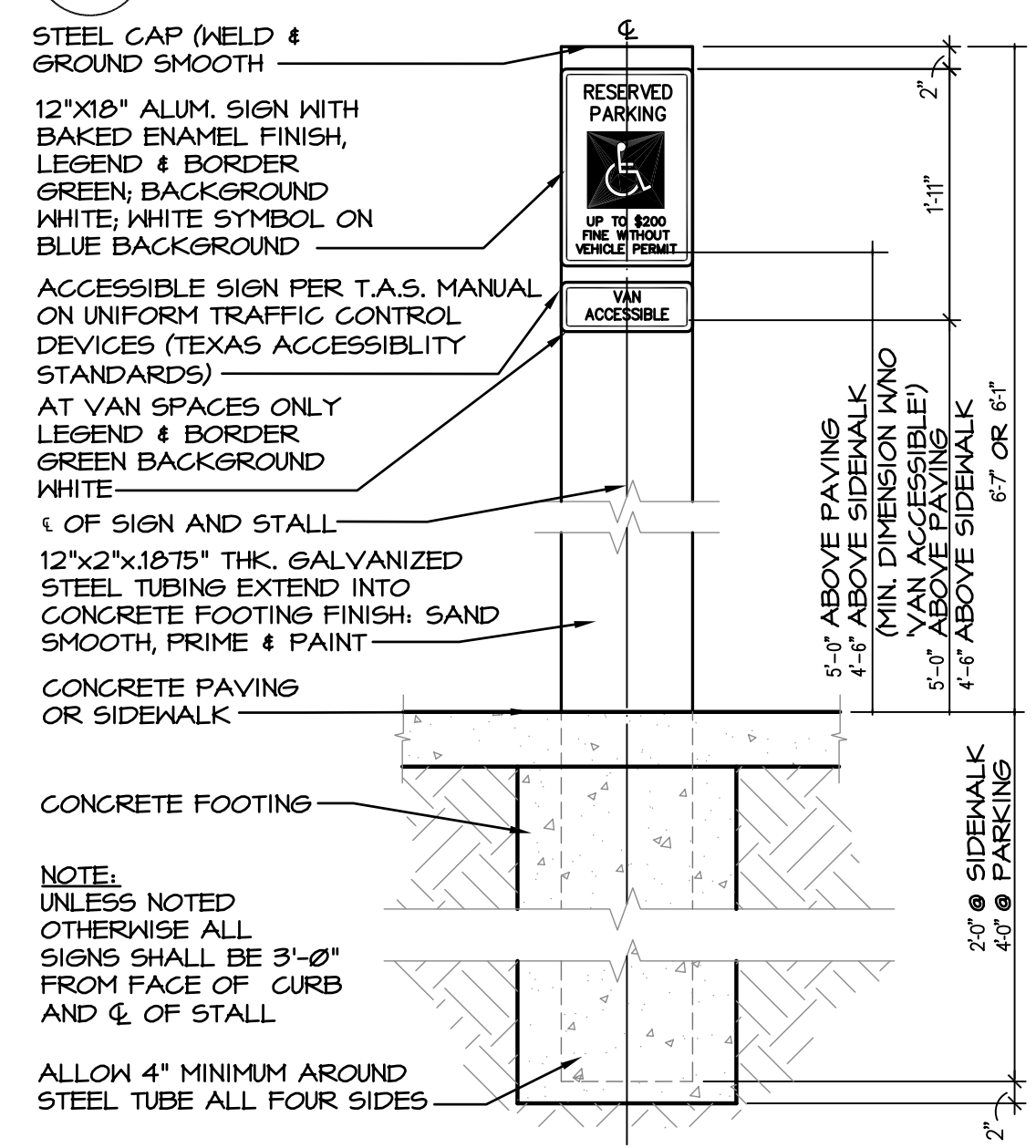
**4 A1.2 SCALE: 3\"/>**



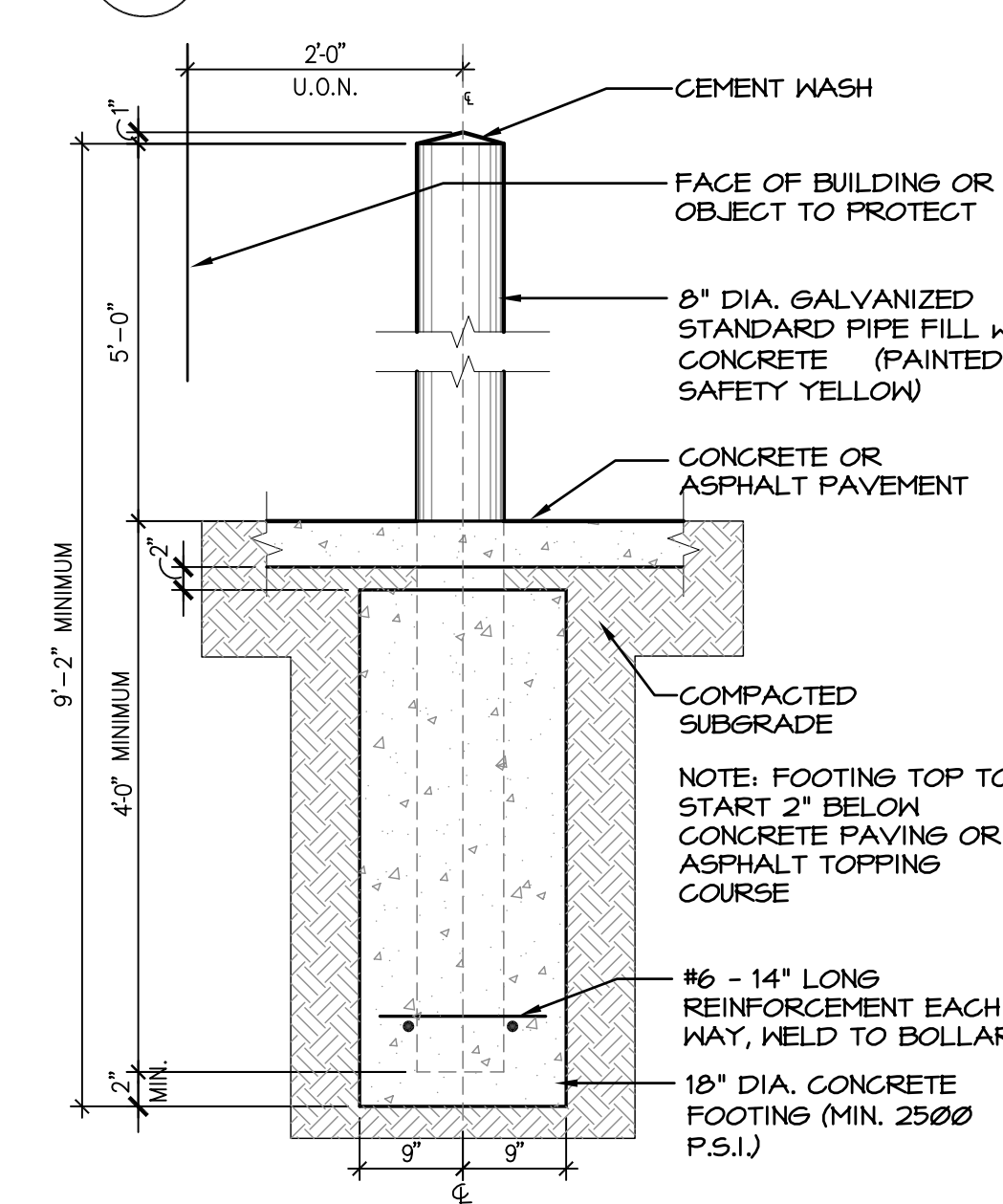
**FOR CONG. PAVING**



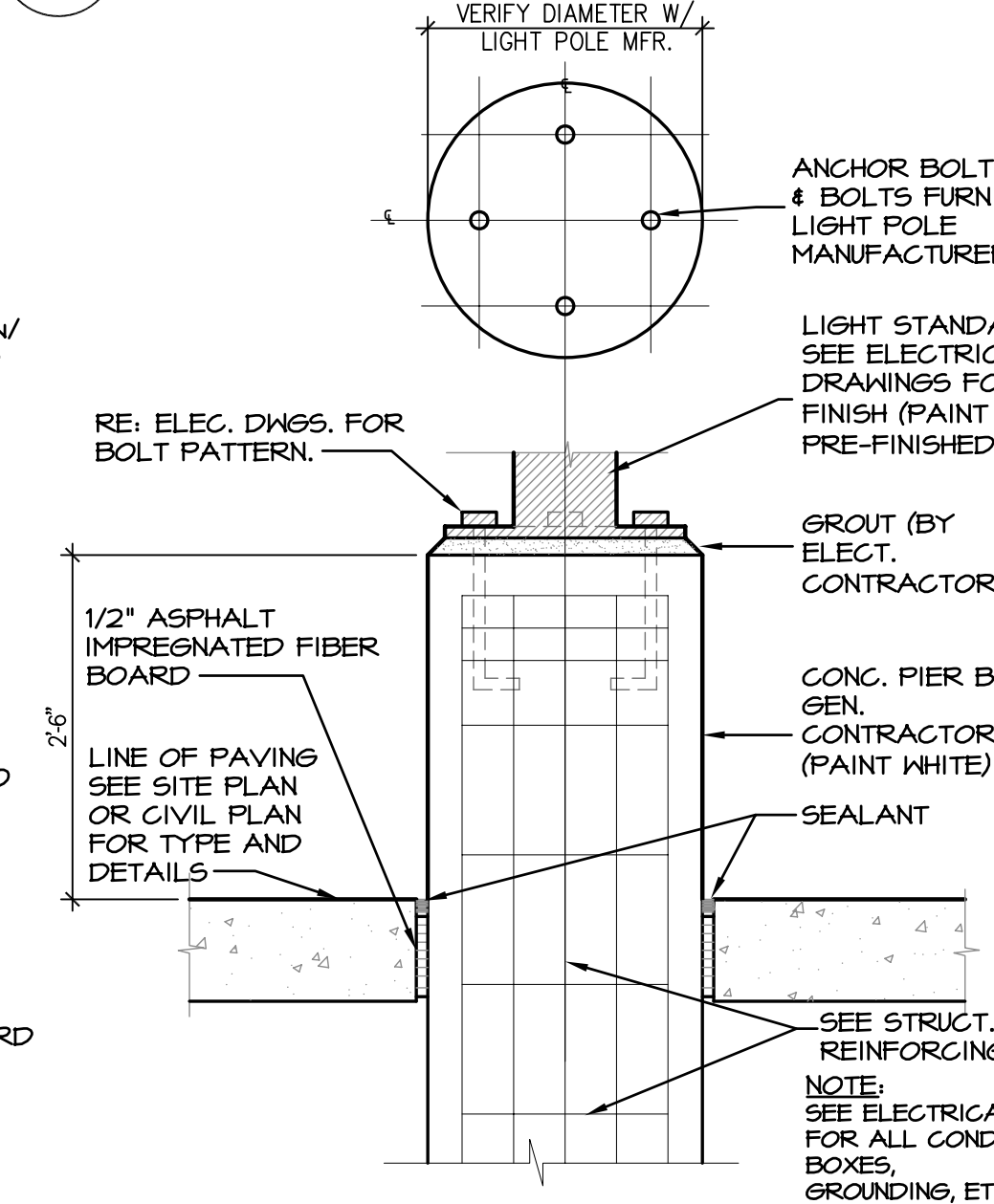
**5 A1.2 SCALE: 1/12" = 1'-0"**



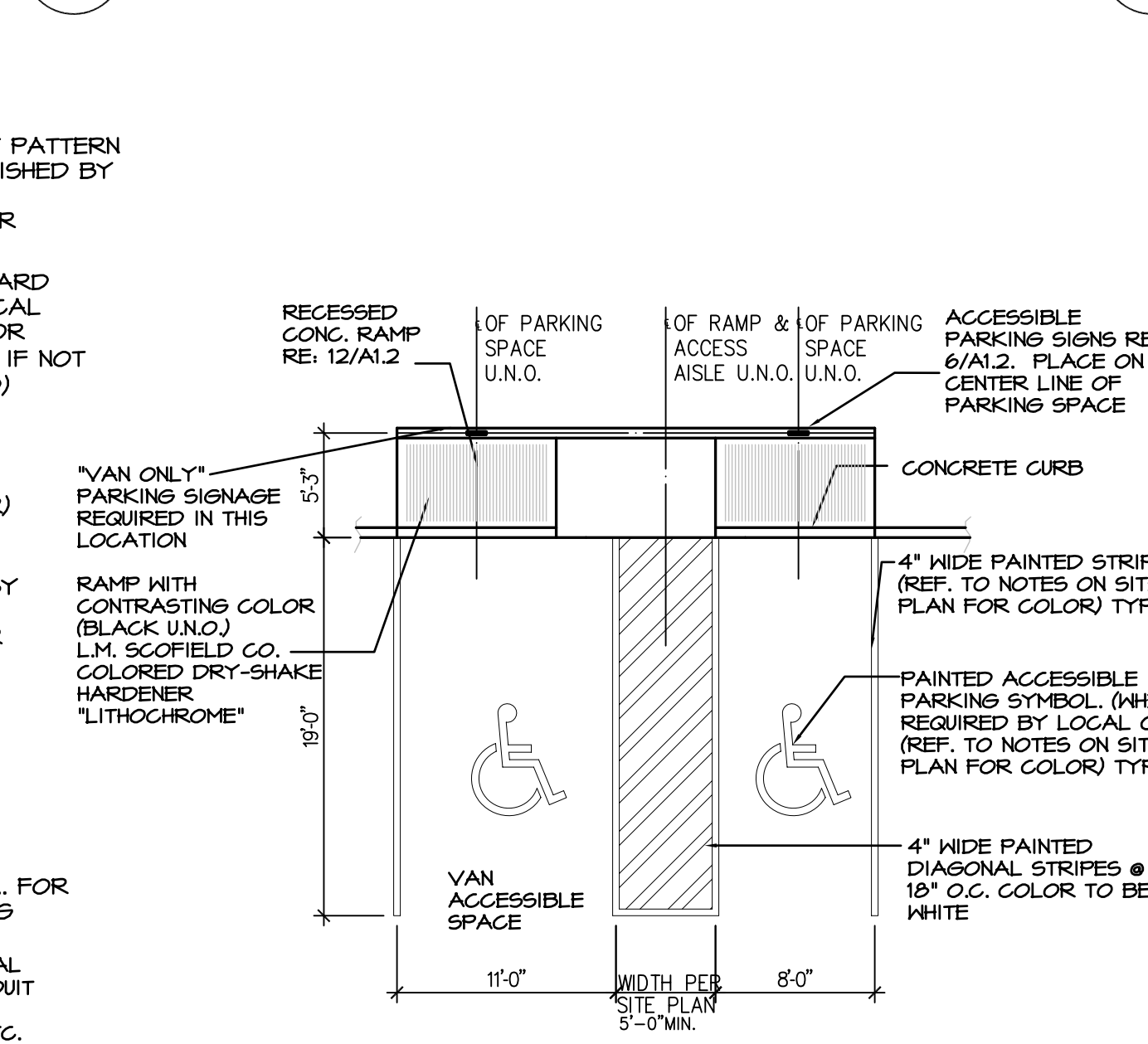
**6 A1.2 SCALE: 3/4\"/>**



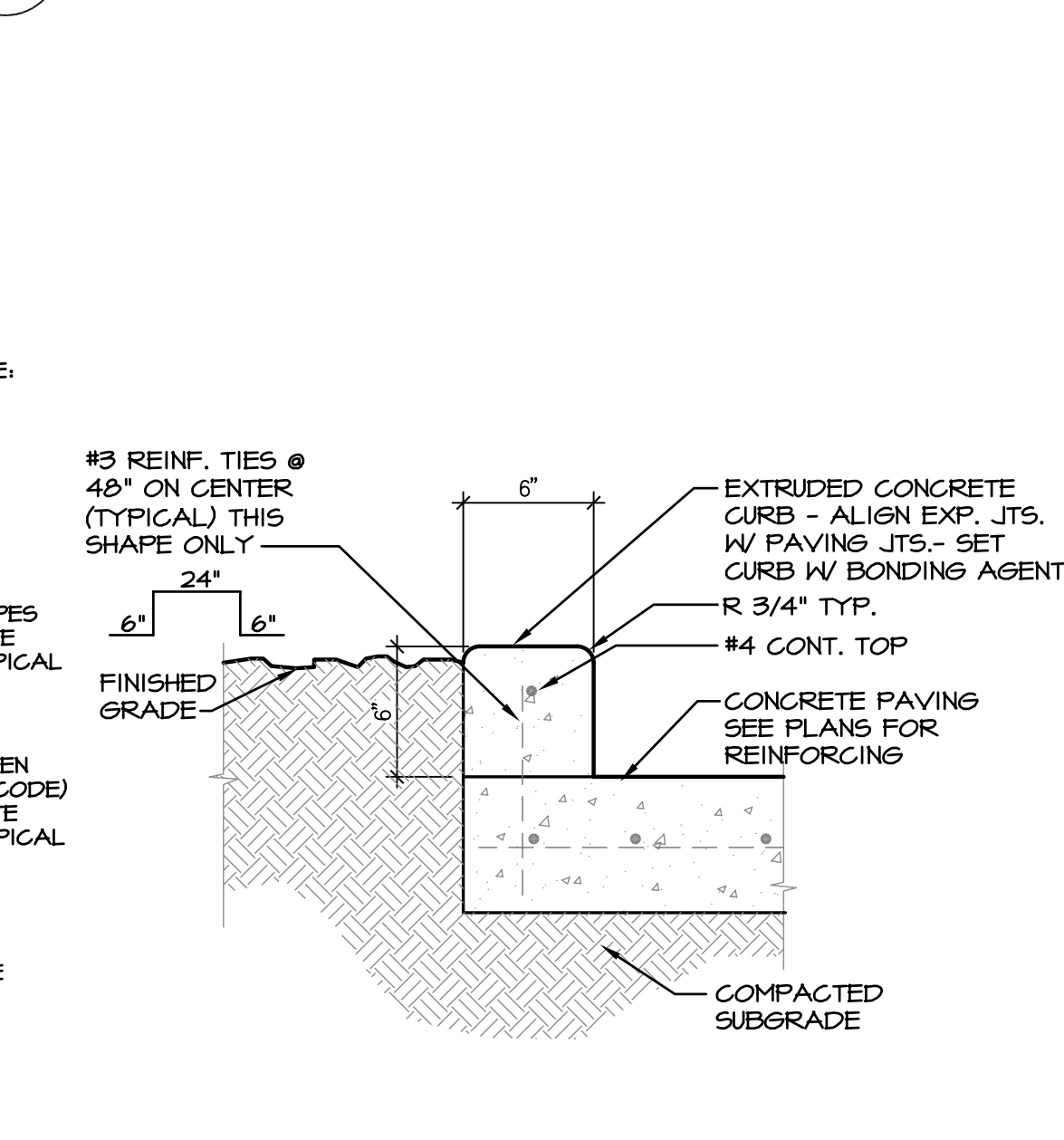
**7 A1.2 SCALE: 3/4\"/>**



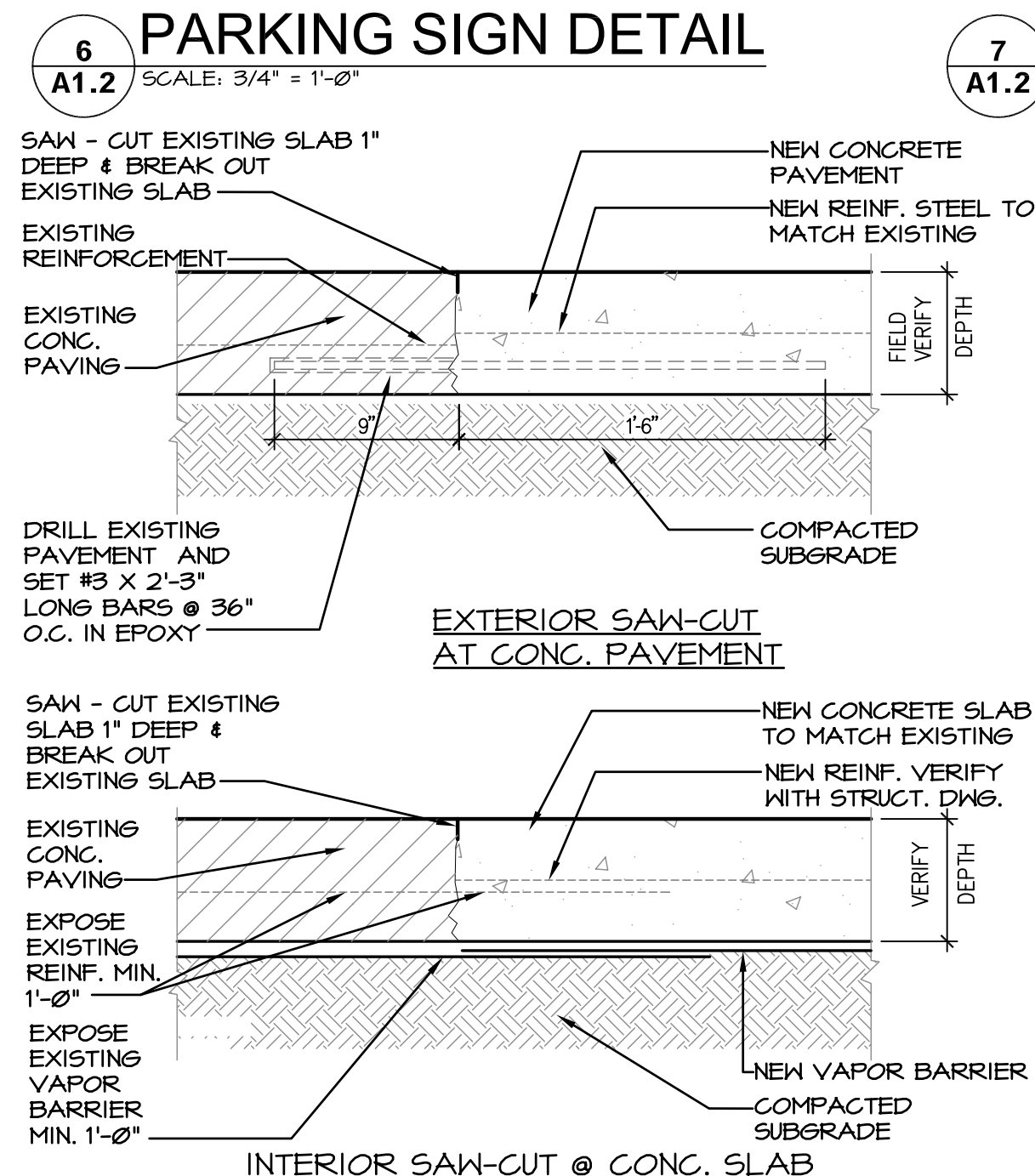
**8 A1.2 SCALE: 3/4\"/>**



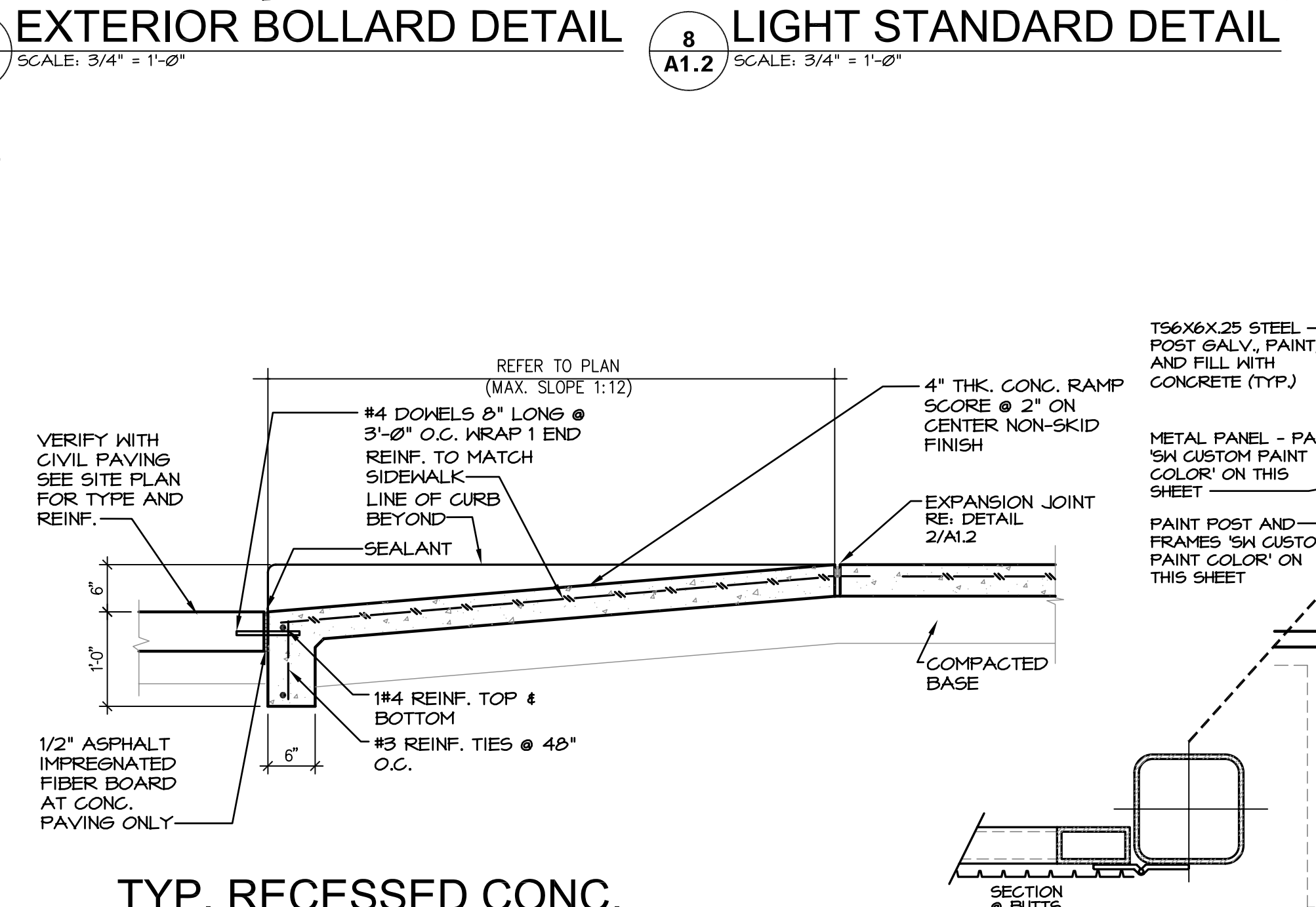
**9 A1.2 SCALE: 1/8\"/>**



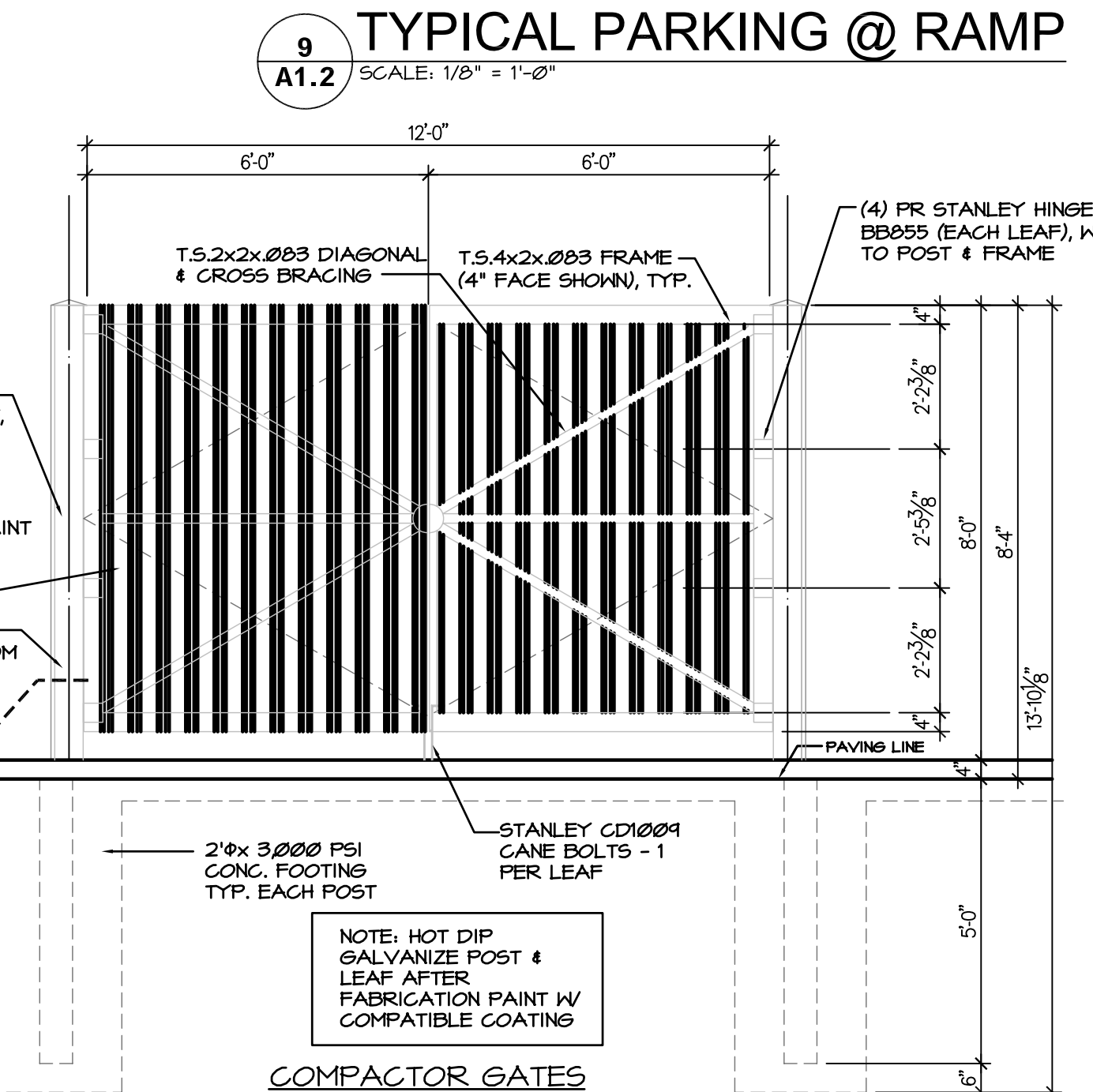
**10 A1.2 SCALE: 1/12\"/>**



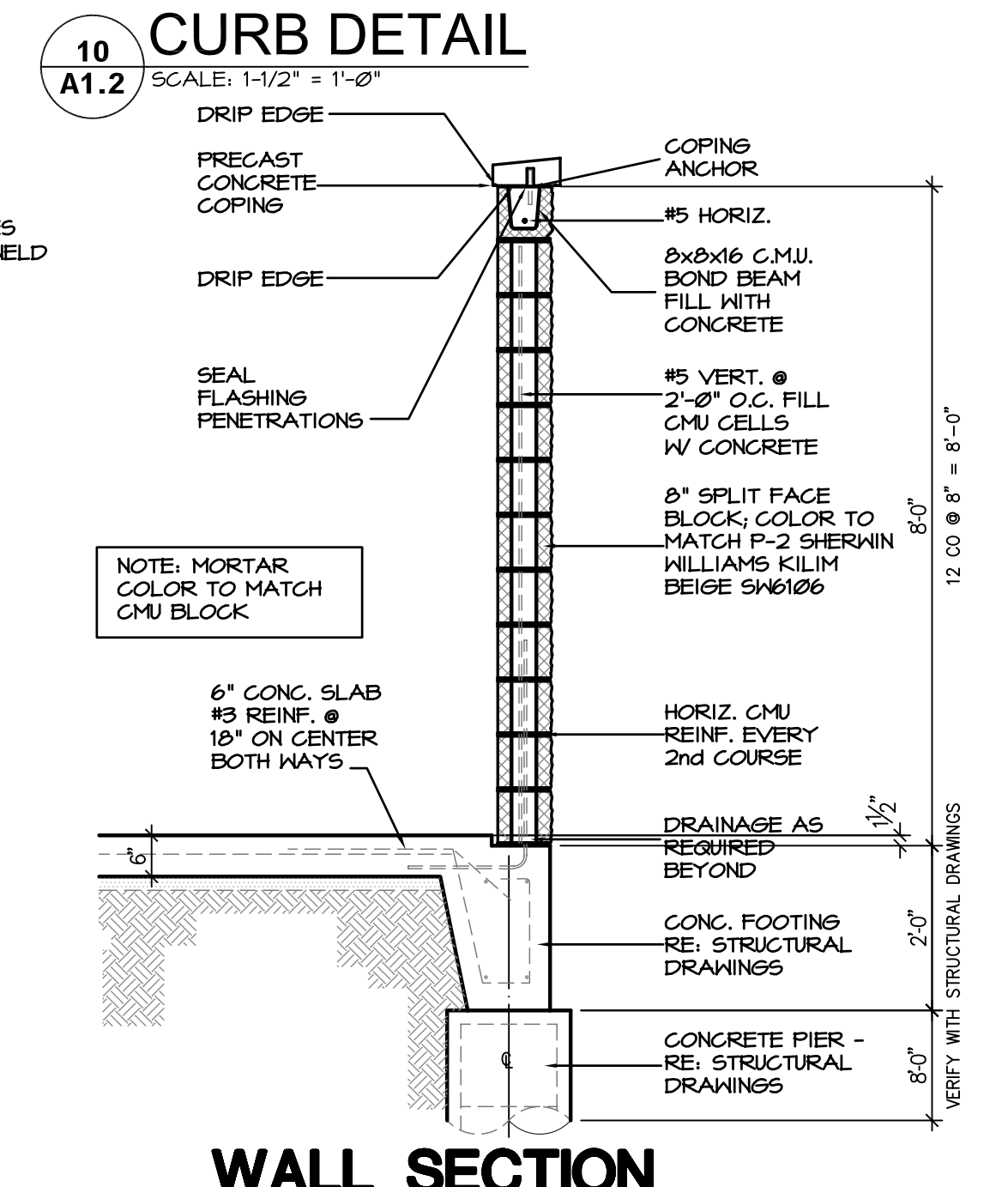
**11 A1.2 SCALE: 1/12\"/>**



**12 A1.2 SCALE: 3/4\"/>**



**13 A1.2 SCALE: 3/8\"/>**



**14 A1.2 SCALE: 1/2\"/>**

**Hermes Architects**

Members A.I.A.  
1177 West Loop South, Ste. 500  
Houston, Texas 77027  
Tel. 713-785-3644  
www.hermesarchitects.com  
Houston • Dallas • Ft. Worth

This document is an instrument of service protected by the copyright law of the United States of America, 17 U.S.C. § 102, and shall not be copied or reproduced without the express written consent of Hermes Architects, Inc.



Shaw's Jewelers  
West Gray  
1021 West Gray Ave.  
Houston, Texas

Shaw's Jewelers  
1014 West Gray Street  
Houston, Texas 77019

DATE	11.11.2011
PROJECT NO.	1102100
DRAWN BY	--
CHECKED BY	--

Site Details

A1.2