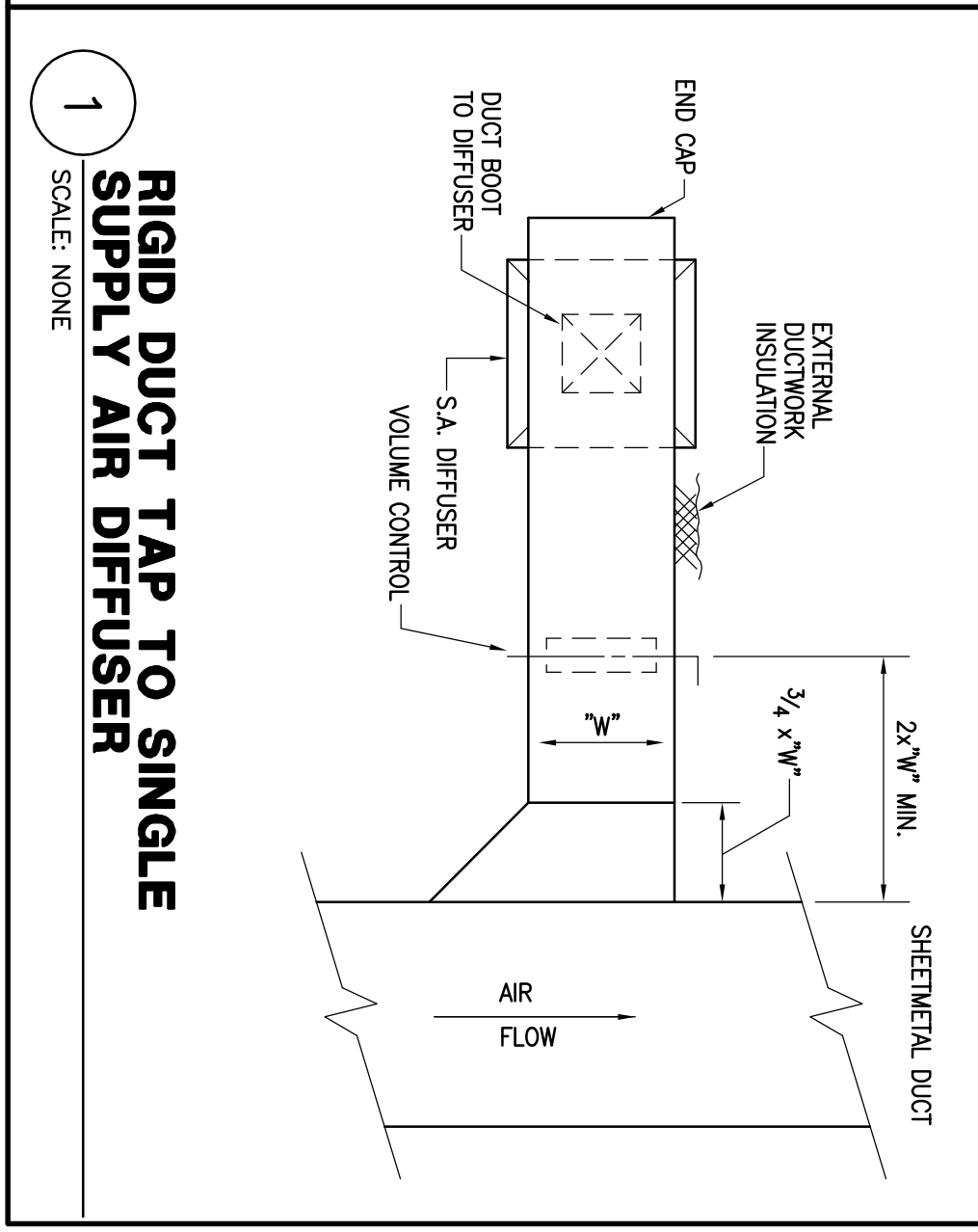
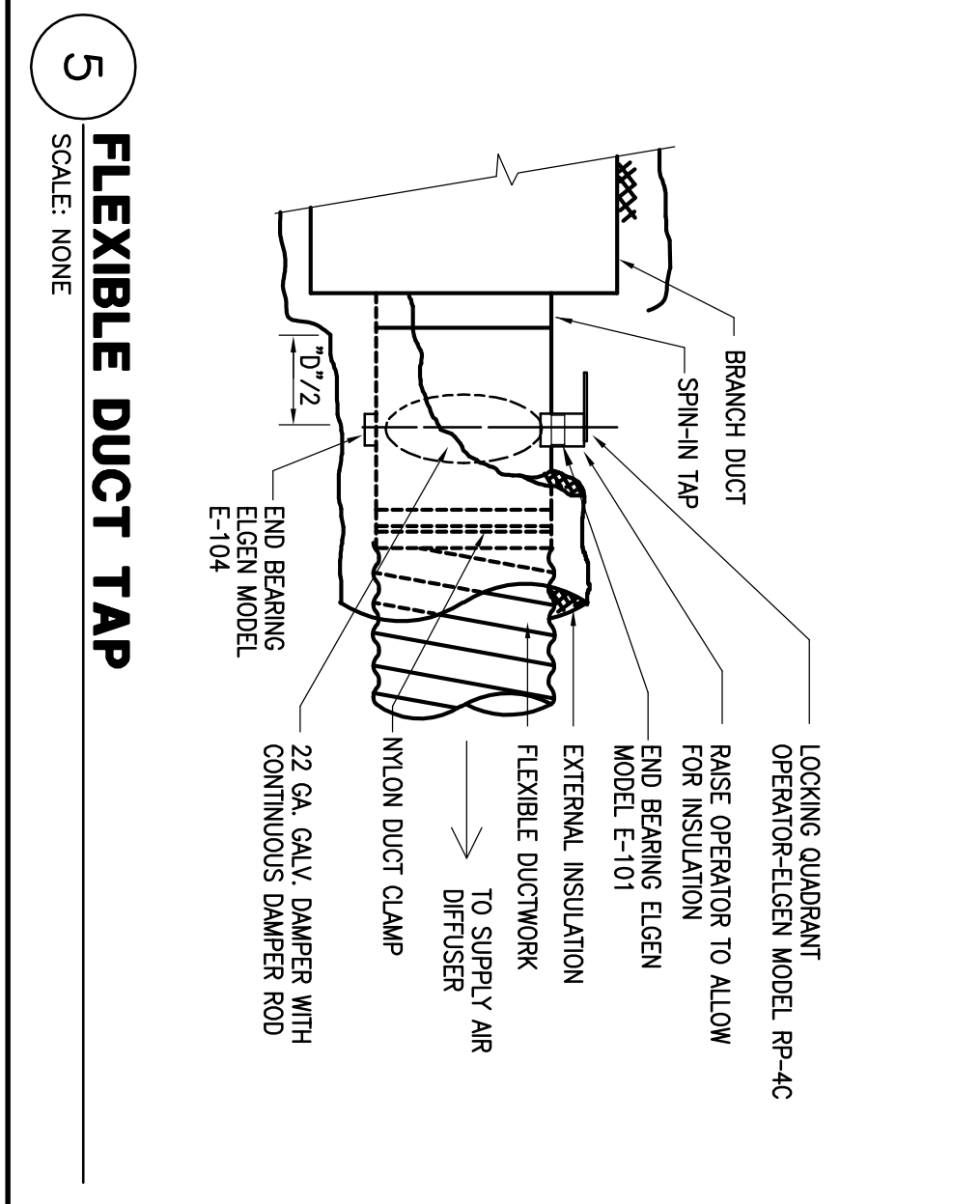
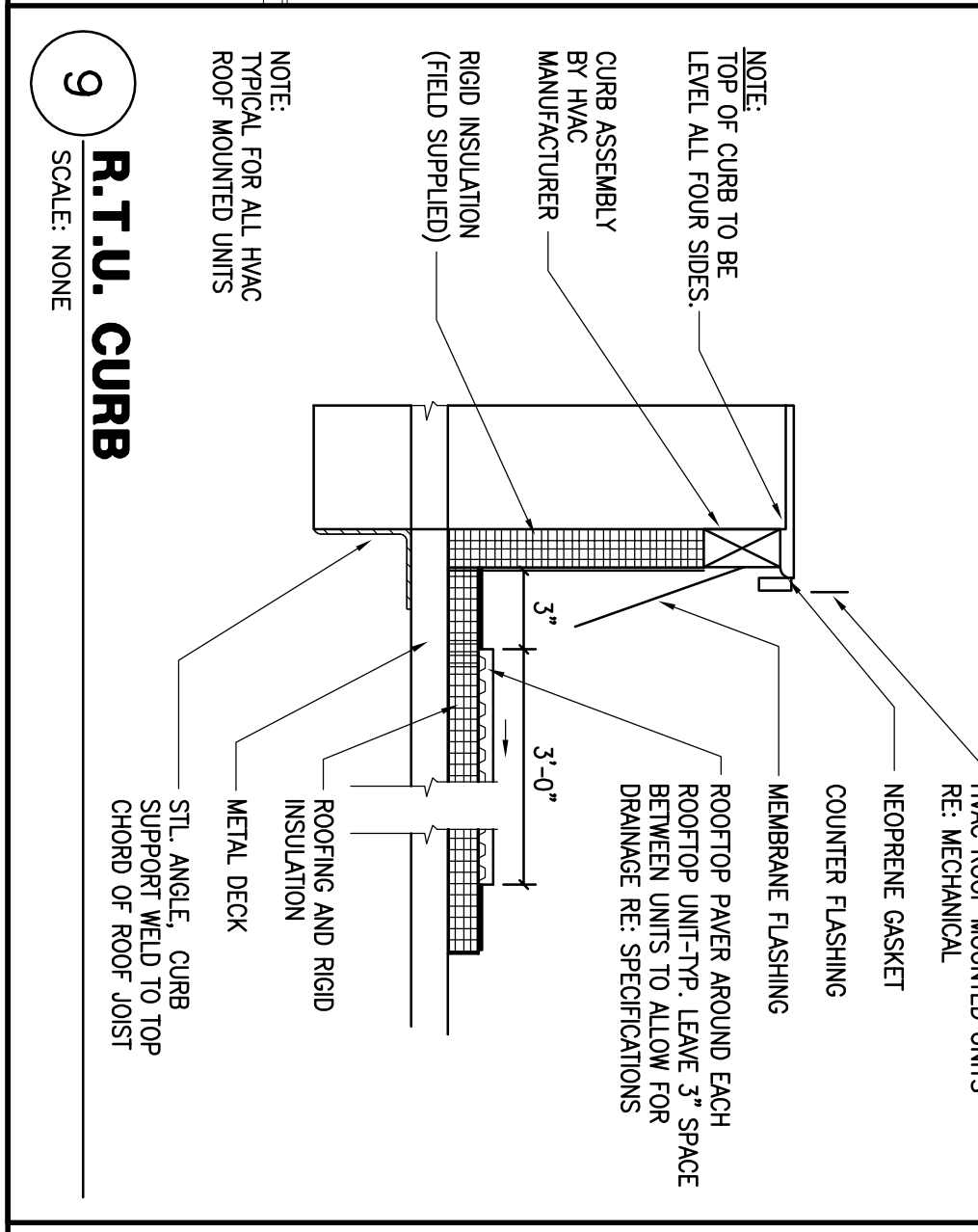
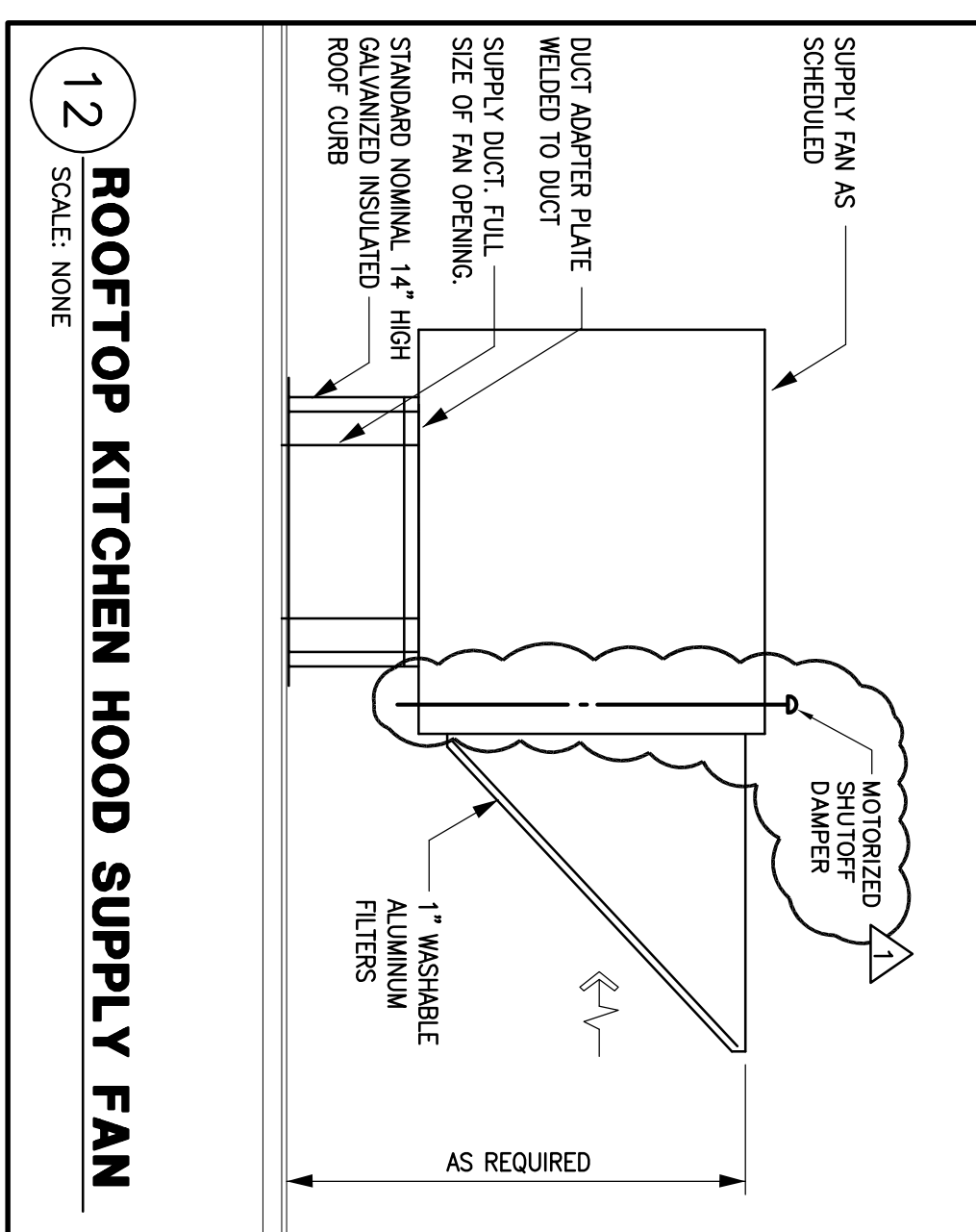
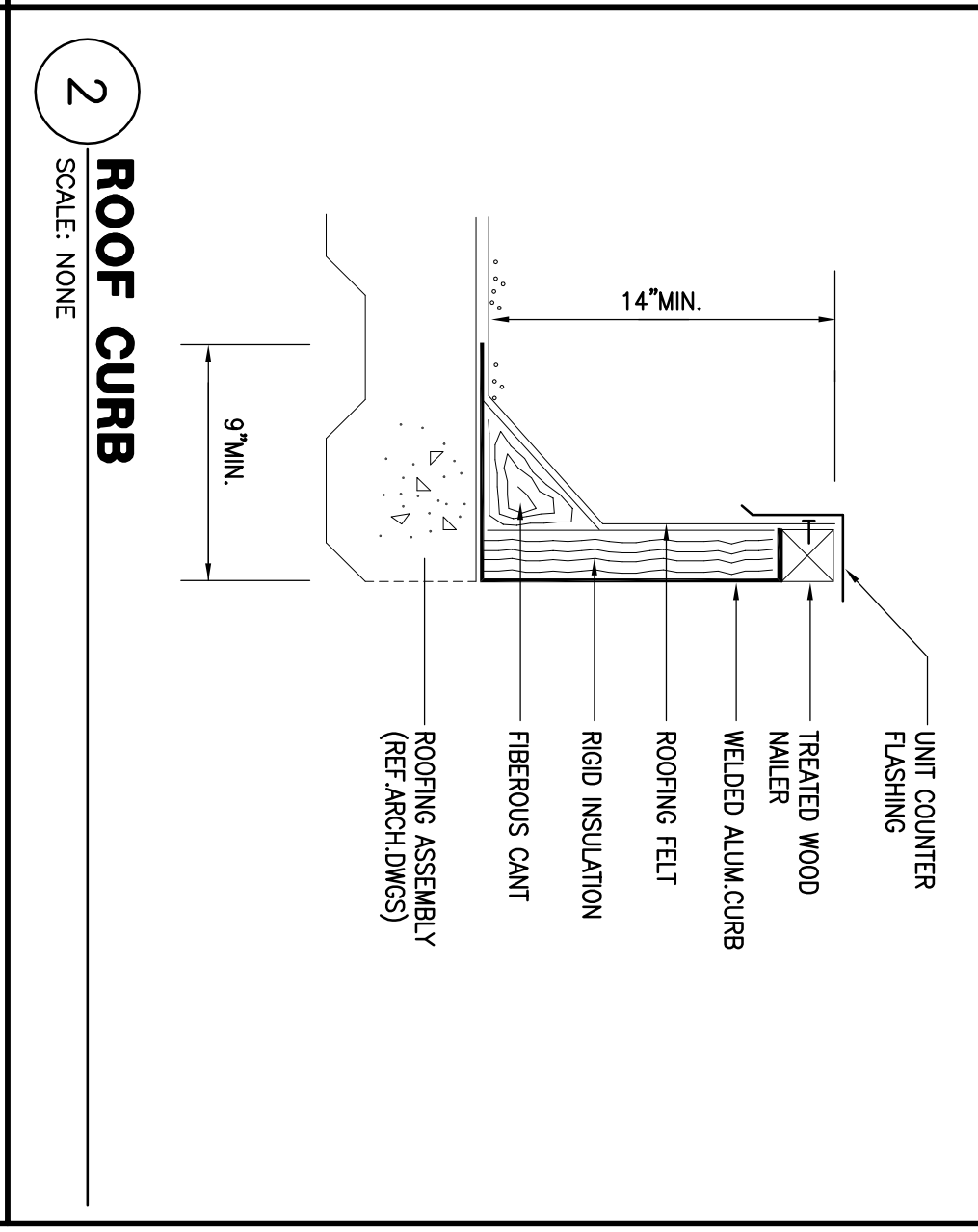
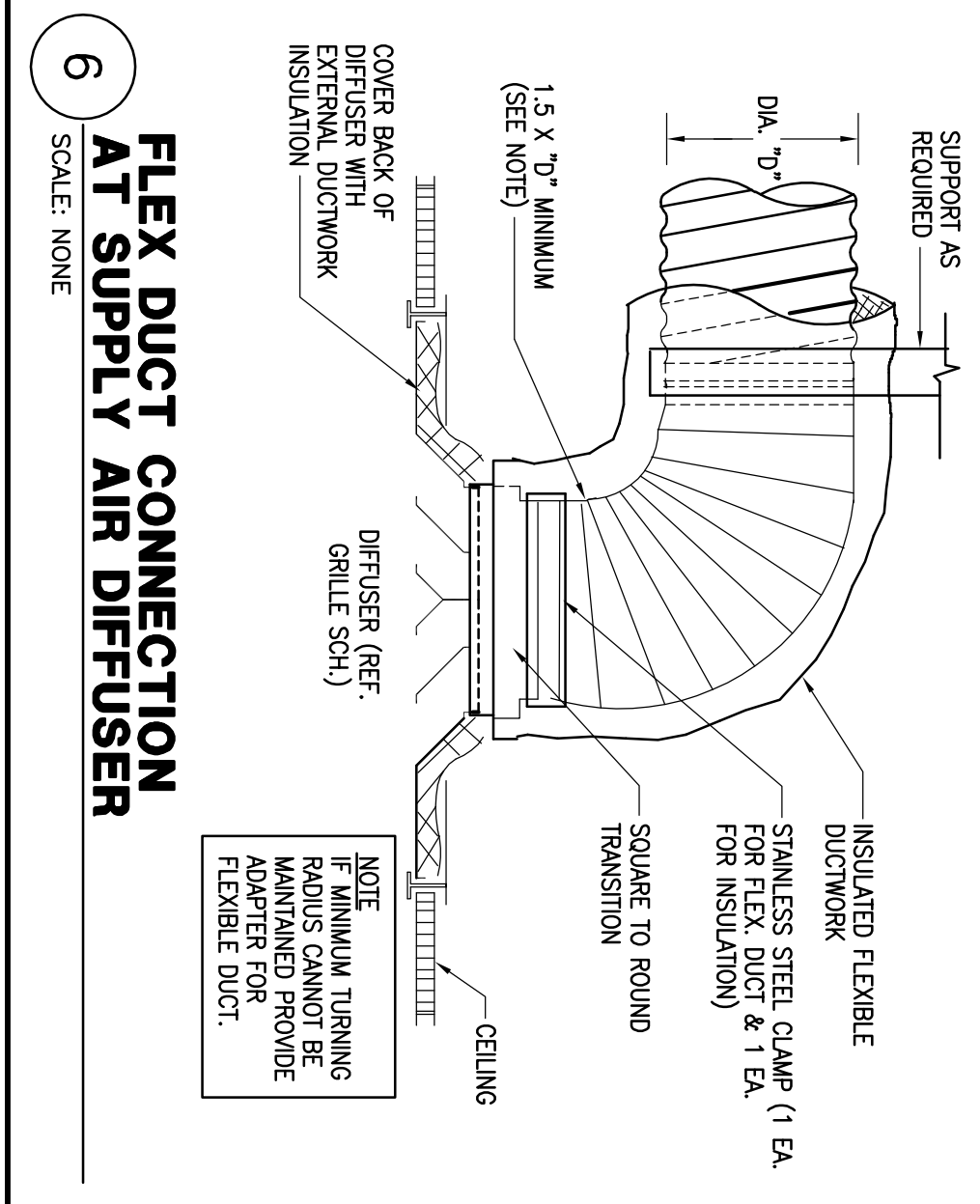
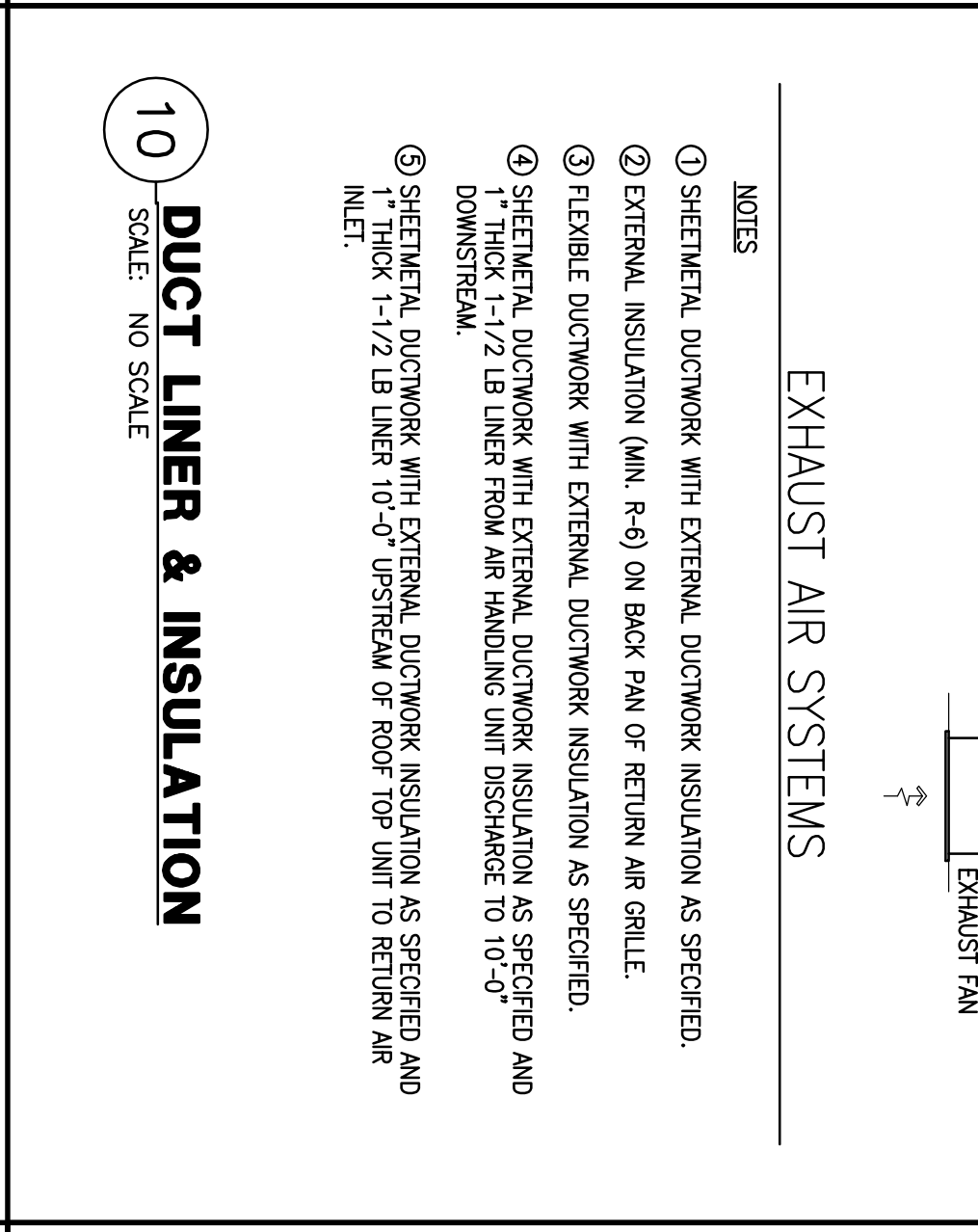
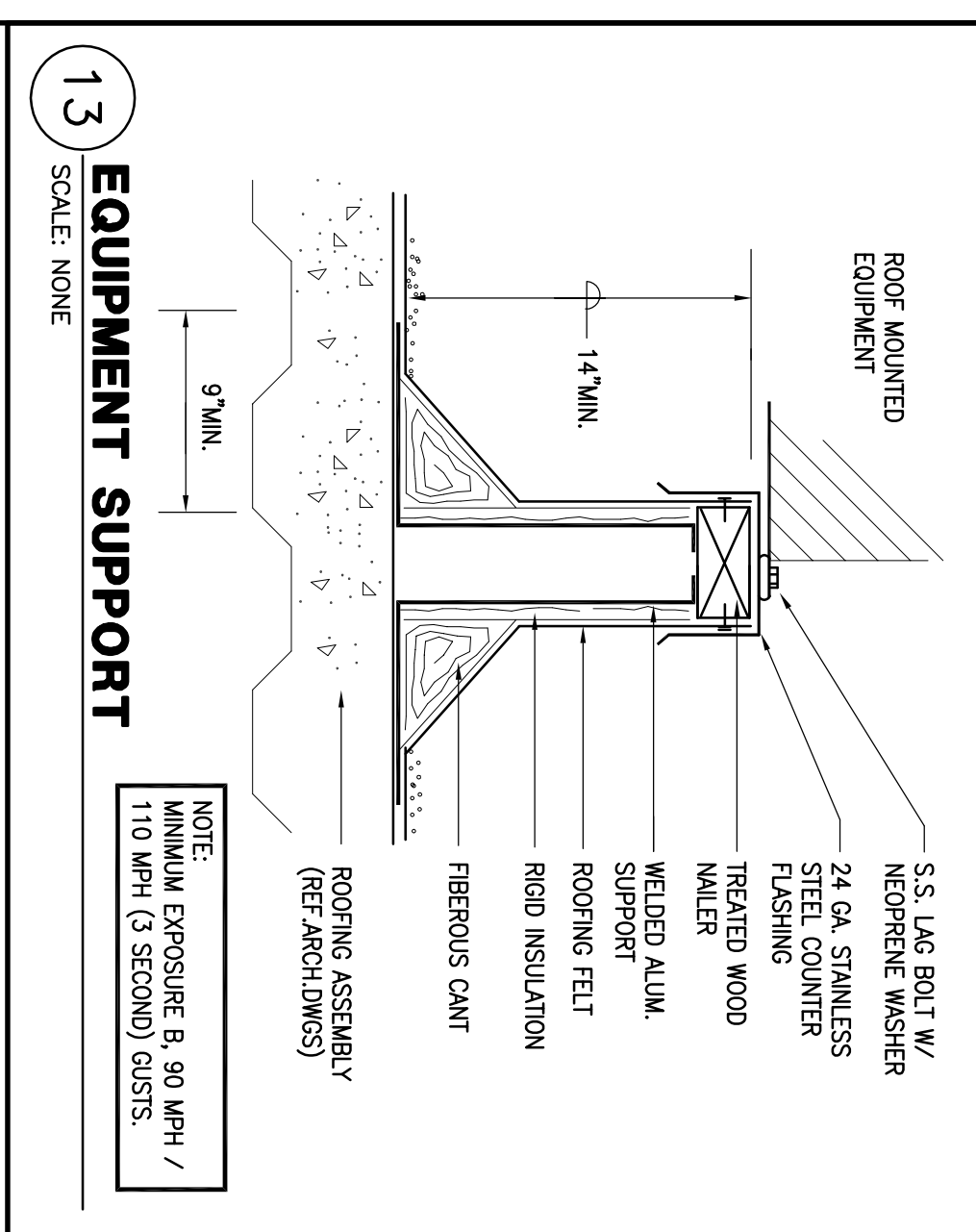
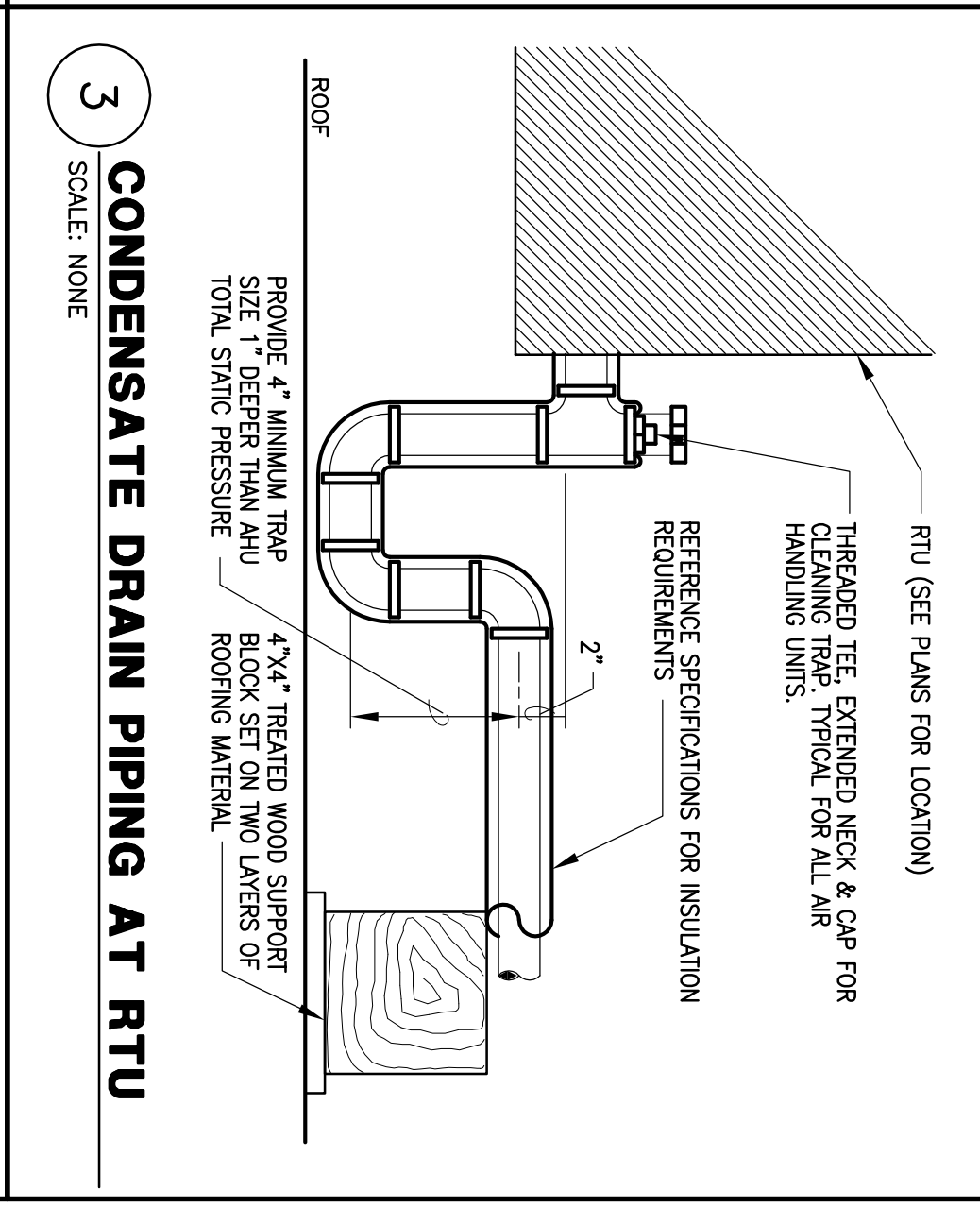
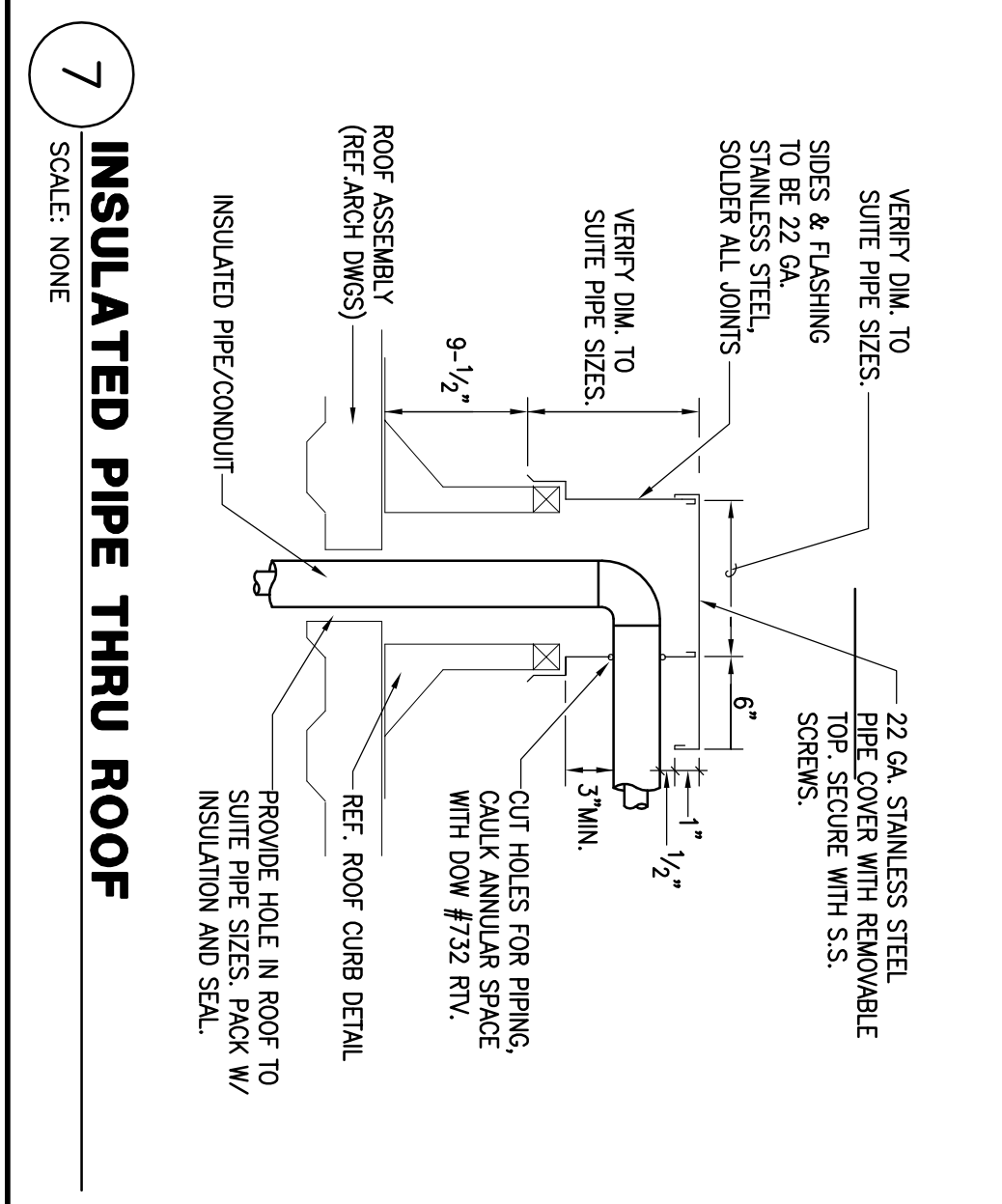
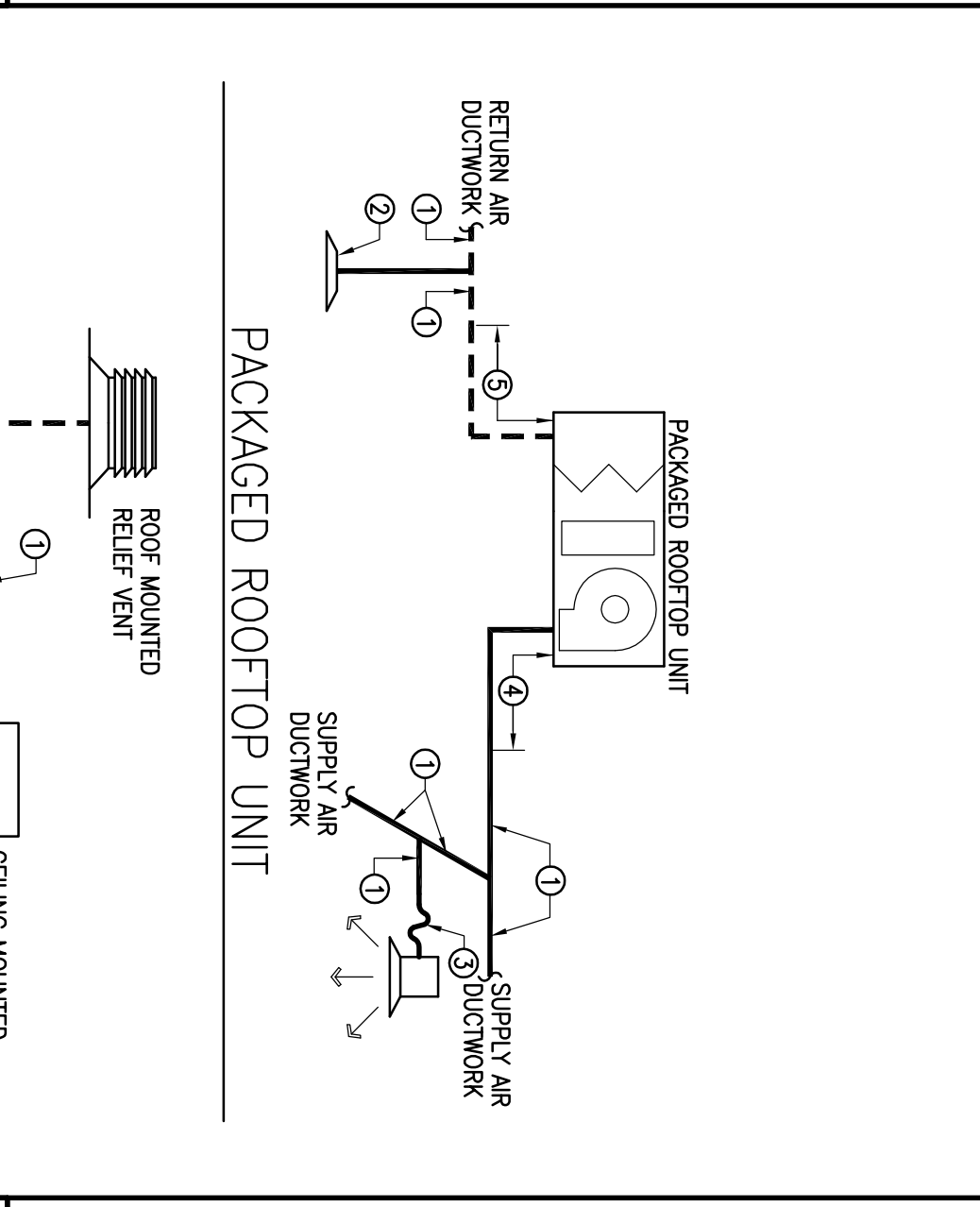
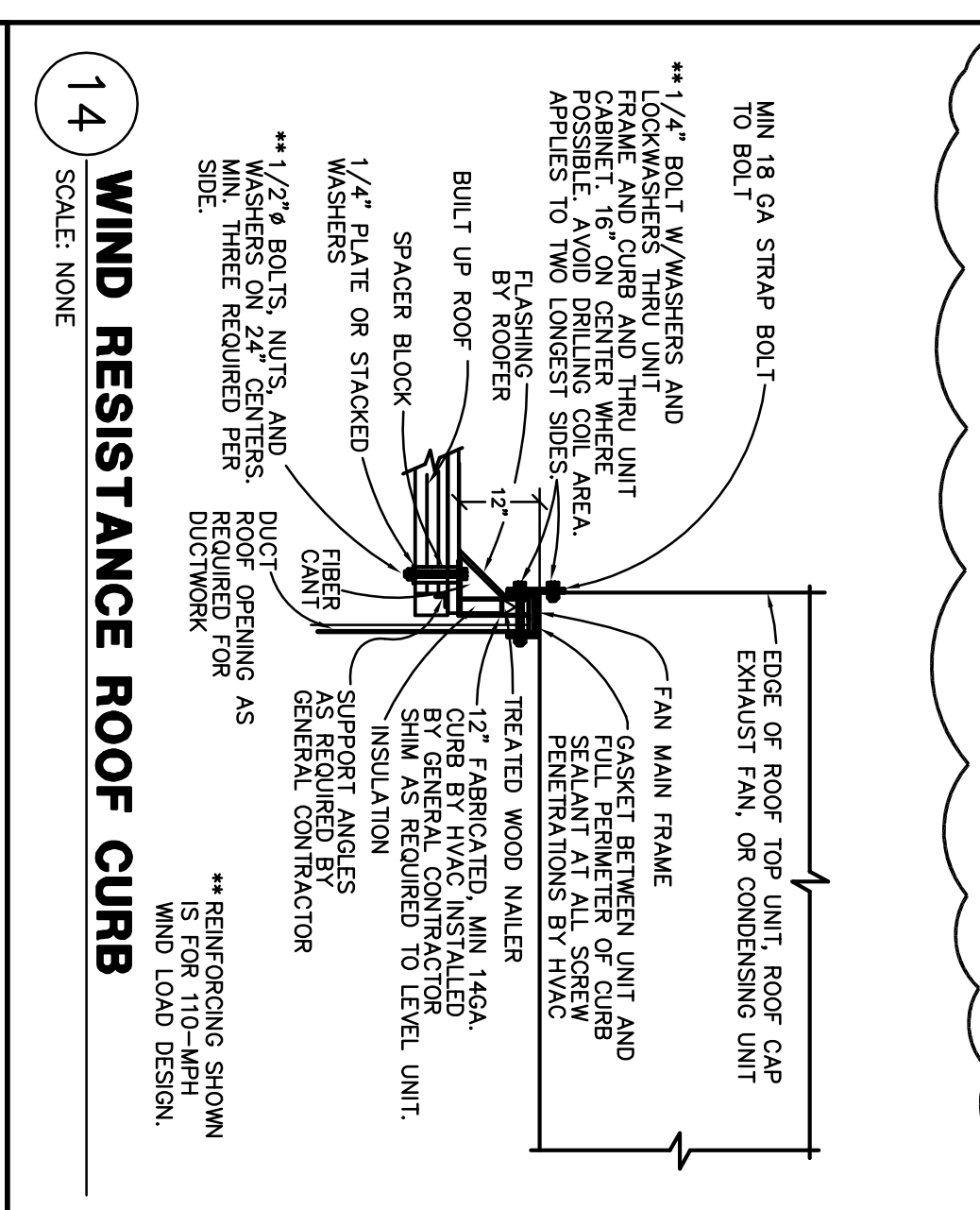
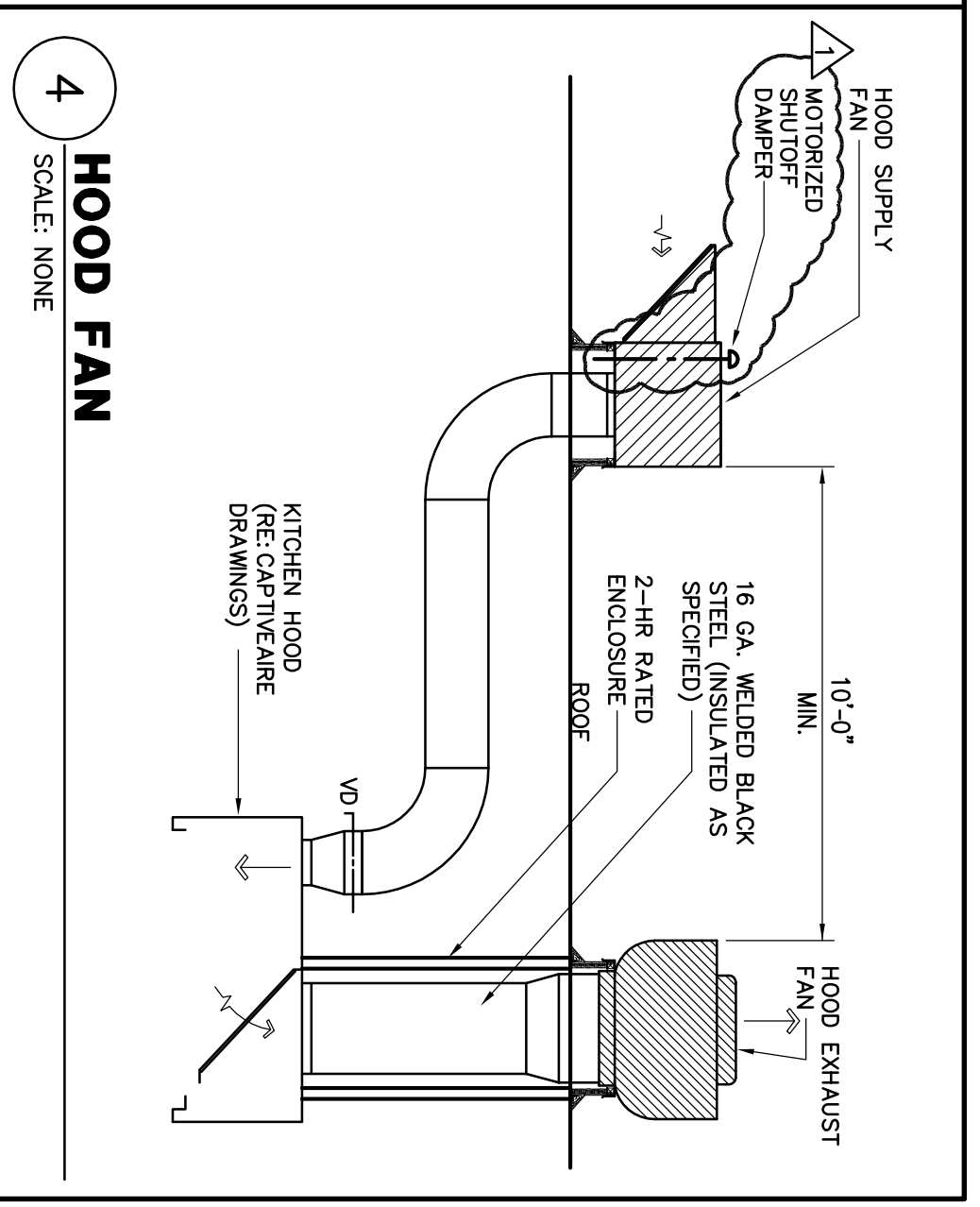
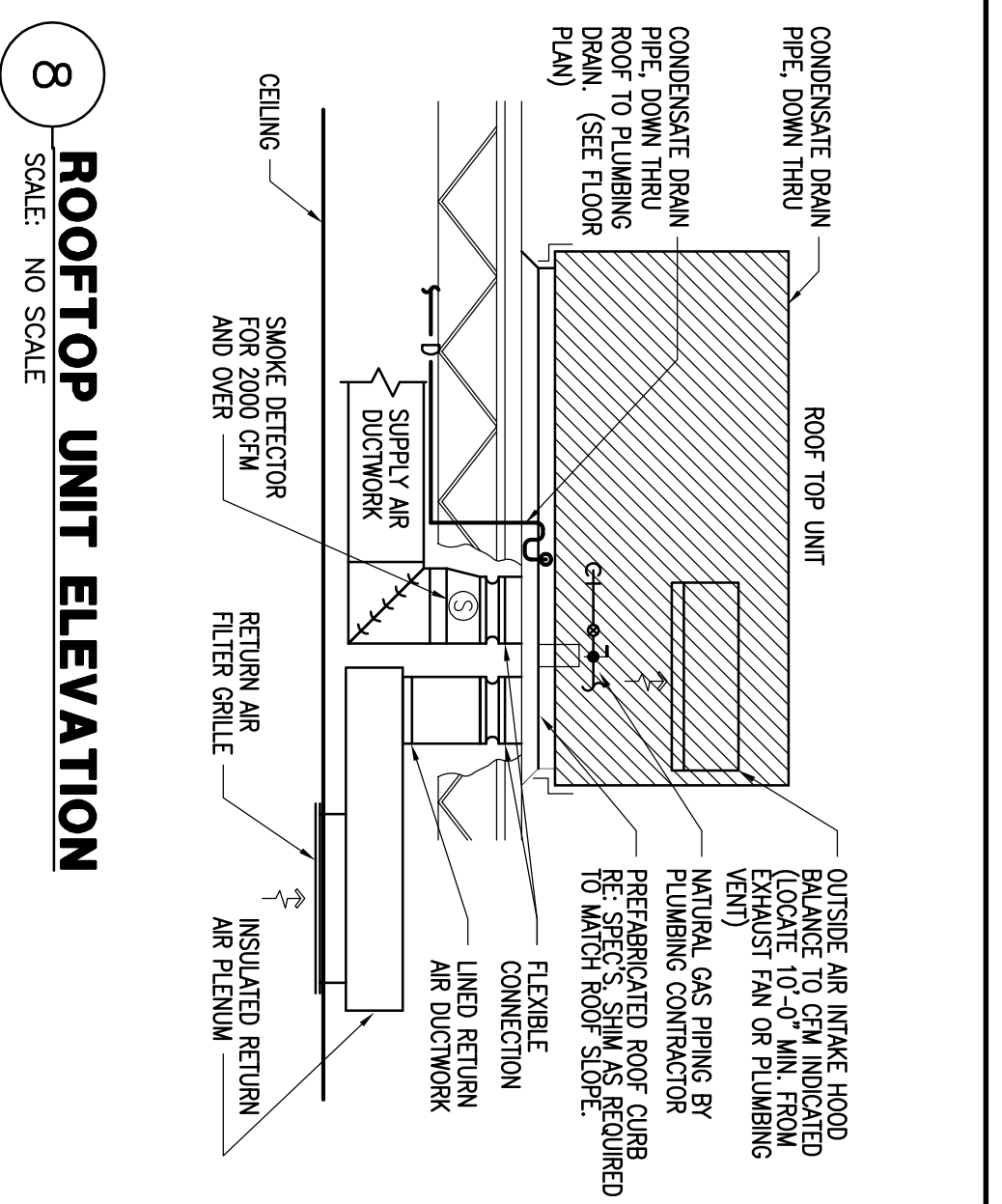
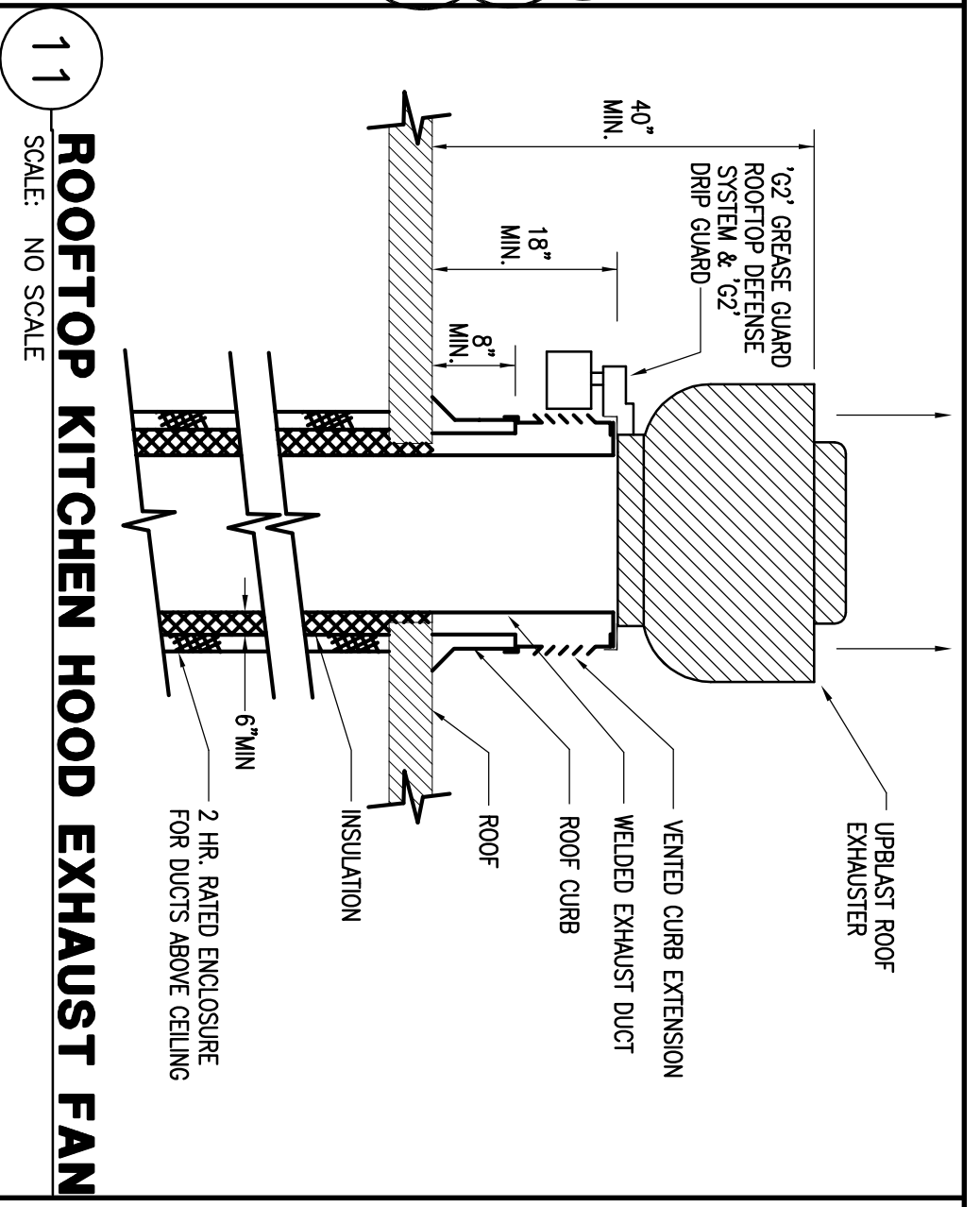
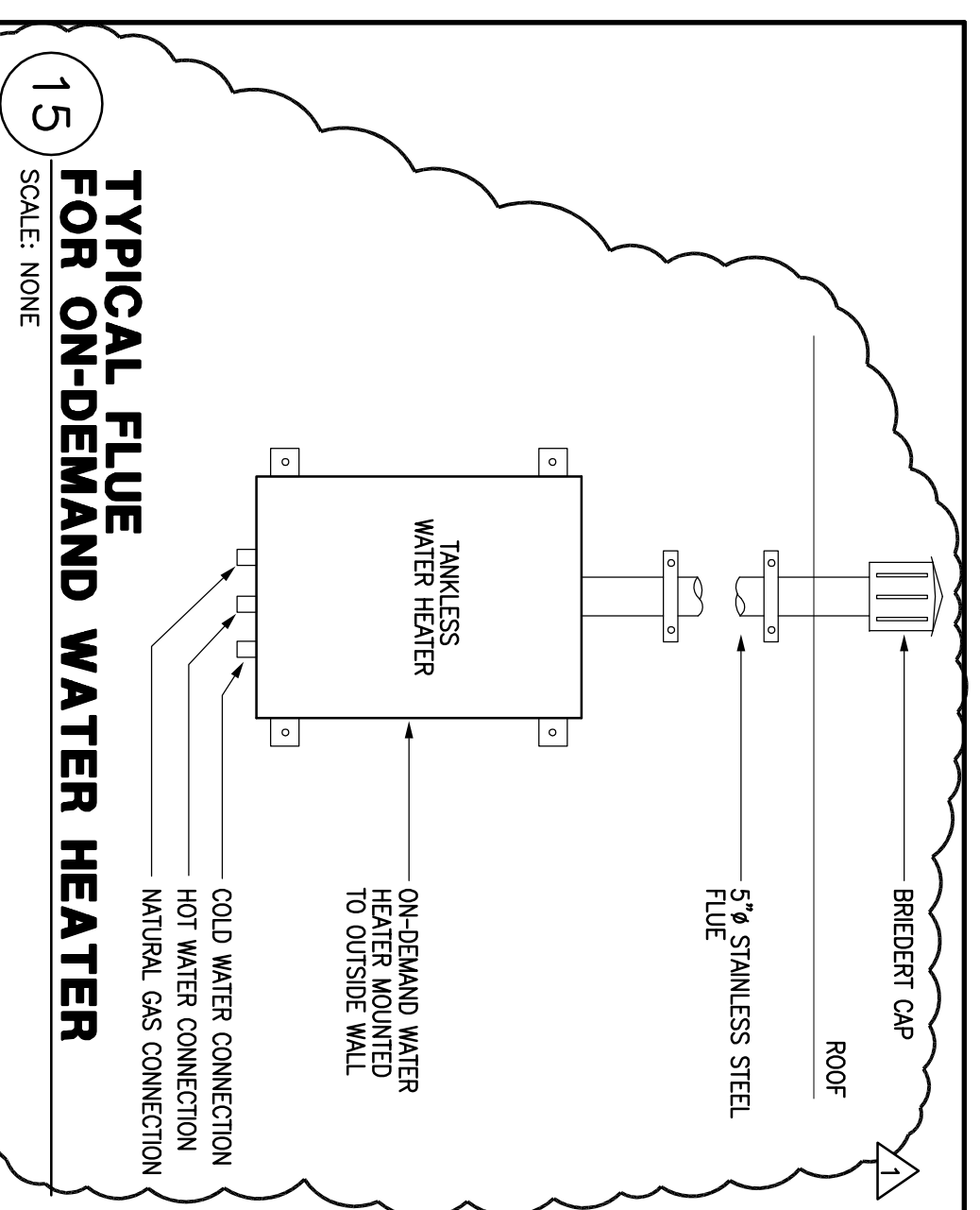




ISSUE
 01/29/12 ISSUED FOR PERMIT
 02/16/12 ISSUE FOR BID
 02/23/12 CITY COMMENTS



CONSULTANTS

 Hobbs & Associates, Inc.
 Consulting Engineers - Texas Reg. 15-343
 6671 Southwest Freeway, Suite 850
 Houston, Texas 77074 (713) 995-1351
 www.hobbsinc.com
 Contact: Bob Schmitt (832) 463-0898

PROJECT NAME
 Maharaja Bhog

PROJECT ADDRESS
 8338 Southwest Freeway
 Houston, Texas 77074

PROJECT NUMBER
 11078

SHEET NAME
 MECHANICAL
 DETAILS
 SHEET NUMBER
 M2.1