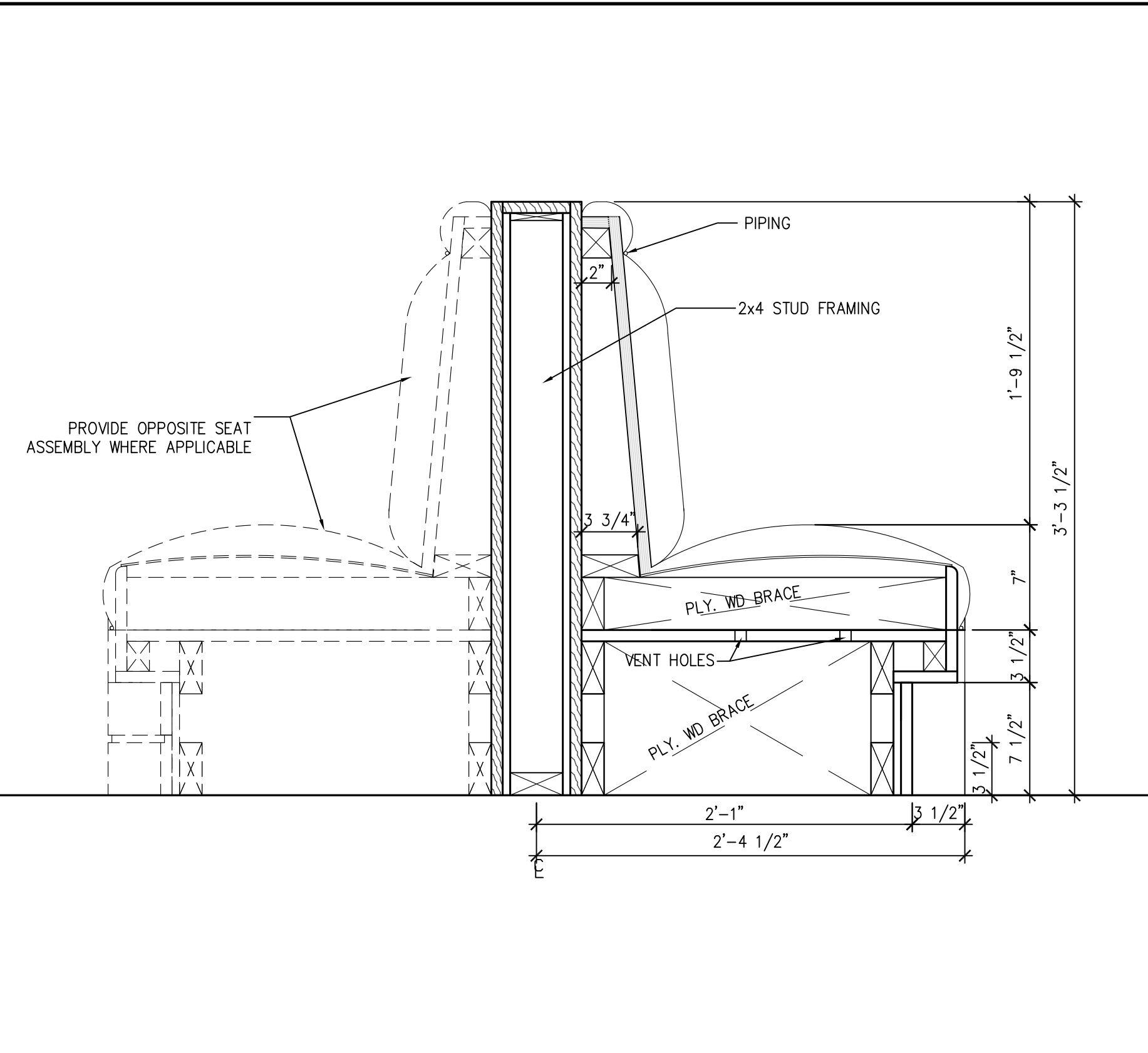
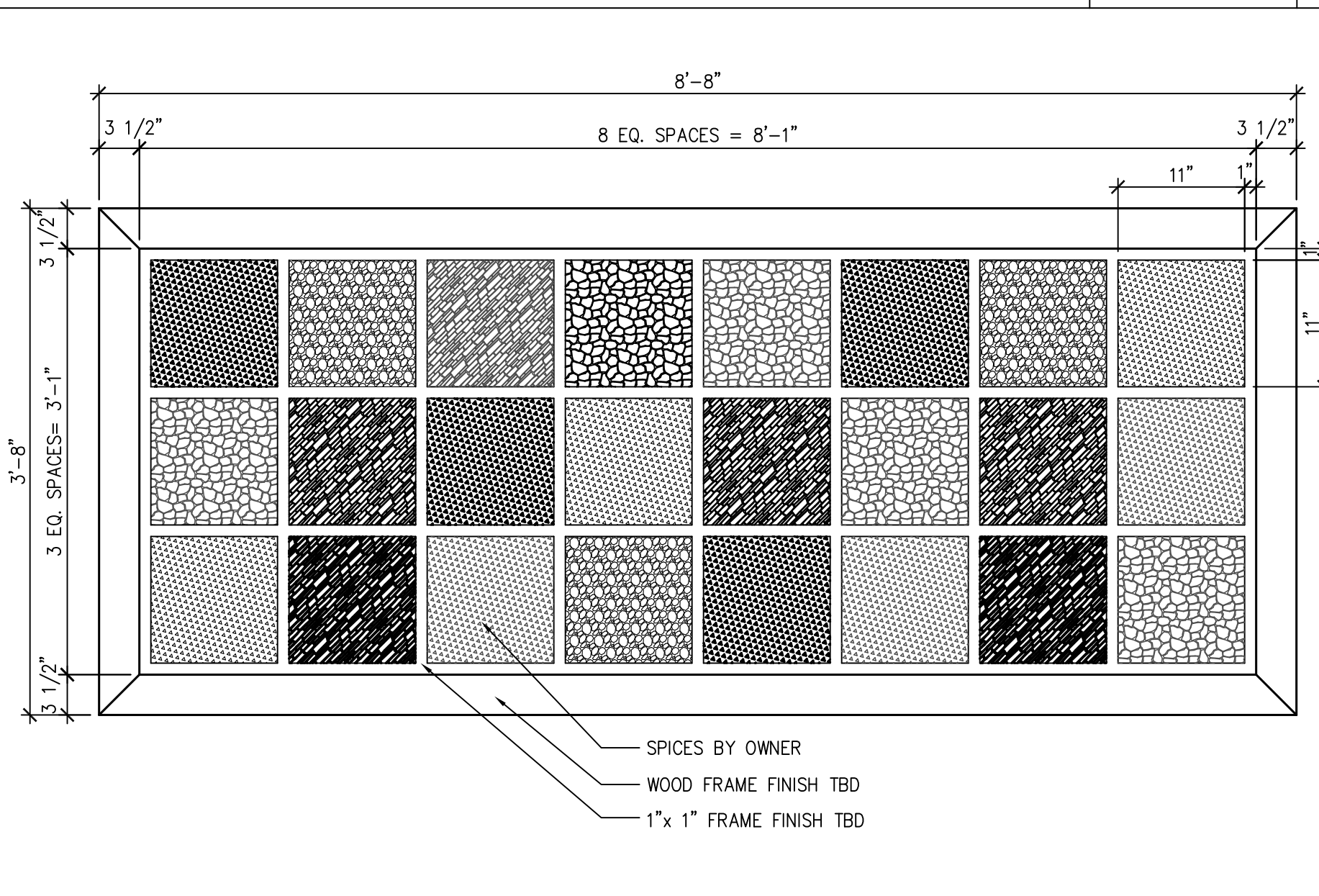




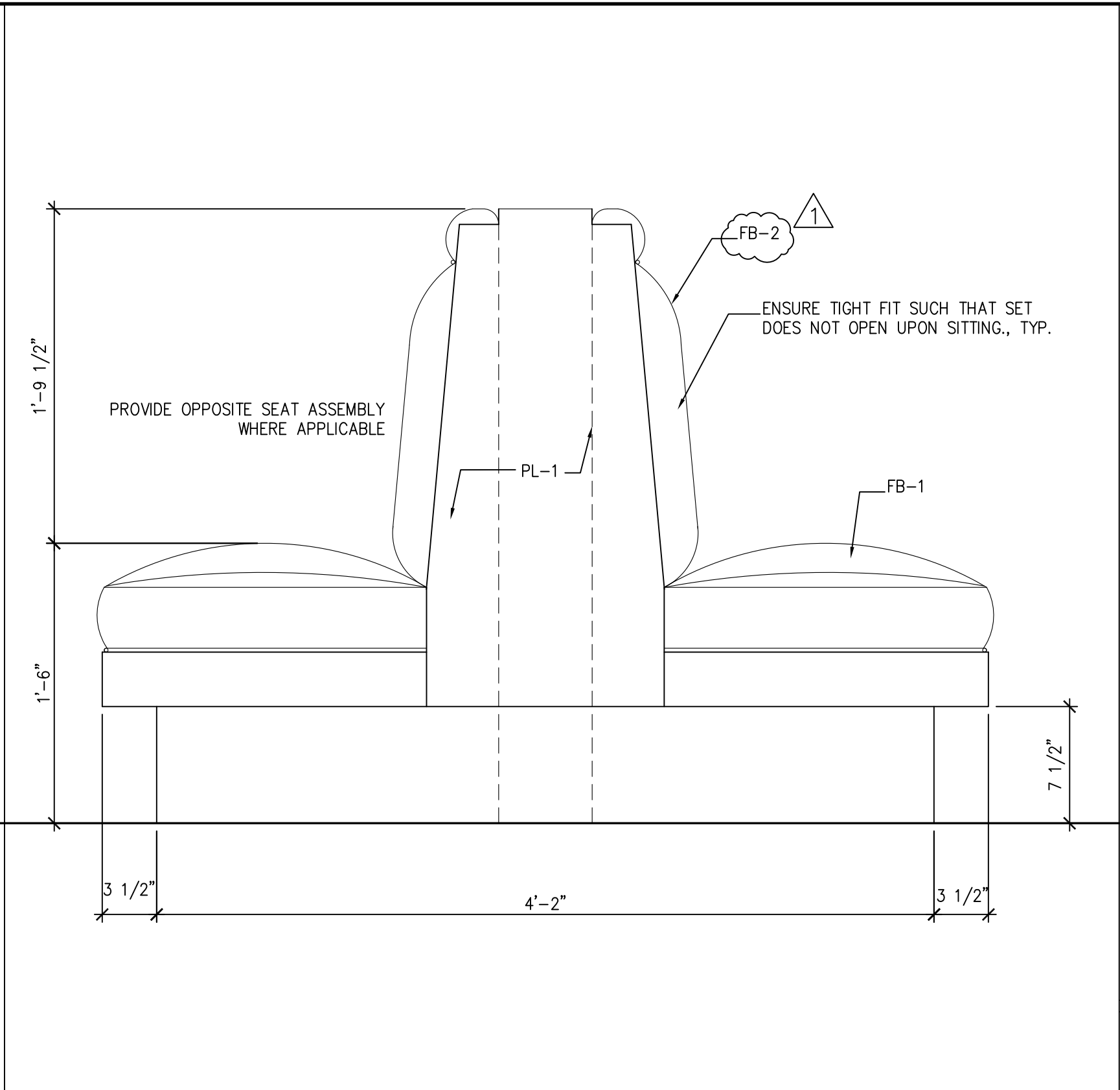
ISSUE  
 01-12-12 ISSUED FOR REVIEW  
 01-25-12 ISSUED FOR PERMIT  
 02-16-12 ISSUED FOR BIDDING



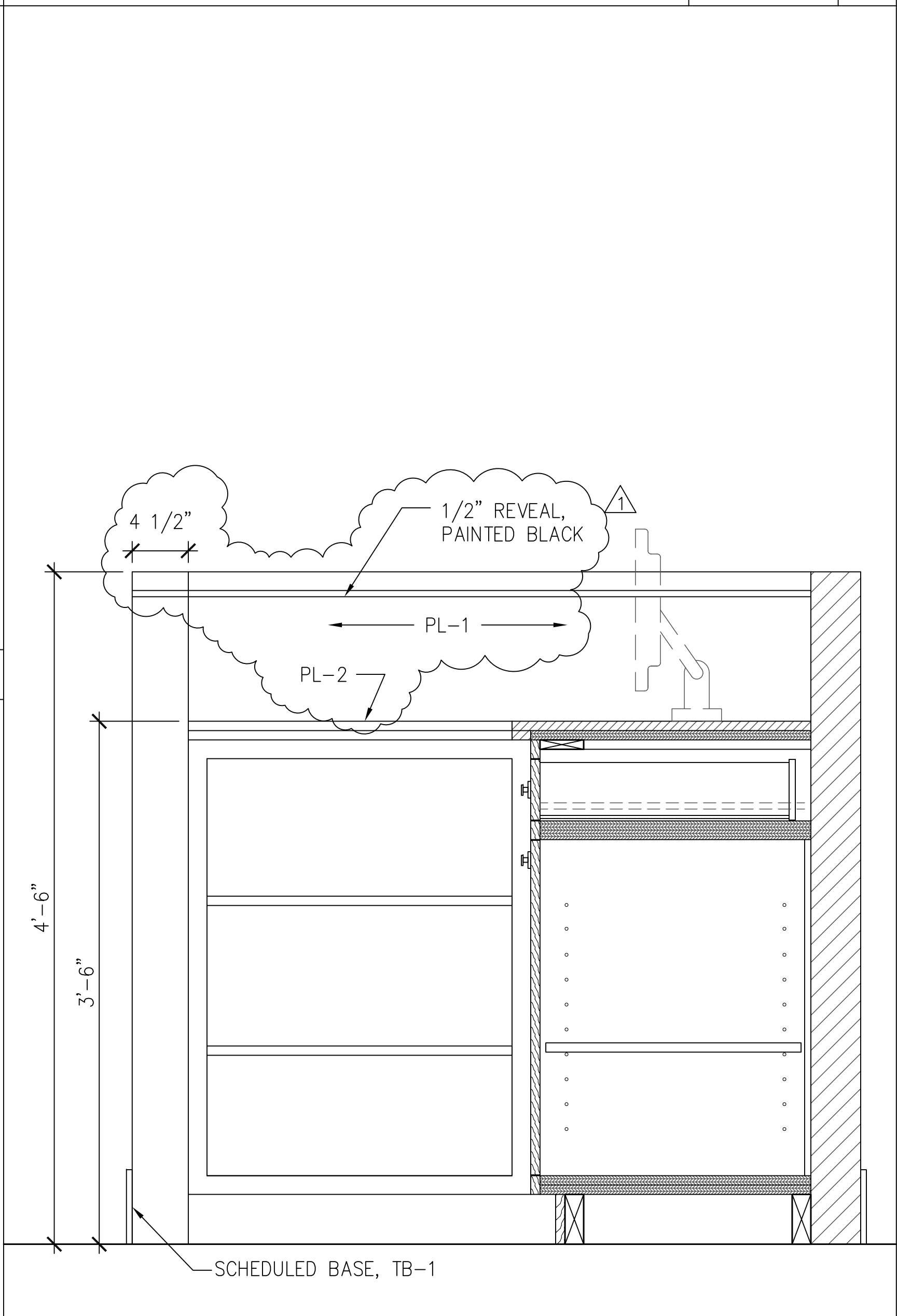
SECTION -BOOTH 1-1/2" = 1'-0" **14**



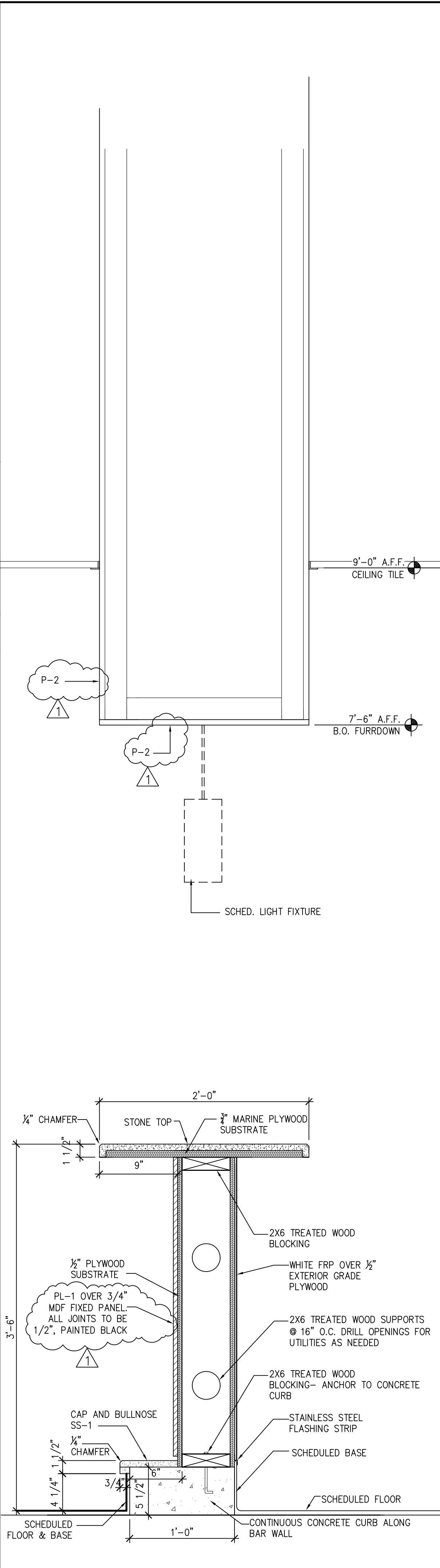
SPICE -ARTWORK 1" = 1'-0" **13**



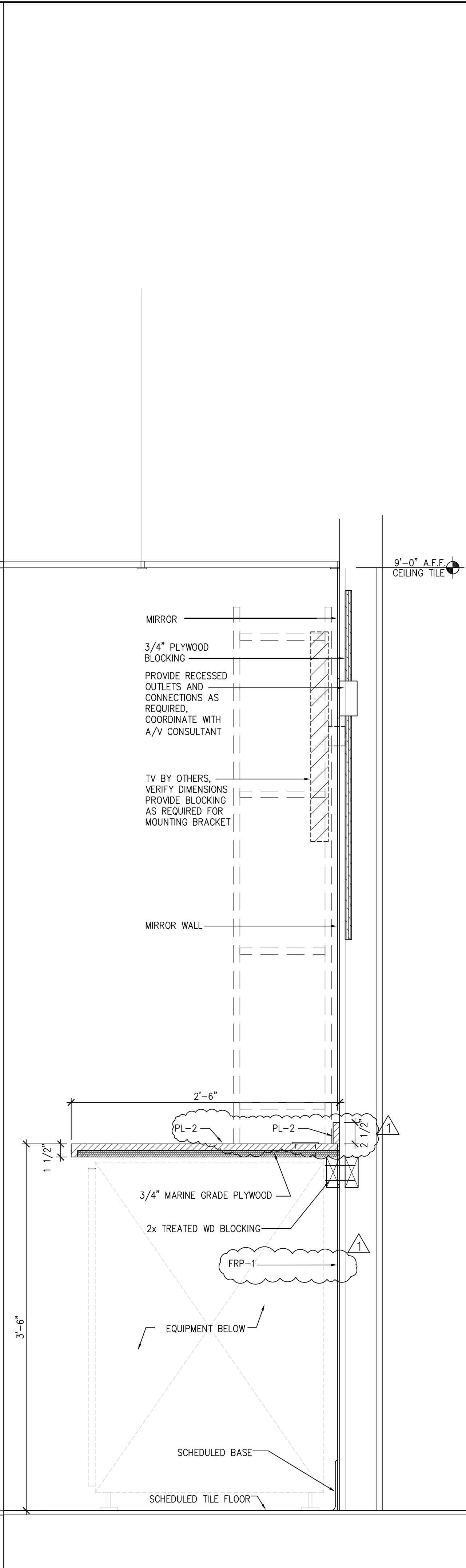
BOOTH ELEVATION 1-1/2" = 1'-0" **9**



CASHIER 1-1/2" = 1'-0" **7**



SECTION -BAR 1-1/2" = 1'-0" **5**



SECTION -BACK BAR 1-1/2" = 1'-0" **1**

**HARRELL**  
 ARCHITECTS, LP

9575 Katy Frewy., #200  
 Houston, Texas 77024  
 tel: 713.722.7071  
 fax: 713.722.7072

CONSULTANTS  
**Holste & Associates, Inc.**  
 MEP Engineers

PROJECT NAME

**Maharaja Bhog**

PROJECT ADDRESS  
 8338 Southwest Freeway  
 Houston, Texas 77074

PROJECT NUMBER  
 11078  
 SHEET NAME

**MILLWORK**  
**DETAILS**

SHEET NUMBER

**A8.2**