



ISSUE
 09-10-10 ISSUED FOR PERMIT
 10-08-10 OBR REVIEW COMMENTS
 11-02-10 ISSUED FOR CONSTRUCTION

PLUMBING LEGEND

SYMBOL	DESCRIPTION
— SAN —	SANITARY OR WASTE PIPING ABOVE GRADE (SAN)
--- SAN ---	SANITARY OR WASTE PIPING BELOW GRADE (SAN)
— GW —	GREASE WASTE PIPING (GW)
--- GW ---	GREASE WASTE PIPING BELOW GRADE (GW)
-----	VENT PIPING ABOVE OR BELOW GRADE (V)
-----	COLD WATER PIPING (CW)
-----	HOT WATER PIPING (HW)
-----	HOT WATER RETURN PIPING (HWR)
-----	TEMPERED WATER (TW)
-----	TRAP PRIMER LINE (TP)
-----	NATURAL GAS PIPING (G)
-----	GAS VENT PIPING (GV)
-----	FLOW DIRECTIONAL ARROW
-----	SHUT-OFF VALVE
-----	BALANCING VALVE (BV)
-----	SOLENOID VALVE (SV)
-----	BALL VALVE (BV)
-----	BUTTERFLY VALVE
-----	GAS PLUG VALVE (GPV)
-----	HORIZONTAL SWING CHECK
-----	UNION
-----	Y-STRAINER
-----	REDUCER OR INCREASER
-----	ECCENTRIC REDUCER
-----	REDUCED PRESSURE BACKFLOW PREVENTER (RP2)
-----	PIPING DOWN
-----	RISE OR DROP PIPING
-----	PIPING UP -OR- PIPING UP & DOWN
-----	CAP ON END OF PIPE
-----	CLEANOUT (WALL OR CEILING) (CO)
-----	FLOOR CLEANOUT (FCO)
-----	EXTERIOR CLEANOUT WITH 18" x 18" x 4" CONCRETE PAD (ECO)
-----	TWO-WAY CLEANOUT (PROVIDE 18" x 24" x 4" CONCRETE PAD OUTSIDE)
-----	PRESSURE REDUCING VALVE (PRV)
-----	BRANCH CONNECTION OUT OF TOP
-----	BRANCH CONNECTION OUT OF BOTTOM
-----	BRANCH CONNECTION OUT OF SIDE
-----	WYE & 1/8TH BEND BRANCH CONNECTION
-----	WYE BRANCH CONNECTION
-----	HOSE BIBB
-----	PRESSURE GAUGE WITH COCK
-----	THERMOMETER
-----	GAS PRESSURE REGULATOR
-----	TEST COCK
-----	GAS METER
-----	WALL HYDRANT
-----	VALVE IN RISE
-----	ASME TEMPERATURE & PRESSURE RELIEF VALVE
-----	VACUUM RELIEF VALVE
-----	ANGLE VALVE
1	REFER TO KEYED NOTE
FS	FLOOR SINK (FS)
FD	FLOOR DRAIN (FD)
FD P	FLOOR DRAIN WITH P-TRAP (FD)
FD 45	FLOOR DRAIN WITH P-TRAP AT 45° ANGLE (FD)
HD	HUB DRAIN (HD)
AP	ACCESS PANEL FOR TRAP PRIMER
AP	ACCESS PANEL LOCATION SYMBOL
SA	SHOCK ABSORBER WITH ACCESS PANEL
AC	AIR CHAMBER
(E)	EXISTING
(N)	NEW
⊗	CONNECT NEW TO EXISTING
⊕	INVERT ELEVATION
1/4" PER FOOT	QUARTER OF AN INCH SLOPE
1/8" PER FOOT	1/8TH OF AN INCH SLOPE
1/16" PER FOOT	1/16TH OF AN INCH SLOPE
Δ	DELTA CHANGE SYMBOL
P 4"	4" VTR

NOTE: NOT ALL SYMBOLS MAY APPLY TO THIS PROJECT.

PLUMBING SYMBOLS/ABBREVIATIONS

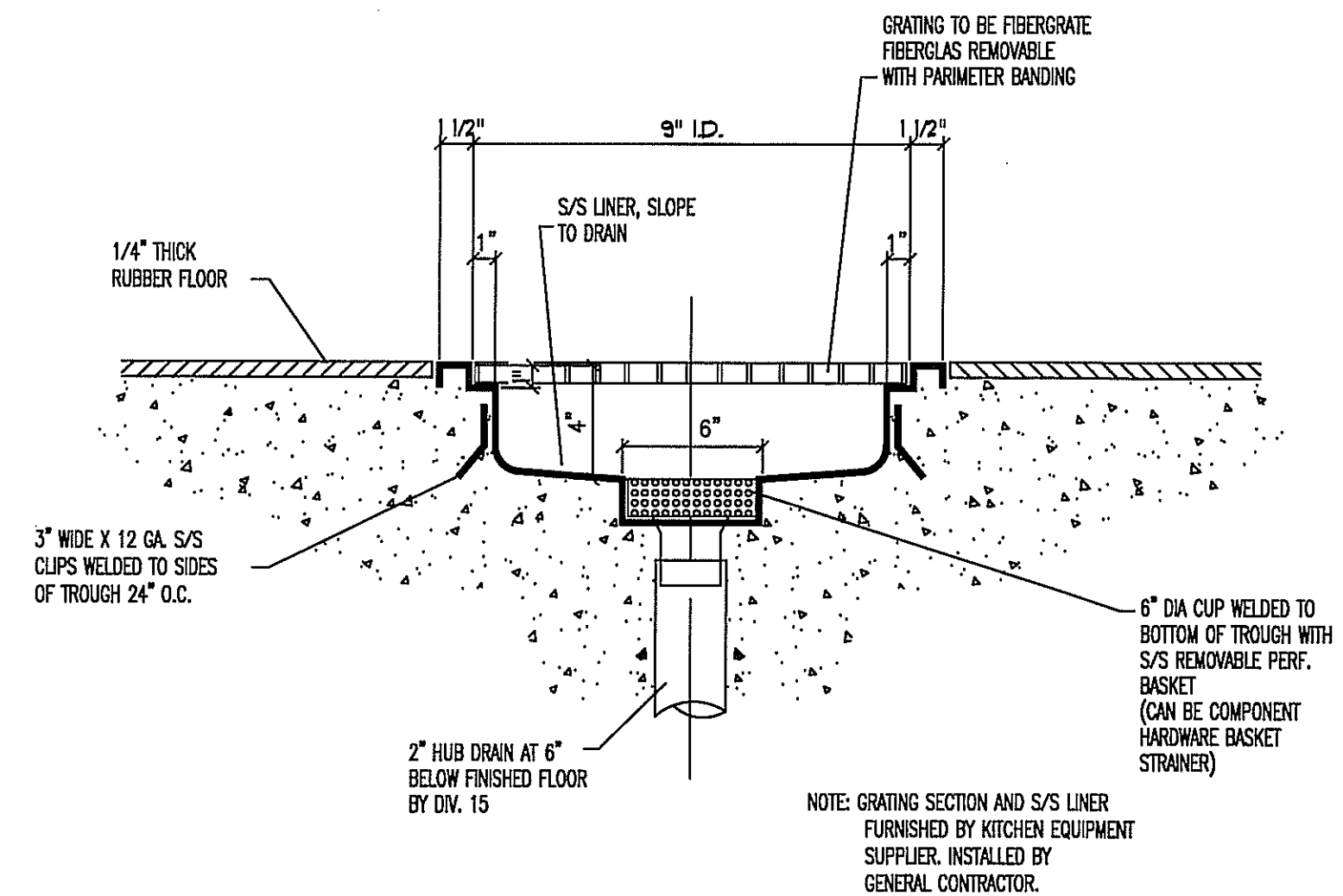
●	HOT WATER	FD	FLOOR DRAIN
○	COLD WATER	FFD	FUNNEL FLOOR DRAIN
●	DRAIN	FS	FLOOR SINK
○	CONNECTION	HD	HUB DRAIN
□	FLOOR DRAIN AS NOTED	SS	STEAM SUPPLY
□	FUNNEL DRAIN AS NOTED	SR	STEAM RETURN
□	FLOOR SINK FULL GRADE	EL	ELEVATION ABOVE FINISHED FLOOR
□	FLOOR SINK HALF GRADE	SU	STUB UP ABOVE FINISHED FLOOR
○	GAS CONNECTION	GFH	GALLONS PER HOUR
---	PIPE ROUTING	GPM	GALLONS PER MINUTE
HW	HOT WATER	PSI	POUNDS PER SQUARE INCH
CW	COLD WATER	BTC	BRANCH TO CONNECTION POINT AND CONNECT EQUIPMENT
DR	DRAIN	DFA	DOWN FROM ABOVE
AF	ABOVE FINISHED FLOOR		
BFF	BELOW FINISHED FLOOR		

PLUMBING NOTES

- A PLUMBER TO CONNECT ALL WATER LINES, GAS LINES, WASTE LINES, ETC. TO FULLY CONNECT ALL EQUIPMENT AND RUN CONDENSATE LINES FROM UNITS TO DRAINS AND THESE LINES TO BE NO SMALLER THAN THE STUB-OUT OF THE FIXTURE. PLUMBER TO PROVIDE GATE VALVES ON ALL WATER AND GAS LINES. ALL VALVES, CUT-OFFS, TRAPS, HYDROSTATIC SHOCK ELIMINATORS, PRESSURE REGULATORS AND MATERIALS NECESSARY TO CONNECT ALL LINES, UNLESS OTHERWISE SPECIFIED IN THE ITEM SPECIFICATIONS. FAUCETS, DRAIN OUTLET FITTINGS IN FIXTURES AND SPECIALTY ITEMS ARE TO BE FURNISHED BY THE KITCHEN EQUIPMENT SUPPLIER AS OUTLINED IN THE ITEM SPECIFICATIONS. ALL WORK TO BE PERFORMED IN FULL ACCORDANCE WITH ALL APPLICABLE CODES RELATING TO INSTALLATION AND HOOKUP OF EQUIPMENT OMISSIONS OR ERRORS ON THE SCHEDULE DO NOT RELIEVE THE PLUMBING CONTRACTOR FROM COMPLETE FINAL PLUMBING RESPONSIBILITY.
- B ALL OUTLETS AND CONNECTIONS SHOWN RELATE TO KITCHEN EQUIPMENT ONLY. REFER TO ARCHITECTURAL/ENGINEERING PLANS FOR ADDITIONAL REQUIREMENTS.
- C ALL DIMENSIONS GIVEN ARE FROM COLUMN CENTERLINES AND/OR FINISHED WALLS AND ARE IN INCHES TO 4'-0". ELEVATIONS GIVEN ARE FROM FINISHED FLOORS. ALL ROUGH-INS SHOWN ARE TO BE RUN INSIDE WALLS (EXCEPT STUB-UPS) LOCATIONS INDICATE POINT OF EXIT FROM WALLS, CEILINGS OR FLOORS.
- D ALL FLOOR DRAINS TO SET 1/2" BELOW FINISHED FLOOR UNLESS OTHERWISE NOTED. DO NOT SLOPE FLOORS CLOSE TO DRAINS AS TO CREATE "HITS" OR "DIPS" IN FLOOR. MINIMUM RADIUS OF SLOPE TO BE 24" FROM CENTERLINE OF DRAIN.

PLUMBING SCHEDULE

NO.	UTILITY	SIZE	HEIGHT A.F.F.	LOCATION	BTU/hr	REMARKS
FS	FLOOR SINK	3"	FLUSH	FLOOR		HALF-GRADE - TO RECEIVE INDIRECT WASTE FROM EQUIPMENT
FD	FLOOR DRAIN	3"	-1/2"	FLOOR		AREA FLOOR DRAIN - SEE DETAIL
FFD	FUNNEL FLOOR DRAIN	3"	FLUSH	FLOOR		TO RECEIVE INDIRECT WASTE FROM EQUIPMENT - 4" HIGH FUNNEL
HD	HUB DRAIN	3"	4"	FLOOR		FOR INDIRECT WASTE FROM EQUIPMENT
1	HOT & COLD WATER	1/2"	4'-0"	WALL		BTC ON MOP SINK FAUCET - VERIFY REQUIREMENTS
1.1	DRAIN	2"	1"	FLOOR		BTC ON MOP SINK WASTE - VERIFY REQUIREMENTS
4	HOT & COLD WATER	1/2"	20"	WALL		BTC ON HAND SINK FAUCET
	DRAIN	1 1/2"	16"	WALL		BTC ON HAND SINK WASTE
7	HOT & COLD WATER	1/2"	12"	WALL		BTC ON SINK FAUCET
9	COLD WATER	3/4"	12"	WALL		BTC ON DISPOSER
9.1	DRAIN	3"	16"	WALL		BTC ON DISPOSER
10	HOT WATER (140° F)	3/4"	5'-0"	WALL		BTC ON DISHWASHER
14	COLD WATER	1/2"	6'-0"	WALL		BTC ON ICE MACHINE; INTERCONNECT THRU FILTER
15	DRAIN	2"	-6"	FLOOR		BTC ON FLOOR TROUGH WASTE - SEE DETAIL
16	HOT & COLD WATER	1/2"	12"	WALL		BTC ON SINK FAUCET
21	COLD WATER	1/2"	12"	WALL		FOR FILL FAUCET
26	NATURAL GAS	3/4"	36"	WALL	224,000	BTC ON EIGHT (8) BURNER RANGE
28	NATURAL GAS	3/4"	36"	WALL	80,000	BTC ON PASTA COOKER
28.1	COLD WATER	1/2"	12"	WALL		BTC ON PASTA COOKER FAUCET
30	NATURAL GAS	3/4"	36"	WALL	80,000	BTC ON GRIDDLE
34	NATURAL GAS	3/4"	36"	WALL	35,000	BTC ON SALAMANDER
35	NATURAL GAS	3/4"	36"	WALL	80,000	BTC ON CHARBROILER
36	NATURAL GAS	3/4"	36"	WALL	105,000	BTC ON FRYER
39	NATURAL GAS	3/4"	36"	WALL	180,000	BTC ON FOUR (4) BURNER RANGE
40	NATURAL GAS	TWO(2) 3/4"	36"	WALL	55,000 EACH	BTC ON CONNECTION OVEN
41	COLD WATER	1/2"	12"	WALL		BTC ON KETTLE FAUCET
42	DRAIN	2"	-6"	FLOOR		BTC ON FLOOR TROUGH WASTE - SEE DETAIL
44	HOT & COLD WATER	1/2"	12"	WALL		BTC ON SINK FAUCET
47	HOT & COLD WATER	1/2"	12"	WALL		BTC ON SINK FAUCET
54	HOT & COLD WATER	1/2"	12"	WALL		BTC ON SINK FAUCET
61	COLD WATER	1/2"	48"	WALL		BTC ON COFFEE BREWER
62	COLD WATER	1/2"	48"	WALL		BTC ON TEA BREWER
66	HOT & COLD WATER	1/2"	8"	WALL		BTC ON SINK FAUCET
67	HOT & COLD WATER	1/2"	20"	WALL		BTC ON HAND SINK FAUCET
	DRAIN	1 1/2"	16"	WALL		BTC ON HAND SINK WASTE
69	HOT & COLD WATER	1/2"	8"	WALL		BTC ON SINK FAUCET
70	HOT WATER (140° F)	3/4"	12"	WALL		BTC ON DISHWASHER
74	HOT & COLD WATER	1/2"	8"	WALL		BTC ON SINK FAUCET
78	NATURAL GAS	3/4"	18"	WALL	81,000	BTC ON PIZZA OVEN



1
 PS-2.0
 TYPICAL FLOOR TROUGH DETAIL
 NO SCALE

HARRELL
 ARCHITECTS, LP
 9575 Katy Frwy., #200
 Houston, Texas 77024
 Tel: 713.722.7071
 Fax: 713.722.7072

CONSULTANTS
HOLSTE & ASSOCIATES
 MEP Engineers

Holste & Associates, Inc.
 Consulting Engineers - Texas Reg. F-5445
 6671 Southwest Fwy., Suite 800
 Houston, Texas 77076 (713) 995-1351
 www.holstemep.com

PROJECT NAME
LUCA & LEONARDO RESTAURANT
LUCA & LEONARDO
 RESTAURANTE
 PROJECT ADDRESS
 20 WATERWAY
 THE WOODLANDS, TEXAS

PROJECT NUMBER
 10018
 SHEET NAME
PLUMBING SCHEDULES
 SHEET NUMBER

P2.00