

EXHAUST FAN INFORMATION

| FAN UNIT NO. | FAN UNIT MODEL # | MODEL | TAG | CFM | S.P. | RPM | H.P. | Ø | VOLT | FLA | WEIGHT (LBS.) |
|--------------|------------------|---------|-----|------|-------|------|-------|---|------|------|---------------|
| 1 | NCA16FA | NCA16FA | | 3231 | 1.000 | 1116 | 1.500 | 1 | 115 | 20.4 | 170.45 |
| 3 | NCA14FA | NCA14FA | | 2194 | 1.000 | 1273 | 1.000 | 1 | 115 | 14.0 | 133.09 |
| 5 | DU30HFA | DU30HFA | | 525 | 0.500 | 1185 | 0.250 | 1 | 115 | 4.0 | 52.56 |

HEATER/MUA FAN INFORMATION

| FAN UNIT NO. | FAN UNIT MODEL # | BLOWER | HOUSING | TAG | CFM | S.P. | RPM | H.P. | Ø | VOLT | FLA | WEIGHT (LBS.) |
|--------------|------------------|--------|---------|-----|------|-------|-----|-------|---|------|------|---------------|
| 2 | NSAU2-G12 | G12 | NSAU.2 | | 2585 | 0.500 | 661 | 0.750 | 1 | 115 | 11.0 | 267.67 |
| 4 | NSAU1-G10 | G10 | NSAU.1 | | 1755 | 0.500 | 771 | 0.750 | 1 | 115 | 11.0 | 195.00 |

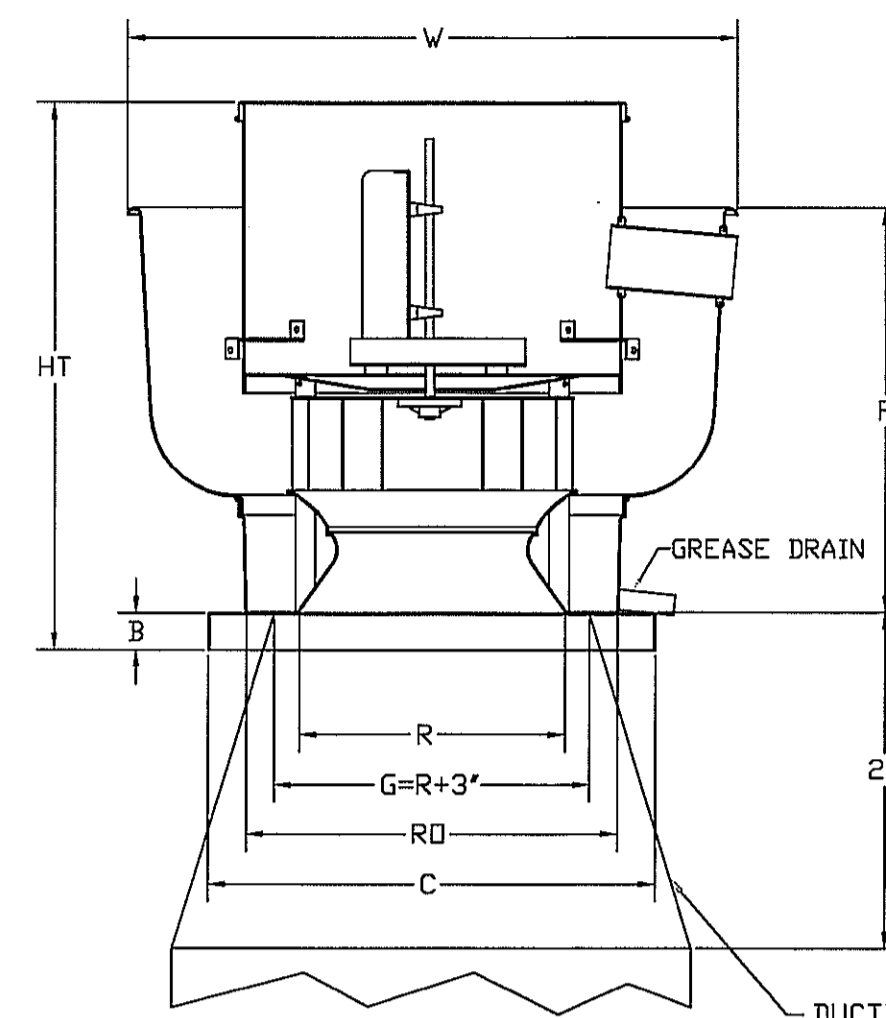
FAN OPTIONS

| FAN UNIT NO. | OPTION (Qty. - Descr.) |
|--------------|------------------------|
| 1 | 1 - Grease Box |
| 3 | 1 - Grease Box |

CURB ASSEMBLIES

| NO. | DN FAN | ITEM | SIZE |
|-----|--------|------|--|
| 1 | # 1 | Curb | 26.500"W x 26.500"L x 20.000"H Vented Hinged |
| 2 | # 2 | Curb | 32.500"W x 32.500"L x 14.000"H |
| 3 | # 3 | Curb | 23.000"W x 23.000"L x 20.000"H Vented |
| 4 | # 4 | Curb | 23.000"W x 23.000"L x 14.000"H |
| 5 | # 5 | Curb | 19.500"W x 19.500"L x 14.000"H |

NCAFA SERIES UPBLAST EXHAUST FANS (UL762)



FEATURES:

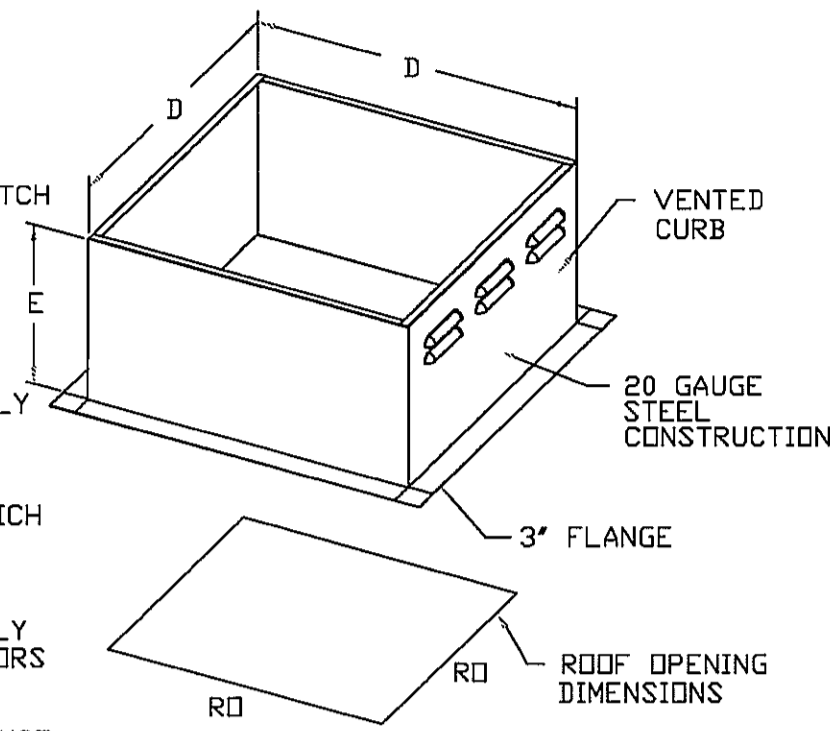
- ROOF MOUNTED FANS
- RESTAURANT MODEL
- UL762
- AMCA SOUND AND AIR CERTIFIED
- WIRING FROM MOTOR TO DISCONNECT SWITCH
- WEATHERPROOF DISCONNECT
- HIGH HEAT OPERATION 300°F (149°C)
- GREASE CLASSIFICATION TESTING

NORMAL TEMPERATURE TEST
EXHAUST FAN MUST OPERATE CONTINUOUSLY WHILE EXHAUSTING AIR AT 300°F (149°C) UNTIL ALL FAN PARTS HAVE REACHED THERMAL EQUILIBRIUM, AND WITHOUT ANY DETERIORATING EFFECTS TO THE FAN WHICH WOULD CAUSE UNSAFE OPERATION.

ABNORMAL FLARE-UP TEST
EXHAUST FAN MUST OPERATE CONTINUOUSLY WHILE EXHAUSTING BURNING GREASE VAPORS AT 600°F (316°C) FOR A PERIOD OF 15 MINUTES WITHOUT THE FAN BECOMING DAMAGED TO ANY EXTENT THAT COULD CAUSE AN UNSAFE CONDITION.

OPTIONS:

- GREASE BOX
- HINGED FAN
- PITCHED CURB
- INSULATED CURB



PITCHED CURBS ARE AVAILABLE FOR PITCHED ROOFS.

SPECIFY PITCH:
EXAMPLE: 7/12 PITCH = 30° SLOPE

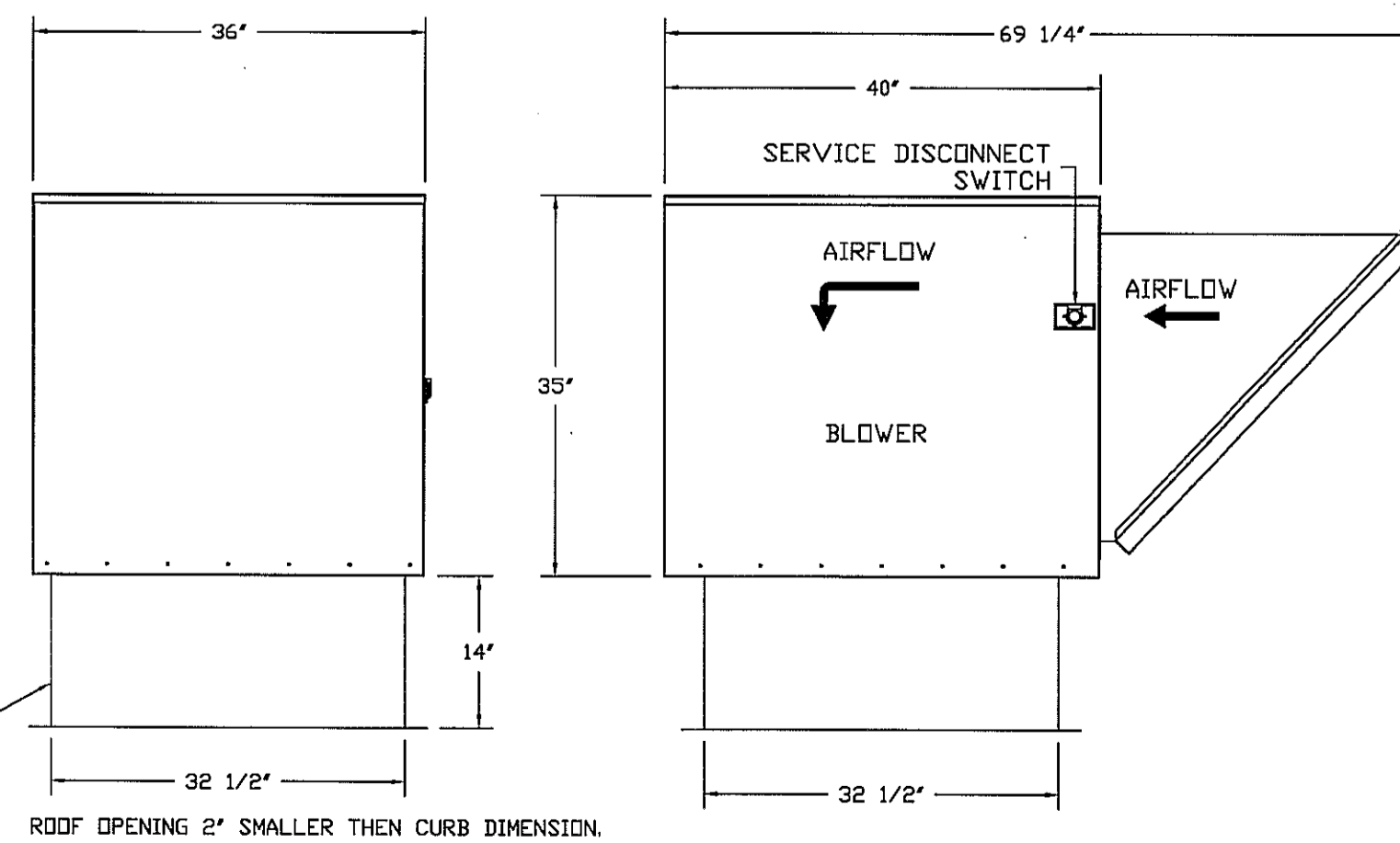
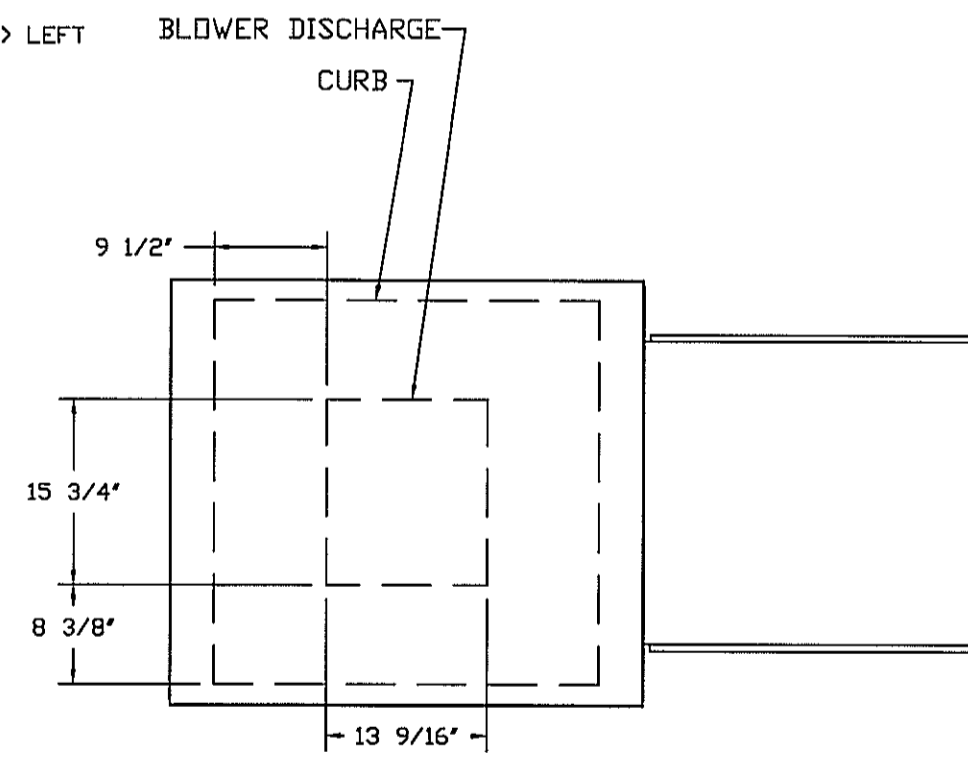
CURB DIMENSIONAL DATA

| FAN MODEL | D | E |
|-----------|--------|----|
| NCA14FA | 23 | 20 |
| NCA16FA | 26 1/2 | 20 |

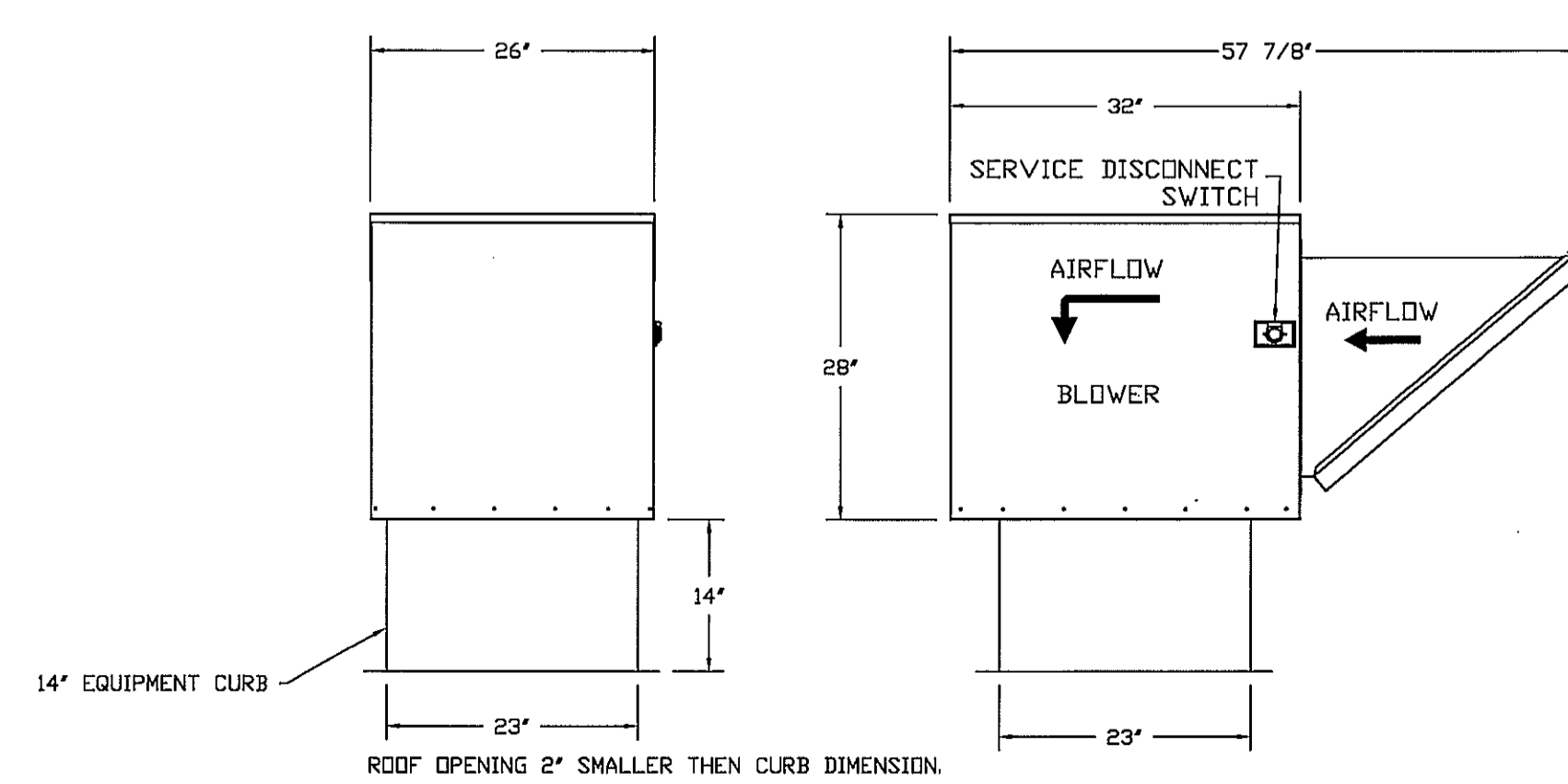
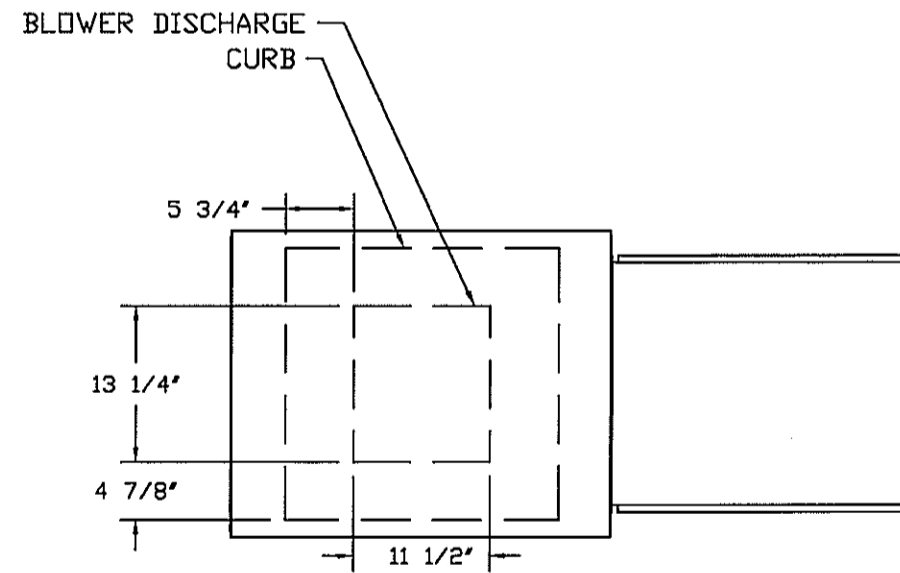
NCAFA BELT DRIVE CENTRIFUGAL UP-BLAST EXHAUST FANS DIMENSIONAL DATA AND FAN (BY OTHERS)

| FAN MODEL | HT | W | B | C | F | R | RO | WEIGHT LB |
|-----------|--------|--------|---|--------|--------|--------|----|-----------|
| NCA14FA | 30 1/2 | 33 3/4 | 2 | 24 3/4 | 23 | 14 7/8 | 20 | 140 |
| NCA16FA | 33 3/4 | 39 3/8 | 2 | 28 | 23 1/2 | 16 1/2 | 24 | 190 |

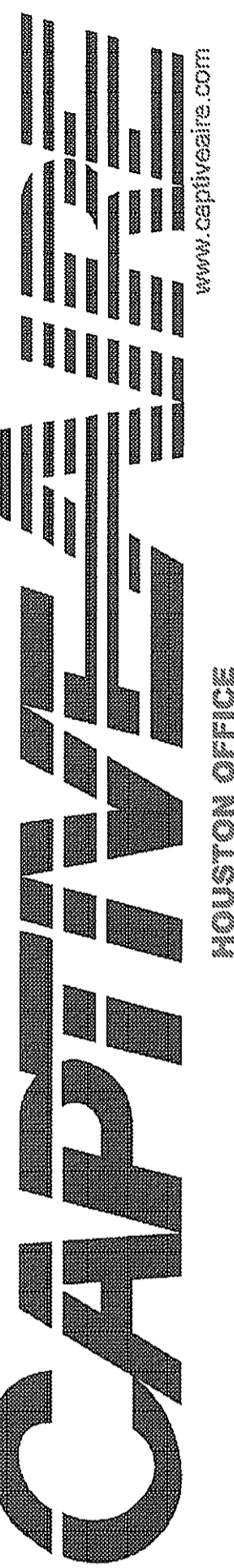
FAN #2 NSAU2-G12 - SUPPLY FAN
1. SUPPLY UNIT WITH 12" BLOWER IN SIZE #2 HOUSING
2. INTAKE HOOD WITH EZ FILTERS
3. DOWN DISCHARGE - AIR FLOW RIGHT -> LEFT



FAN #4 NSAU1-G10 - SUPPLY FAN
1. SUPPLY UNIT WITH 10\" data-bbox="604 531 710 558"/>



| REVISIONS | |
|-------------|------|
| DESCRIPTION | DATE |
| | |
| | |
| | |



Luca & Leonardo #1198090
The Woodlands, TX

DATE: 8/11/2010

DWG.#: 1198090

DRAWN BY: GAF

SCALE: 1/16

MASTER DRAWING

SHEET NO. 3