

REVISIONS	
DESCRIPTION	DATE

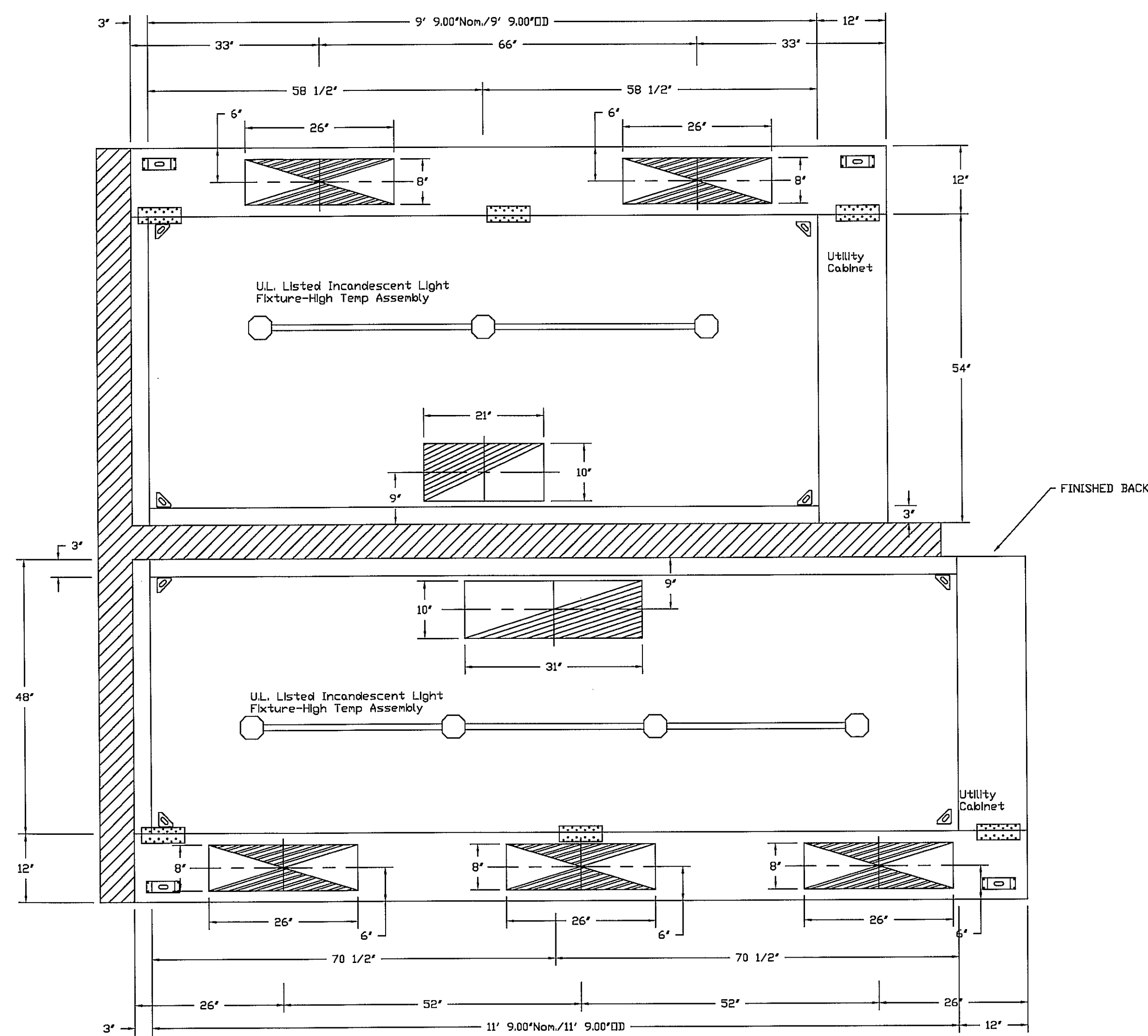
CAPTIVE
HOUSTON OFFICE
www.captivefire.com
2626 South Loop West, Suite 620, Houston, TX, 77054 PHONE: (713) 636-6944 FAX: (713) 636-6945 EMAIL: mgf@captivfire.com

Luca & Leonardo #1198090
The Woodlands, TX

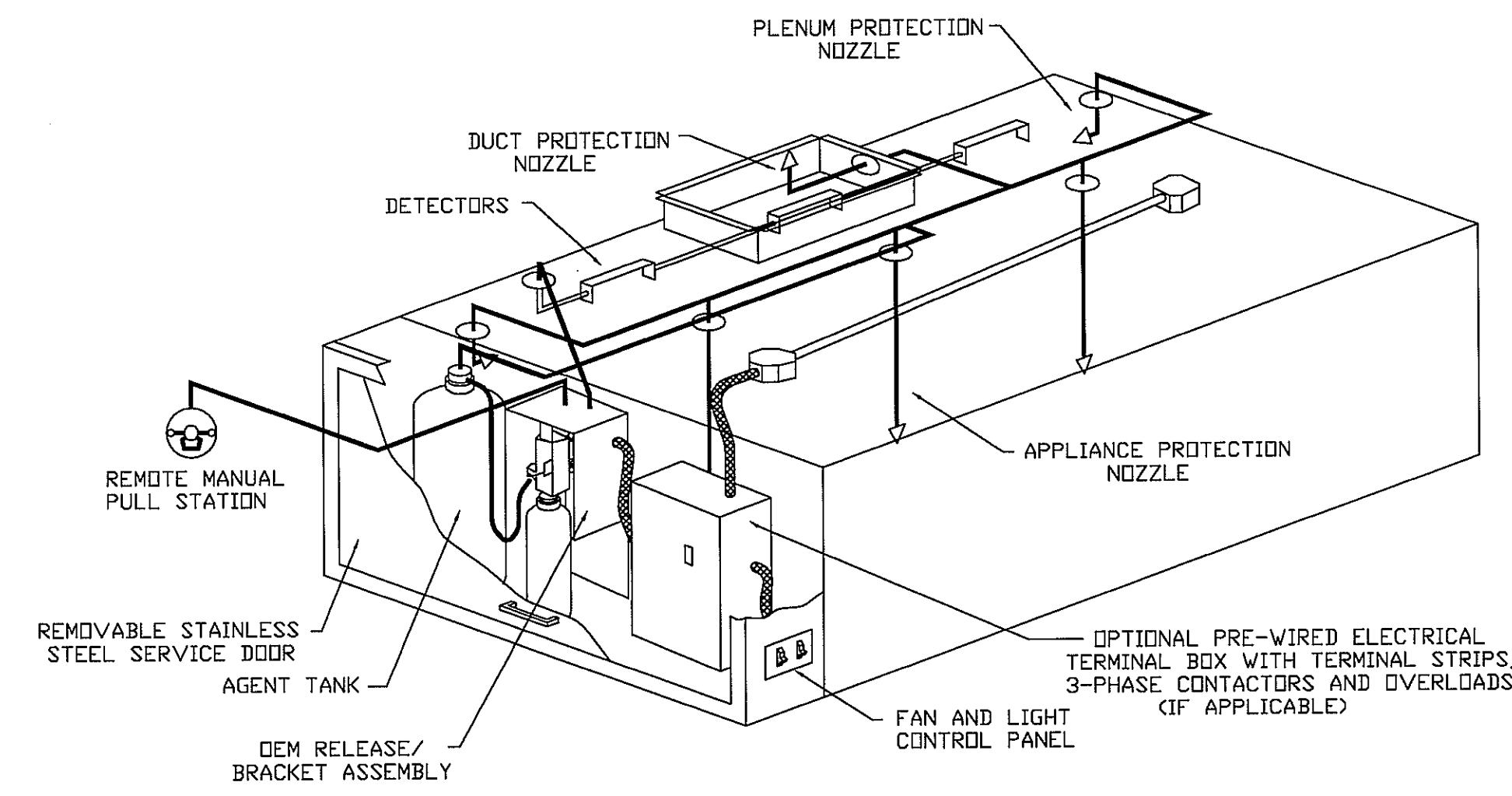
DATE: 8/11/2010
DWG.#: 1198090
DRAWN BY: GAF
SCALE: 1/16
MASTER DRAWING

SHEET NO. 2

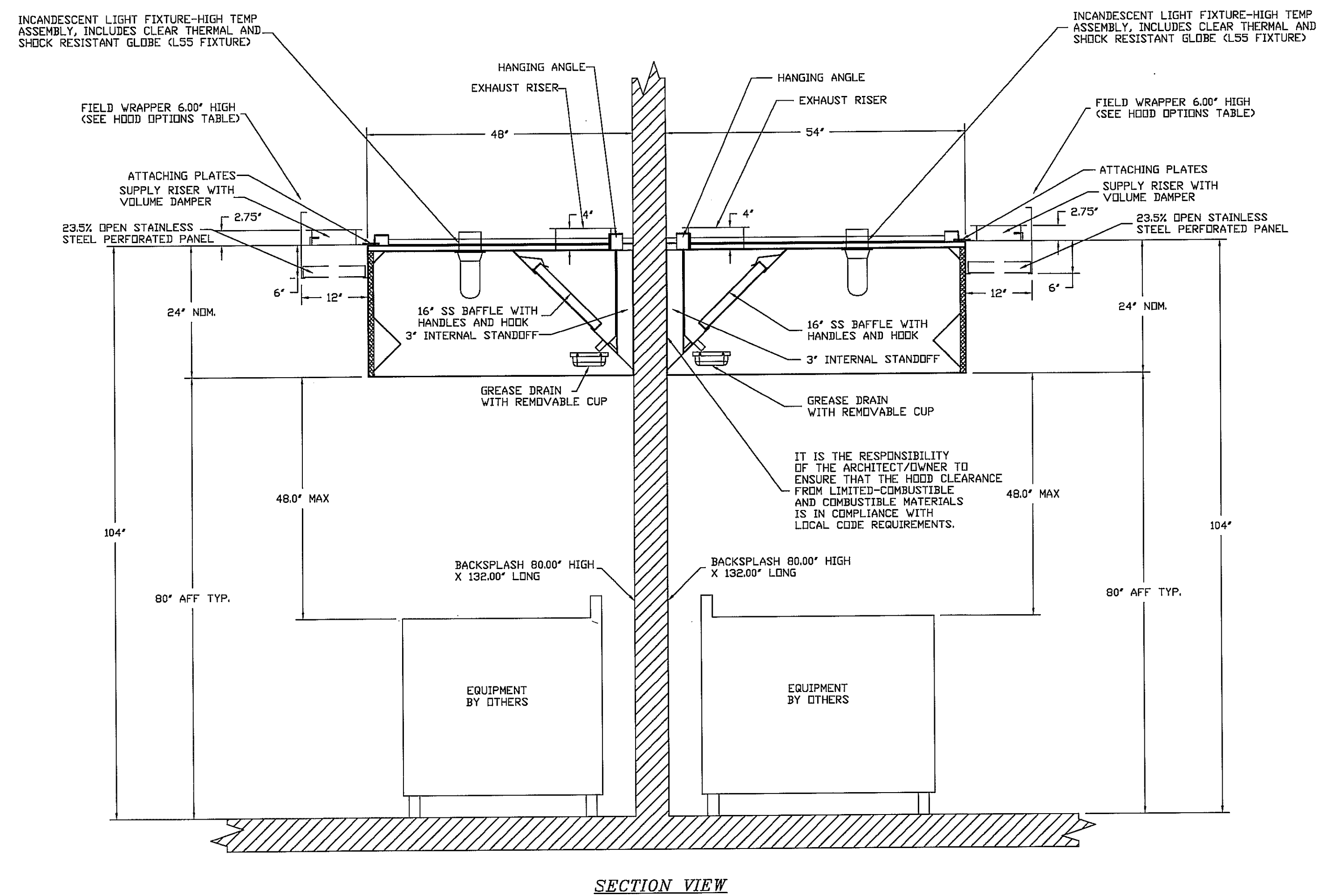
PLAN VIEW - Hood #2
9' 9.00" LONG 5424ND-2-PSP-F



PLAN VIEW - Hood #1
11' 9.00" LONG 4824ND-2-PSP-F



TYPICAL ANSUL R-102 SYSTEM LAYOUT



SECTION VIEW