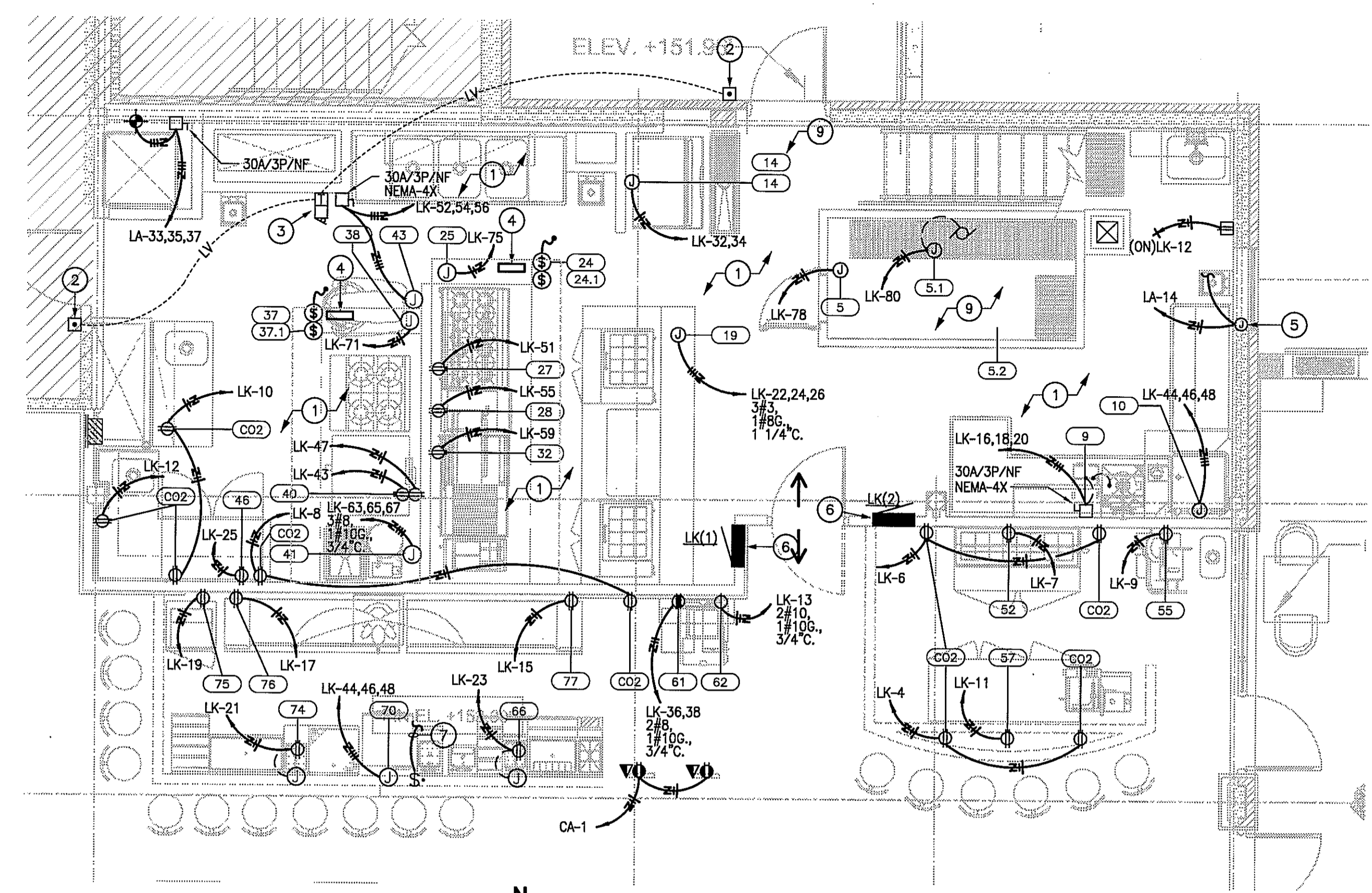
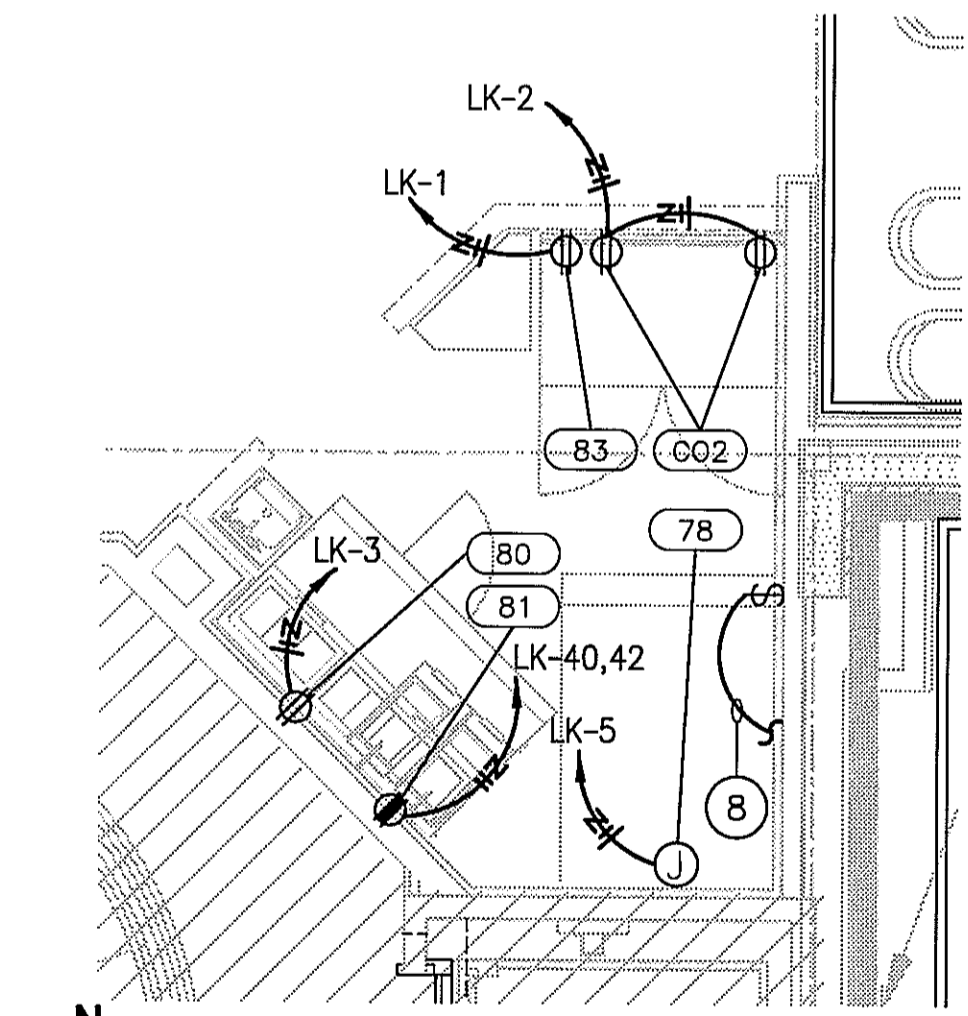




ISSUE
 09-10-10 ISSUED FOR PERMIT
 10-08-10 DBR REVIEW COMMENTS
 11-02-10 ISSUED FOR CONSTRUCTION



ELECTRICAL KITCHEN PLAN
 SCALE: 1/4" = 1'-0"



ELECTRICAL PARTIAL POWER PLAN
 SCALE: 1/4" = 1'-0"

ELECTRICAL KEYED NOTES:

- (FOR SHEET E2.01)
- ALL 15A/1P AND 20A/1P RECEPTACLES WITHIN KITCHEN SHALL BE GFI PROTECTED PER NEC.
 - PROVIDE EDWARDS LOW VOLTAGE PUSH BUTTON #603-L MOUNTED AT +48" A.F.G.
 - PROVIDE EDWARDS ADAPTABUZZER "340A SERIES" WITH 24V LOW VOLTAGE TRANSFORMER.
 - PRE-WIRED ELECTRICAL PACKAGE PROVIDED BY HOOD MANUFACTURER. ADDITIONAL SHUNT TRIP BREAKERS SHALL BE PROVIDED BY CONTRACTOR. INTERLOCKING OF KITCHEN SUPPLY AND EXHAUST FANS IS CONTROLLED BY PRE-WIRED ELECTRICAL PACKAGE. 3 PHASE MOTOR STARTERS SHALL BE PROVIDED FOR THE PRE-WIRED ELECTRICAL PACKAGE. COORDINATE/CONSULT WITH HOOD MANUFACTURER FOR MORE INFORMATION. REFER TO SHEET E1.00 FOR LIGHTING UNDER HOOD.
 - COORDINATE FINAL LOCATION AND REQUIREMENTS WITH OWNER PROVIDED EQUIPMENT PRIOR TO ROUGH-IN.
 - NEW 120/208V, 3ø, 4W PANELBOARD LK(1) & LK(2) (RECESSED 2-SECTION). REFER TO SHEET E4.00 FOR PANEL SCHEDULE INFORMATION.
 - CONNECT TO DISHWASHER EXHAUST FAN.
 - CONNECT TO PIZZA HOOD EXHAUST FAN.
 - RE: E2.03 FOR CONDENSERS MOUNTED ON ROOF.

NO.	VOLTS	PH.	LOAD	HEIGHT A.F.F.	LOC.	CONN.	REMARKS
CO1	120	1	15.0 A	4'-2"	WALL	DCO	CONVENIENCE OUTLET
CO2	120	1	15.0 A	45"	WALL	DCO	CONVENIENCE OUTLET - MOUNT HORIZONTAL
5	120	1	8.0 A	108"	DFA	J-BOX	ETC ON WALK-IN LIGHT CIRCUIT/DOOR HEATER
5.1	120	1	VERIFY	108"	DFA	J-BOX	ETC ON WALK-IN COOLER COIL.
5.2	208	3	VERIFY	—	ROOF	J-BOX	ETC ON WALK-IN COOLER CONDENSER - VERIFY LOCATION ON ROOF
9	208	3	6.2 A	18"	WALL	J-BOX	ETC ON DISPOSER THROUGH CONTROL PANEL.
10	208	3	VERIFY	66"	WALL	J-BOX	ETC ON DISHWASHER; INTERWIRE TO CONDENSATE FAN
14	208	1	15.4 A	5'-0"	WALL	J-BOX	ETC ON ICE MACHINE; INTERCONNECT TO REMOTE CONDENSER
14.1	—	—	VERIFY	—	ROOF	J-BOX	ETC ON ICE CONDENSING UNIT. VERIFY LOCATION INTERCONNECT FROM ICE MACHINE
19	208	3	75.0 A	6"	FLOOR	J-BOX	ETC TO LOAD CENTER
24	—	—	—	—	ROOF	J-BOX	ETC HOOD FANS; SEE EXHAUST HOOD DRAWINGS FOR DETAILS
24.1	120	1	14.0 A	108"	DFA	J-BOX	ETC HOOD LIGHTS; SEE EXHAUST HOOD DRAWINGS FOR DETAILS
25	120	1	20.0 A	108"	DFA	J-BOX	ETC FIRE SUPPRESSION SYSTEM; SEE EXHAUST HOOD DRAWINGS FOR DETAILS
27	120	1	5.4 A	18"	WALL	DCO	FOR REFRIGERATED EQUIPMENT STAND
28	120	1	5.0 A	18"	WALL	DCO	FOR PASTA COOKER
32	120	1	5.4 A	18"	WALL	DCO	FOR REFRIGERATED EQUIPMENT STAND
37	—	—	—	—	ROOF	J-BOX	ETC HOOD FANS; SEE EXHAUST HOOD DRAWINGS FOR DETAILS
37.1	120	1	14.0 A	108"	DFA	J-BOX	ETC HOOD LIGHTS; SEE EXHAUST HOOD DRAWINGS FOR DETAILS
38	120	1	20.0 A	108"	DFA	J-BOX	ETC FIRE SUPPRESSION SYSTEM; SEE EXHAUST HOOD DRAWINGS FOR DETAILS
40	120	1	6.0 A EACH	18"	WALL	TWO(2) DCO	FOR CONNECTION OVEN
41	208	3	30.0 A	18"	WALL	J-BOX	FOR ELECTRIC KETTLE
43	208	3	10.0 A	4'-0"	WALL	J-BOX	ETC ON MIXER
46	120	1	5.0 A	18"	WALL	DCO	FOR UNDERCOUNTER REFRIGERATOR
52	120	1	9.0 A	18"	WALL	DCO	FOR REFRIGERATED PREP TABLE
55	120	1	7.0 A	50"	WALL	DCO	FOR SLICER; MOUNT HORIZONTAL
57	120	1	9.0 A	18"	WALL	DCO	FOR UNDERCOUNTER REFRIGERATOR
61	208	1	30.0 A	4'-2"	WALL	SCO	FOR COFFEE BREWER, VERIFY REQUIREMENTS
62	120	1	20.0 A	4'-2"	WALL	SCO	FOR TEA BREWER - VERIFY REQUIREMENTS
66	120	1	15.0 A	12"	WALL	J-BOX	ETC TO DCO ON BLENDER STATION
70	208	3	VERIFY	24"	WALL	J-BOX	ETC ON DISHWASHER - VERIFY REQUIREMENTS
74	120	1	15.0 A	12"	WALL	J-BOX	ETC TO DCO ON BLENDER STATION
75	120	1	2.3 A	18"	WALL	DCO	FOR BACK BAR FREEZER
76	120	1	6.5 A	18"	WALL	DCO	FOR BACK BAR COOLER
77	120	1	6.5 A	18"	WALL	DCO	FOR BACK BAR COOLER
78	120	1	2.0 A	18"	WALL	J-BOX	ETC; FOR PIZZA OVEN
80	120	1	7.9 A	18"	WALL	DCO	FOR REFRIGERATED PREP TABLE
81	208	1	15.0 A	4'-6"	WALL	SCO	FOR PANINI GRILL
83	120	1	5.0 A	18"	WALL	DCO	FOR UNDERCOUNTER REFRIGERATOR

ELECTRICAL NOTES	
A	ALL ELECTRICAL OUTLETS SHOWN ON THIS PLAN ARE FOR FIXTURES SPECIFIED AS FURNISHED BY THE KITCHEN EQUIPMENT SUPPLIER. FOR FURTHER BUILDING ELECTRICAL REQUIREMENTS (TELEPHONES, CLOCKS, SIGNS, ETC.) SEE OTHER PLANS
B	ALL DIMENSIONS GIVEN ARE IN INCHES TO 4'-0" AND ARE FROM CENTERLINES AND/OR FINISHED WALLS. ELEVATIONS GIVEN ARE FROM FINISHED FLOOR TO CENTERLINE OF OUTLET. ALL ROUGH-INS SHOWN ARE TO BE RUN INSIDE WALLS (EXCEPT STUB-UPS). LOCATION INDICATES POINT OF EXIT FROM WALLS, CEILINGS OR FLOORS. ALL CONVENIENCE OUTLETS ARE TO SET HORIZONTALLY. ALL 120 VOLT OUTLETS NOT DESIGNATED WITH SPECIFIC LOADS TO BE RATED AT 20.0 AMPS.
C	ELECTRICIAN TO CONNECT ALL ELECTRICAL EQUIPMENT AND FIXTURES AND DO ANY INTERNAL WIRING REQUIRED IN THE FIXTURES AS REQUIRED BY THE SPECIFICATIONS. ALL ELECTRICAL OUTLET COVER PLATES ARE TO BE STAINLESS STEEL AND ARE TO BE FURNISHED BY THE ELECTRICIAN, AS WELL AS THE RECEPTACLE, UNLESS OTHERWISE SPECIFIED IN THE ITEM SPECIFICATIONS. ALL DISCONNECT SWITCHES ARE TO BE FURNISHED AND INSTALLED BY THE ELECTRICIAN AT TIME OF INSTALLATION.
D	ALL WORK TO BE PERFORMED IN FULL ACCORDANCE WITH ALL APPLICABLE CODES RELATING TO WIRING, INSTALLATION AND WIRING OF EQUIPMENT. OMISSIONS OR ERRORS ON THE SCHEDULE DO NOT RELIEVE THE ELECTRICIAN FROM COMPLETE FINAL CONNECTION RESPONSIBILITY.
E	IF ELECTRICAL OUTLETS AND/OR RECEPTACLES ARE CHANGED FROM "STUB-UP" TO "WALL-MOUNTED", THE "WALL-MOUNTED" OUTLETS AND/OR RECEPTACLES ARE TO BE SET AT 12" A.F.F.

ELECTRICAL SYMBOLS/ABBREVIATIONS			
⊕	JUNCTION BOX (J-BOX)	A	AMPERES
⊖	CONDUIT	V	VOLTS
•	STUB-UP	W	WATTS
⊕	DUPLEX CONVENIENCE OUTLET (DCO)	PH	PHASE
⊖	SINGLE CONVENIENCE OUTLET (SCO)	DFA	DOWN FROM ABOVE
⊕	SINGLE POWER OUTLET (208)	BTC	BRANCH TO CONNECTION POINT AND CONNECT EQUIPMENT
⊕	LIGHT INDICATION	SU	STUB UP ABOVE FINISHED FLOOR
⊕	BREAKER PANELBOARD	HP	HORSE POWER
⊕	SWITCH AS NOTED	KW	KILLOWATTS
⊕	MOTOR	DC	DIRECT CONNECTION
⊕	HEATING ELEMENT	KES	KITCHEN EQUIPMENT SUPPLIER
EL	ELEVATION ABOVE FINISHED FLOOR		

HARRELL
 ARCHITECTS, LP
 9575 Katy Frwy., #200
 Houston, Texas 77024
 Tel: 713.722.7071
 Fax: 713.722.7072

CONSULTANTS
HOLSTE & ASSOCIATES
 MEP Engineers
 Holste & Associates, Inc.
 Consulting Engineers - Texas Reg. F-5445
 6671 Southwest Freeway, Suite 550
 Houston, Texas 77074 (713) 990-1351
 www.holsteme.com

PROJECT NAME
LUCA & LEONARDO RESTAURANT
LUCA & LEONARDO RESTAURANT
 PROJECT ADDRESS
 20 WATERWAY
 THE WOODLANDS, TEXAS

PROJECT NUMBER
 10018
 SHEET NAME
ELECTRICAL KITCHEN PLAN
 SHEET NUMBER

E2.01