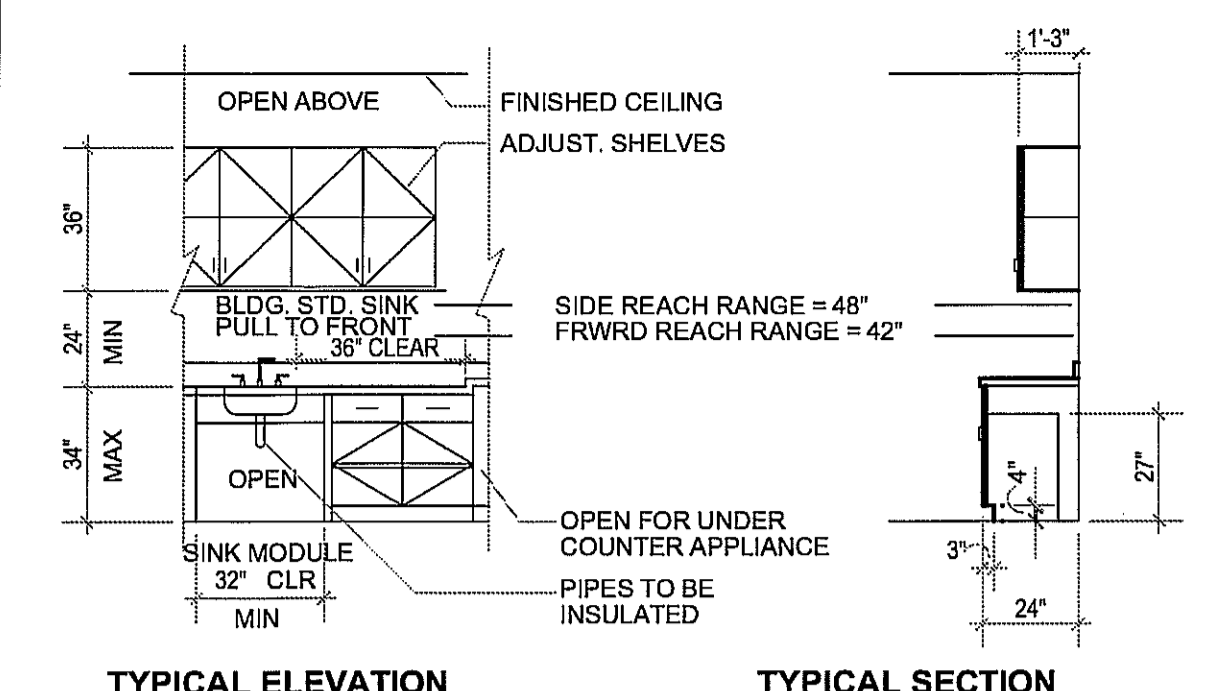


ISSUE
 09/03/10 ISSUED FOR PERMIT 1
 10/22/2010 Issued for Construction 2



- A. DIMENSIONS SHOWN ON THIS SHEET ARE TYPICAL AND SHALL BE USED UNLESS SHOWN OTHERWISE IN THE CONTRACT DOCUMENTS.
- B. NOT ALL ITEMS INDICATED ON THIS SHEET ARE USED IN THIS PROJECT. REFER TO THE CONTRACT DOCUMENTS FOR ITEMS THAT ARE USED.
- C. ALL CONTROLS, SWITCHES, THERMOSTATS, ETC. SHALL BE MOUNTED NOT TO EXCEED 48" IN HEIGHT FOR FORWARD APPROACH & 54" MAX. FOR SIDE APPROACH.
- D. FAUCETS TO OPERATE AT A MAX. FORCE OF 5 LBS.

TYPICAL ELEVATION **TYPICAL SECTION**

* THESE DETAILS ARE SCHEMATIC ONLY. REFER TO ARCH. PLAN FOR EXACT CABINET LENGTH, SINK LOCATION, AND/OR UNDER COUNTER APPLIANCE.

NOTES:
 1. ALL TYPICAL NOTES (BELOW) APPLY.
 2. CABINET DETAIL APPLIES ONLY IF SHOWN ON ARCH. PLAN.
 3. UPPER CABINETS APPLY ONLY WHEN SHOWN ON ARCH. PLAN.

TYPICAL MILLWORK REQUIREMENTS	1/4" = 1'-0"	8	GENERAL NOTES	4
-------------------------------	--------------	---	---------------	---

GENERAL NOTES:

- WHERE THERE IS INSUFFICIENT WALL SPACE ON THE LATCH SIDE OF THE DOOR, MOUNT SIGN ON WALL ADJACENT TO LATCH SIDE, WITH CENTER LINE 5'-0" ABOVE FLOOR.
- SIGNS FOR ALL MEN'S AND WOMEN'S TOILETS ARE THE ONLY ONES WITH PICTOGRAPHS. ALL OTHERS ARE SIMILAR TO THE LOWER EXAMPLE.
- LETTERS AND NUMERALS SHALL BE 3/4" HIGH, UPPER CASE, IN A SANS SERIF TYPEFACE, WITH LETTER WIDTH-TO-HEIGHT RATIO BETWEEN 3:5 AND 1:1. STROKE WIDTH-TO-HEIGHT RATIO SHALL BE BETWEEN 1:5 AND 1:10.
- LETTERS AND NUMERALS SHALL BE RAISED (PICTOGRAM TO BE RAISED OR INCISED) A MINIMUM OF 1/32", AND SHALL BE ACCOMPANIED BY GRADE 2 BRAILLE, PLACED BELOW THE LETTERS.
- CHARACTERS AND BACKGROUNDS OF SIGNS SHALL BE OF A NON-GLARE FINISH, AND SHALL HAVE A SIGNIFICANT LIGHT-DARK CONTRAST WITH EACH OTHER.
- REFER TO SPECIFICATIONS FOR MATERIALS AND PERMISSIBLE MOUNTING METHODS.
- CONSULT LOCAL CODE OFFICIAL FOR VERIFICATION PRIOR TO SIGN FABRICATION.

INTERIOR SIGNAGE BY CONTRACTOR:
 1/8" THICK PLASTIC LAMINATE WITH BLACK LETTERING

Mounting Location SCALE: 1/4" = 1'-0"

Typical Signs SCALE: 1/2" = 1'-0"

ROOM IDENTIFICATION SIGNAGE	NTS	3
-----------------------------	-----	---

HARRELL
 ARCHITECTS, LP

9575 Katy Frwy., #200
 Houston, Texas 77024
 tel: 713.722.7071
 fax: 713.722.7072

CONSULTANTS

Holste & Associates, Inc
 MEP Engineers

TDG
 Food Service

Paul Engineering
 Structural Engineers

PROJECT NAME

LUCA & LEONARDO RESTAURANT

LUCA & LEONARDO
 RESTAURANTE

PROJECT ADDRESS

20 WATERWAY
 THE WOODLANDS, TEXAS

PROJECT NUMBER

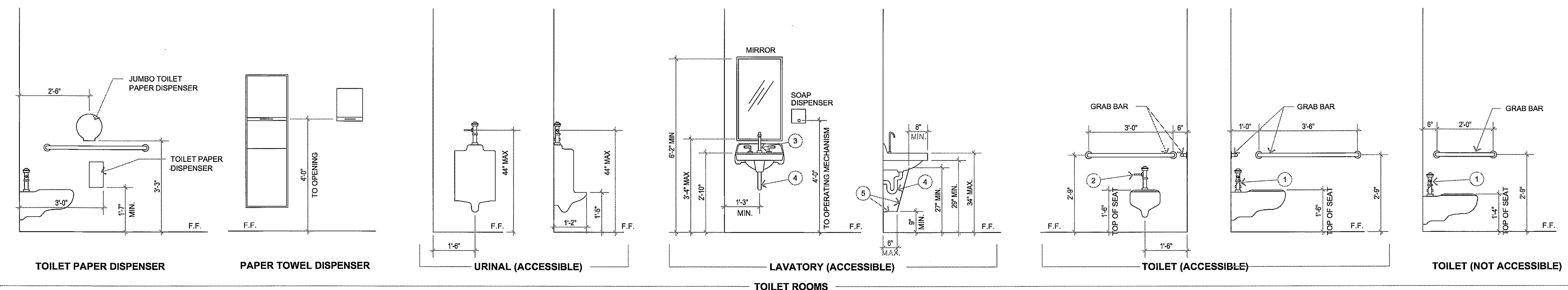
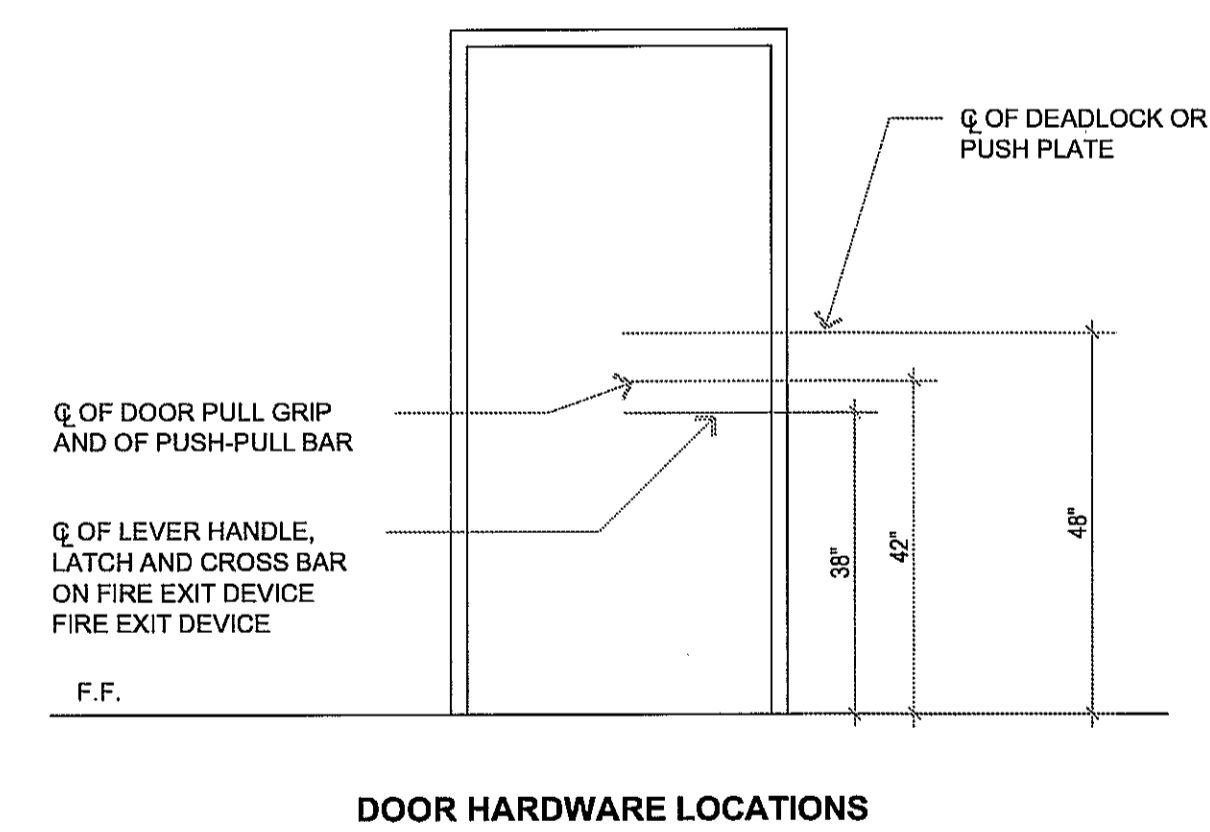
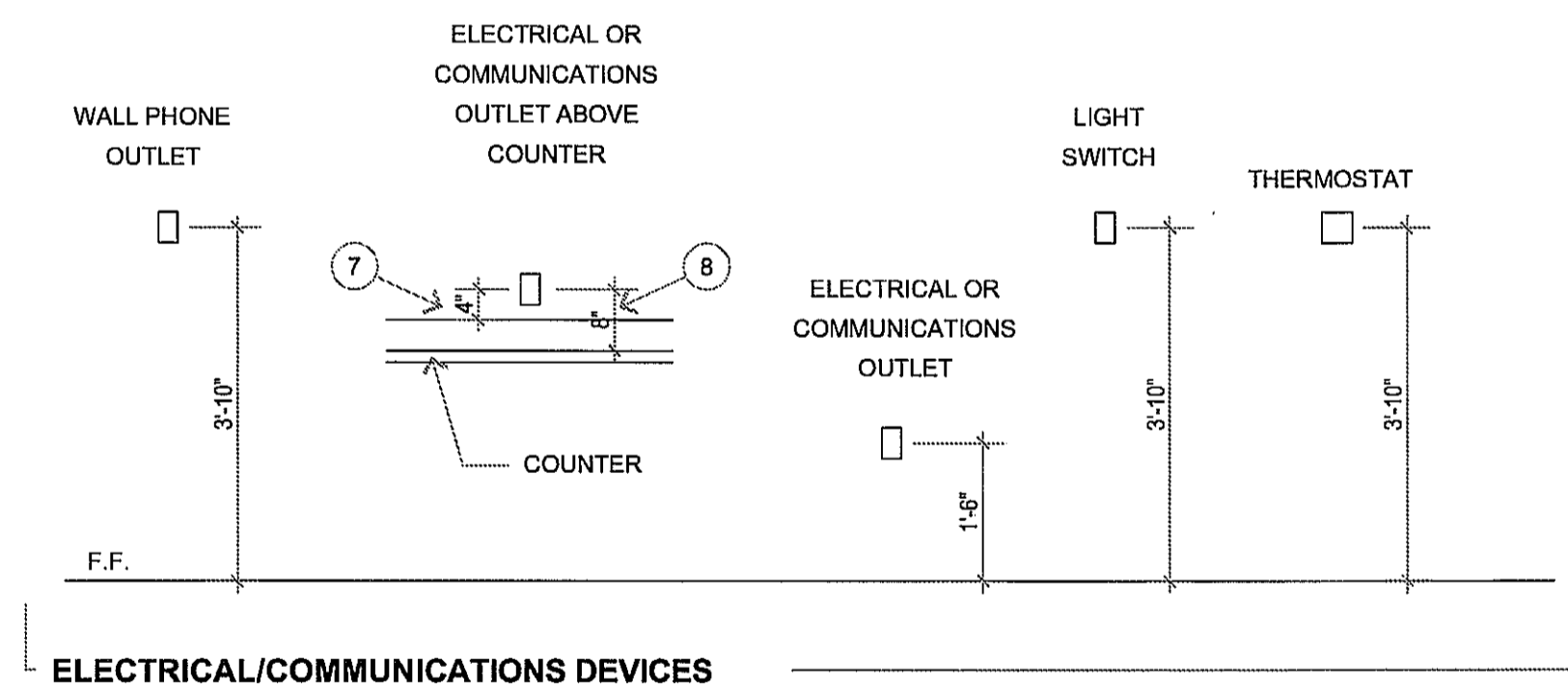
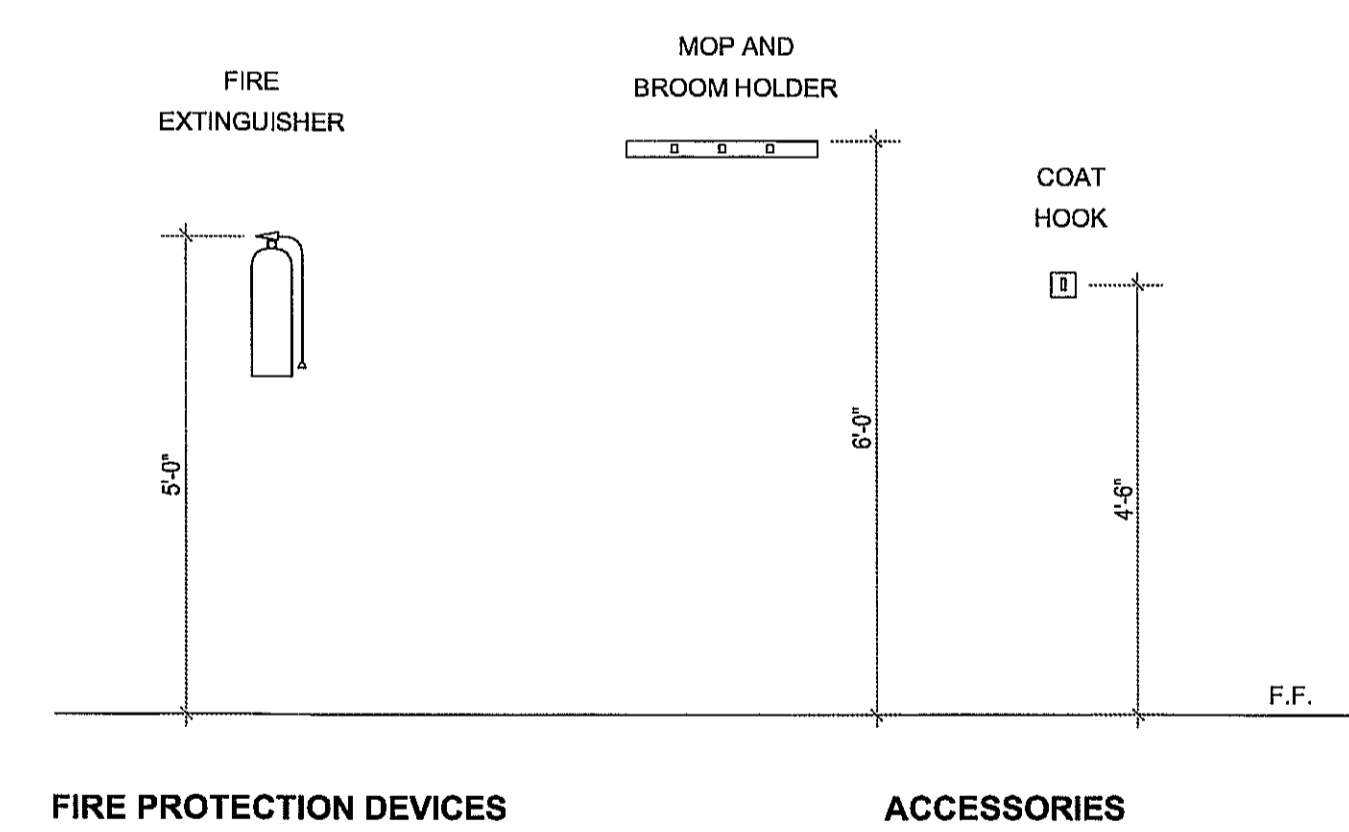
10018

SHEET NAME

ADA DATA

SHEET NUMBER

A0.03



TYPICAL ADA COMPLIANCE REQUIREMENTS	1/2" = 1'-0"	1
-------------------------------------	--------------	---