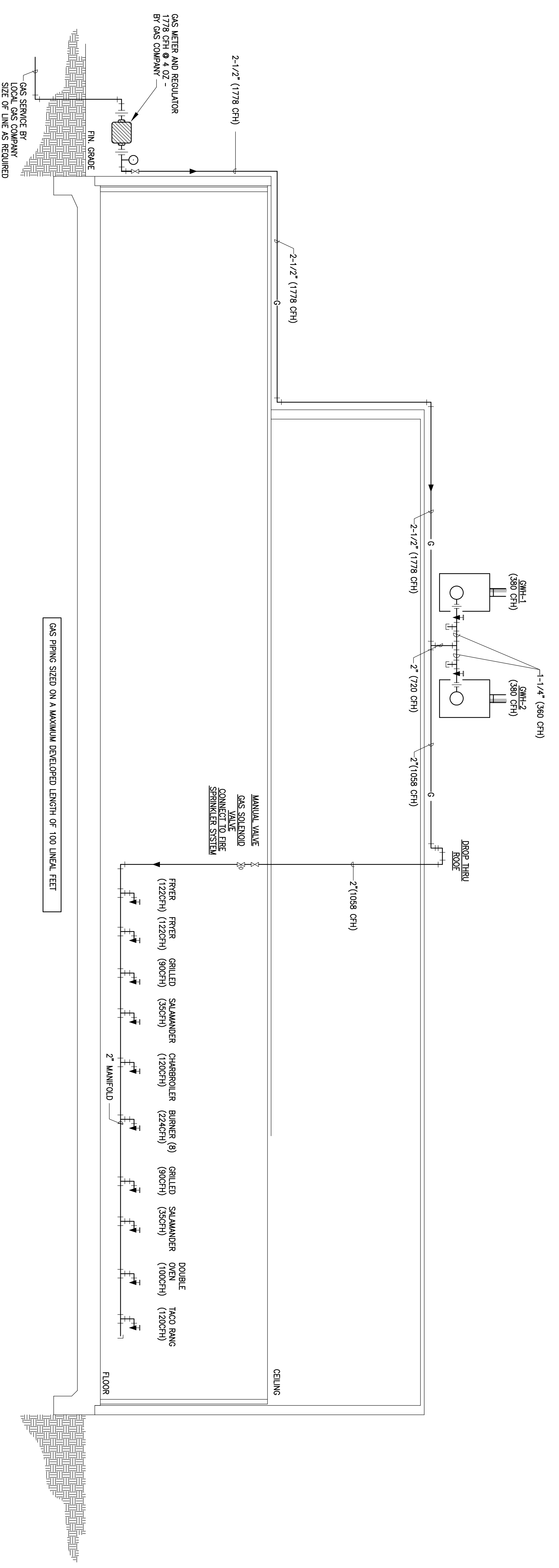
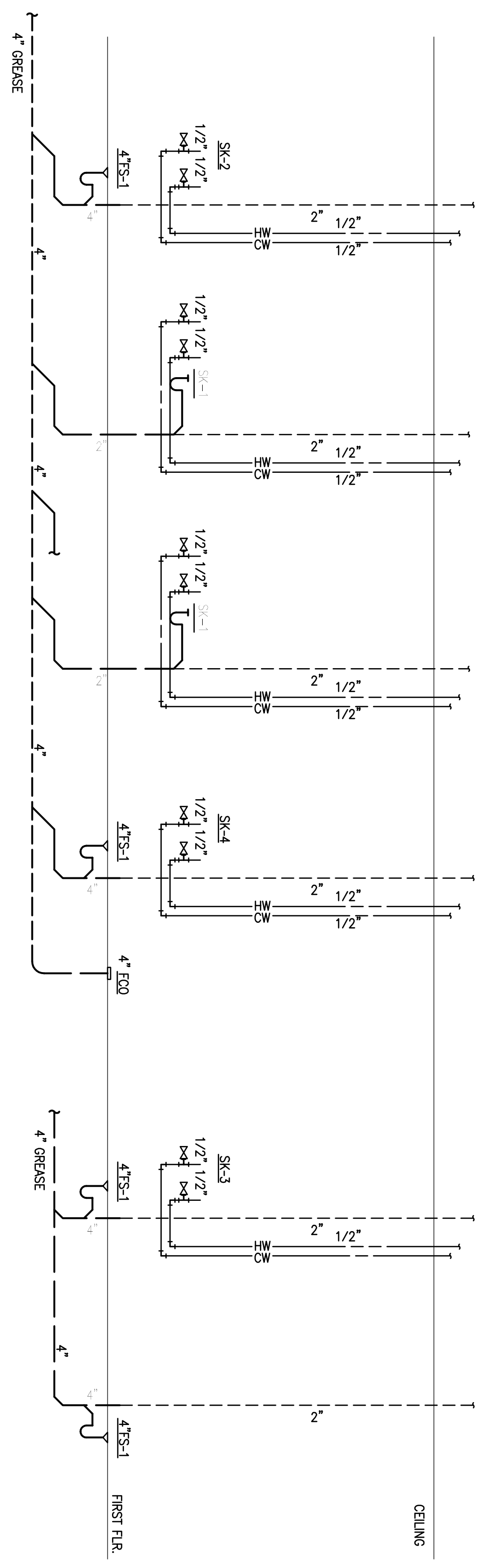
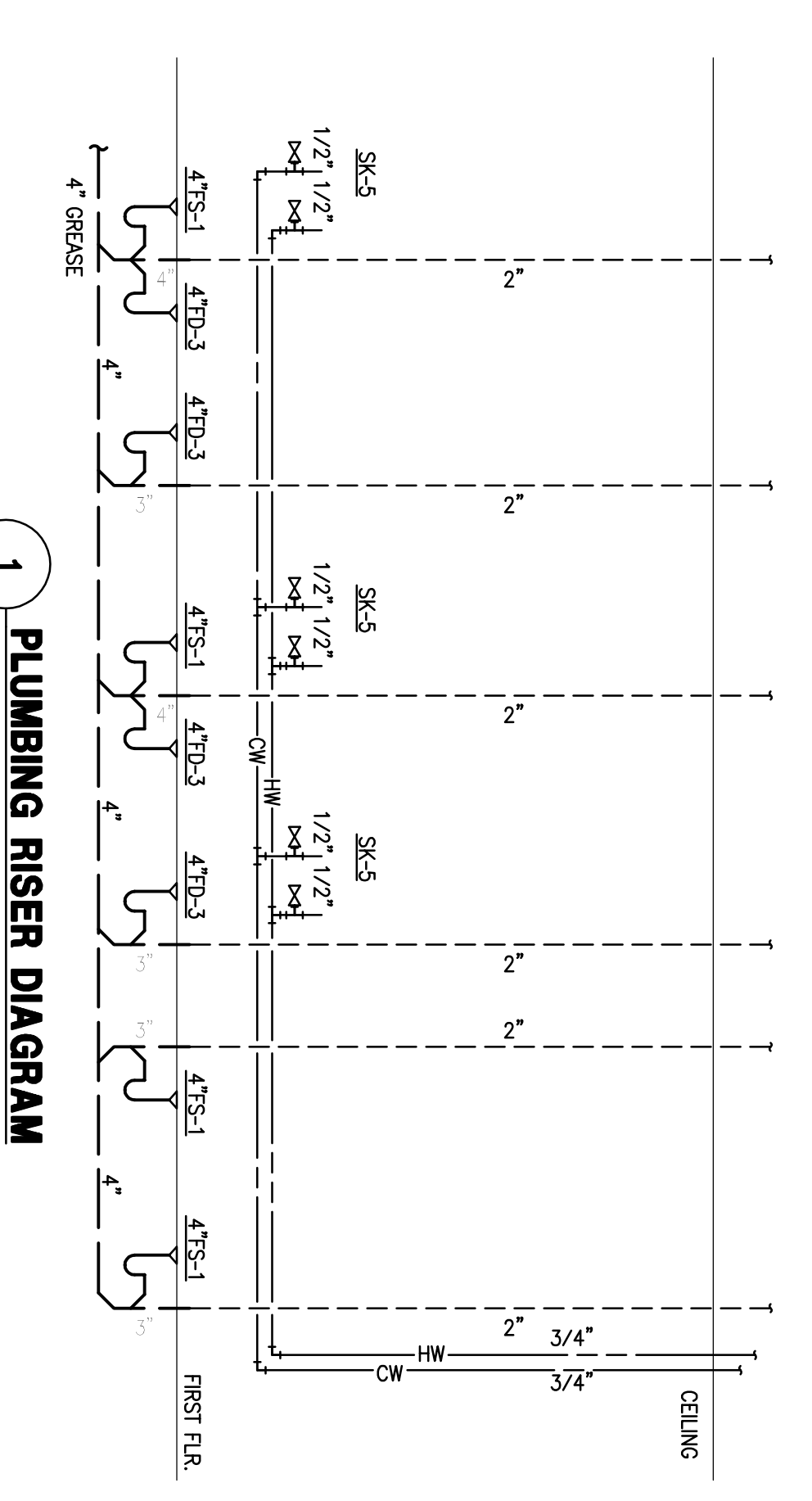
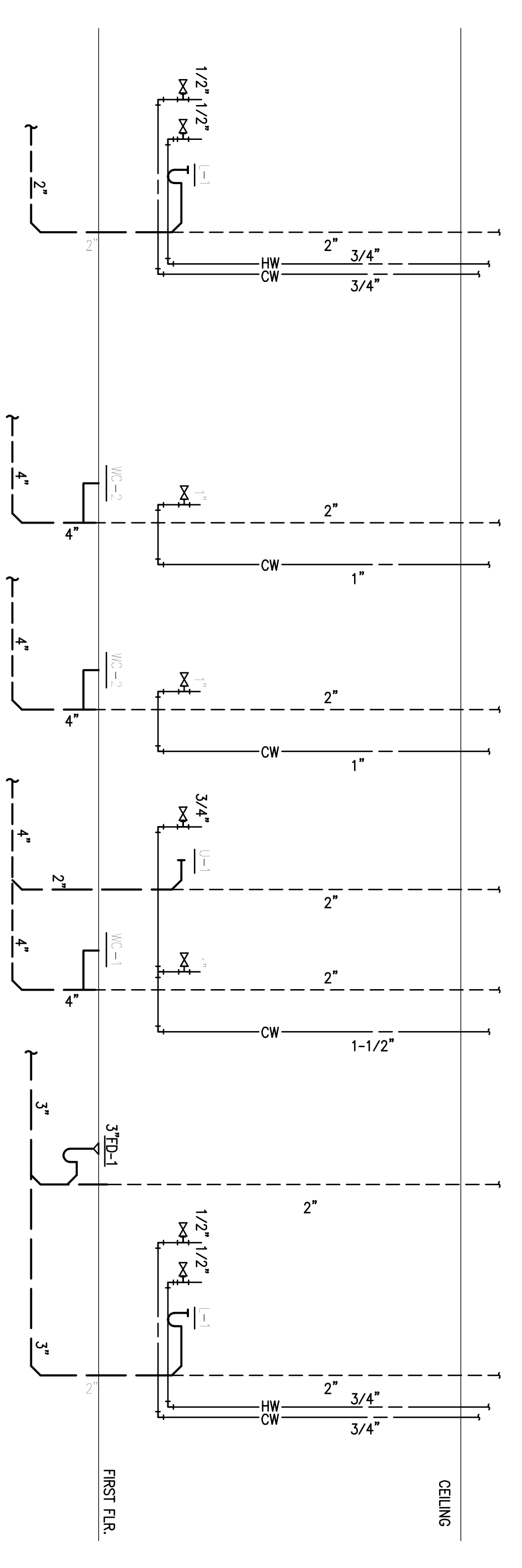


ISSUE  
11-30-10 ISSUED FOR PERMIT



**1 NATURAL GAS RISER**  
SCALE: NONE



**1 PLUMBING RISER DIAGRAM**  
SCALE: NONE

**HARRELL**  
ARCHITECTS, LP  
9275 Kuhl Fwy., #200  
Houston, Texas 77024  
tel: 713.722.7071  
fax: 713.722.7072

CONSULTANTS  
HOI STE & ASSOCIATES  
MEP Engineers

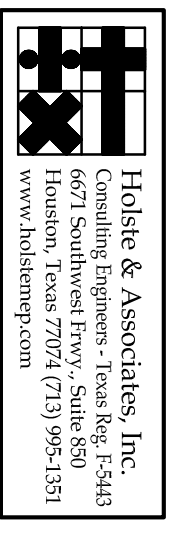
PROJECT NAME  
GUADALUPANA  
RESTAURANT



PROJECT ADDRESS  
20 WATERWAY  
THE WOODLANDS, TEXAS

PROJECT NUMBER  
SHEET NUMBER  
PLUMBING GAS  
RISER & DETAILS  
SHEET NUMBER

**P4.00**



Holsie & Associates, Inc.  
Consulting Engineers - Texas Reg. 15843  
Houston, Texas 77071 (713) 962-1371  
www.holsie.com