

11/30/2010

ISSUE  
11-30-10 ISSUED FOR PERMIT

**HARRELL**  
ARCHITECTS, LP  
9276 KWH Fwy. #200  
Houston, Texas 77024  
Tel: 713.722.7071  
Fax: 713.722.7072

CONSULTANTS  
HQS STE & ASSOCIATES  
MEP Engineers

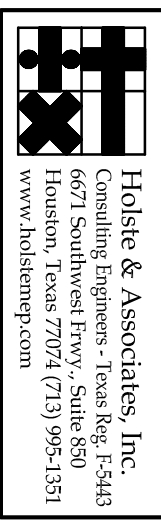
PROJECT NAME  
GUADALUPANA  
RESTAURANT



PROJECT ADDRESS  
20 WATERWAY  
THE WOODLANDS, TEXAS

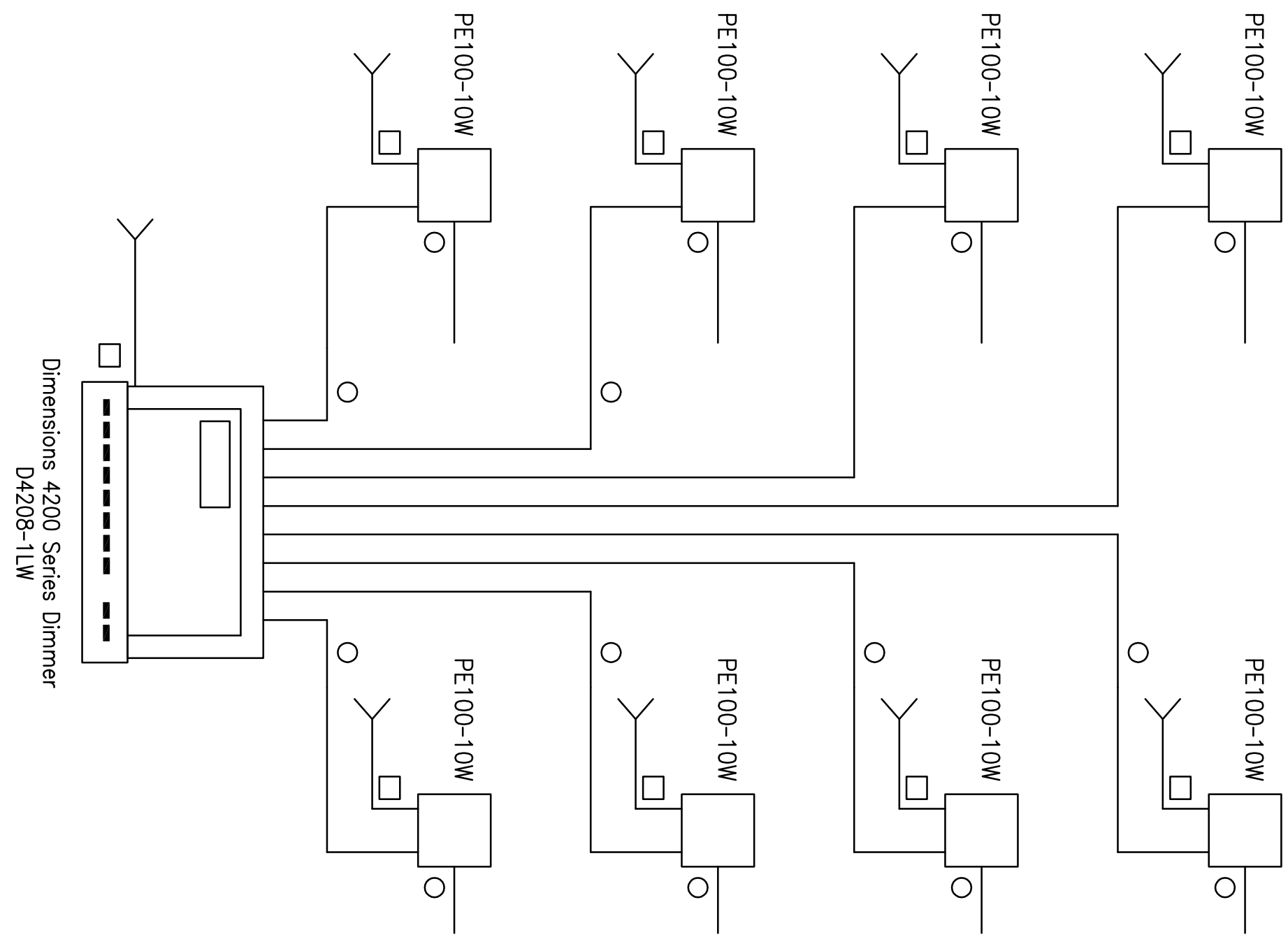
PROJECT NUMBER  
SHEET NAME  
**DIMMING SYSTEM  
SCHEMATIC**  
SHEET NUMBER

**E3.00**



Holbe & Associates, Inc.  
Consulting Engineers - Texas Reg. 15443  
Houston, Texas 77071 (713) 962-1371  
www.holbe.com

- SYMBOL KEY**
- △ TWO POWER CONDUCTORS AND DATA CABLE. SEE PRODUCT DATA SHEETS FOR TYPE AND SIZE.
  - CLASS 1 WIRING 2 CONDUCTORS.
  - CLASS 1 WIRING 3 CONDUCTORS.
  - CLASS 2 WIRING 4 CONDUCTORS.
  - #18 AWG MINIMUM CLASS 2 WIRING. SEE INPUT SCHEDULE FOR QTY OF CONDUCTORS.
  - ◆ #18 AWG MINIMUM CLASS 2 WIRING. SEE INPUT SCHEDULE FOR QTY OF CONDUCTORS PER DEVICE.
  - ▼ CAT 5 OR CAT 5E NETWORK CABLE.



**1 DIMMING SYSTEM DIAGRAM**  
SCALE: NONE

- DIMMING SYSTEM NOTES:**
1. WHEREVER CONTROL WIRES SHOWN MUST BE RUN CLOSE TO CLASS 1 REMOTE CONTROL AND SIGNALING CIRCUITS AND/OR ELECTRICAL LIGHT AND POWER CIRCUITS, THESE CONTROL WIRES MUST BE RUN IN SEPARATE METAL CONDUIT.
  2. PROVIDE AN EQUIPMENT GROUND, AS REQUIRED BY THE NATIONAL ELECTRICAL CODE, BETWEEN BUILDING SERVICE ENTRANCE AND THE DIMMER/RELAY EQUIPMENT.
  3. REFER TO DEVICE INSTALLATION MANUAL FOR ADDITIONAL INFORMATION.
  4. THE INTERFACE OF THE ELECTRICAL/ELECTRICAL CONTRACTOR, LEYTON ASSUMES NO RESPONSIBILITY FOR THE FUNCTIONALITY OF EQUIPMENT BY OTHERS AS IT RELATES TO THIS SYSTEM.
  5. CABLE RINGS ARE CONTINUOUS BETWEEN CONNECTED DEVICES. NO SPLICING ALLOWED.
  6. REFER TO BILL OF MATERIALS FOR INCLUDED ACCESSORIES AND EQUIPMENT NOT SHOWN ON THESE DIMMINGS.
  7. PULL SEPARATE NEUTRALS FOR ALL DIMMED CIRCUITS.
  8. BALLASTS NOT BY LEYTON. LEYTON WILL NEED TO KNOW BALLAST TYPE, MANUFACTURER, AND MODEL NUMBER IN ORDER TO INSURE COMPATIBILITY WITH THE LOWEST LEVEL ALLOWED BY THE BALLAST USED. FOR 0-10V CONTROL TYPE BALLASTS, 2 #18AWG MINIMUM WIRES PER ZONE ARE REQUIRED (VIOLET & GRN) AND ADDITIONAL EQUIPMENT MAY BE REQUIRED.
  9. MAGNETIC STEP-DOWN TRANSFORMER PRIMARY MUST BE FUSED FOR LOW VOLTAGE LIGHTING CIRCUITS, MAGNETIC TRANSFORMERS ONLY.