

ISSUE
09-10-10 ISSUED FOR PERMIT

HARRELL
ARCHITECTS, LP

9575 Katy Frwy., #200
Houston, Texas 77024
tel: 713.722.7071
fax: 713.722.7072

CONSULTANTS
HOLSTE & ASSOCIATES
MEP Engineers

PROJECT NAME
GUADALUPANA RESTAURANT



PROJECT ADDRESS
20 WATERWAY
THE WOODLANDS, TEXAS

PROJECT NUMBER

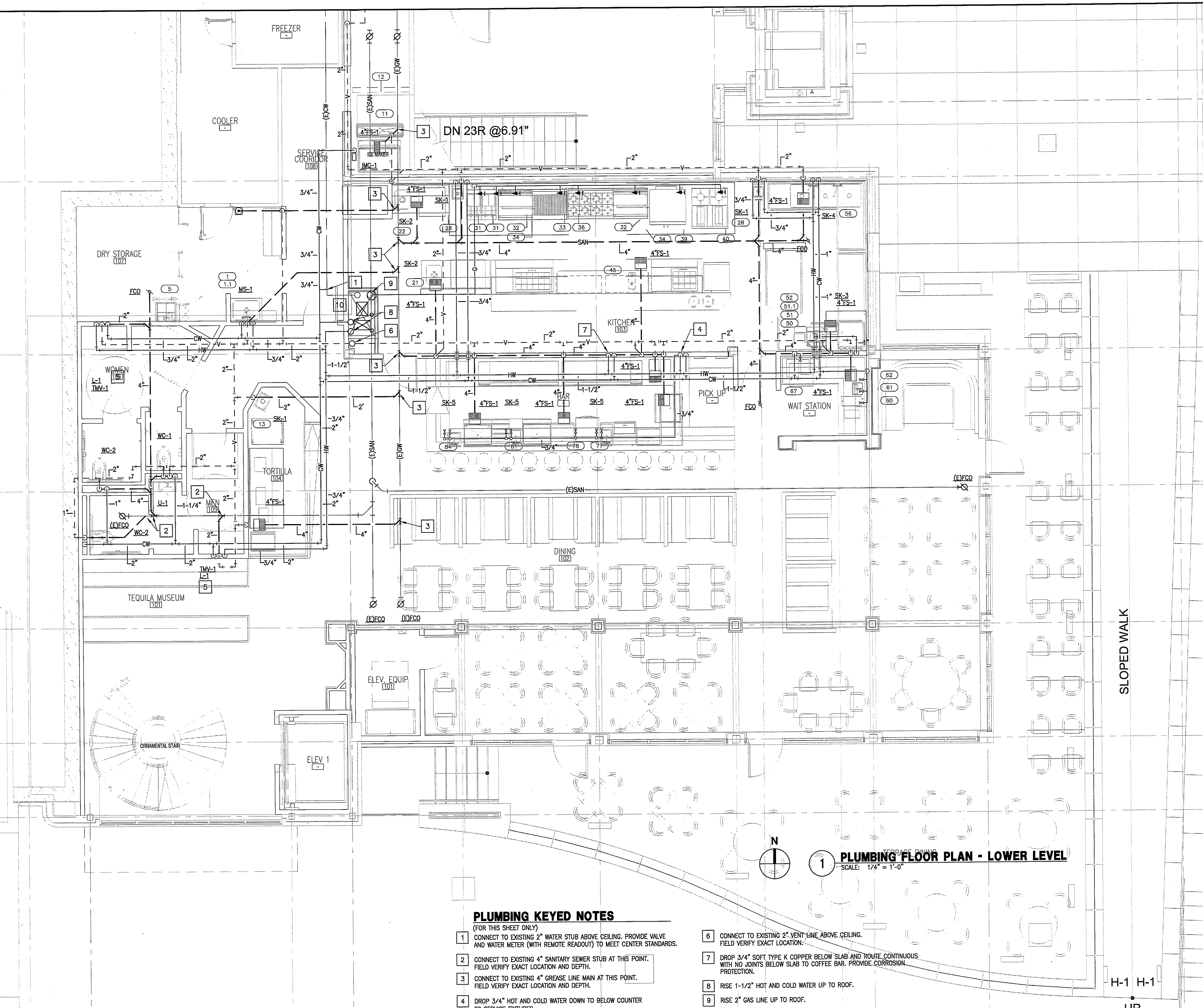
SHEET NAME

PLUMBING FLOOR PLAN

SHEET NUMBER

P1.00

Holste & Associates, Inc.
Consulting Engineers - Texas Reg. E-5493
6671 Southwest Frwy., Suite 850
Houston, Texas 77074 (713) 995-1351
www.holstemep.com



1 PLUMBING FLOOR PLAN - LOWER LEVEL
SCALE: 1/4" = 1'-0"

PLUMBING KEYED NOTES

(FOR THIS SHEET ONLY)

- 1 CONNECT TO EXISTING 2" WATER STUB ABOVE CEILING. PROVIDE VALVE AND WATER METER (WITH REMOTE READOUT) TO MEET CENTER STANDARDS.
- 2 CONNECT TO EXISTING 4" SANITARY SEWER STUB AT THIS POINT. FIELD VERIFY EXACT LOCATION AND DEPTH.
- 3 CONNECT TO EXISTING 4" GREASE LINE MAIN AT THIS POINT. FIELD VERIFY EXACT LOCATION AND DEPTH.
- 4 DROP 3/4" HOT AND COLD WATER DOWN TO BELOW COUNTER TO SERVICE FIXTURES.
- 5 PROVIDE THERMOSTATIC MIXING VALVE BELOW FIXTURE TO TEMPER HOT WATER SUPPLY TO FIXTURE.
- 6 CONNECT TO EXISTING 2" VENT LINE ABOVE CEILING. FIELD VERIFY EXACT LOCATION.
- 7 DROP 3/4" SOFT TYPE K COPPER BELOW SLAB AND ROUTE CONTINUOUS WITH NO JOINTS BELOW SLAB TO COFFEE BAR. PROVIDE CORROSION PROTECTION.
- 8 RISE 1-1/2" HOT AND COLD WATER UP TO ROOF.
- 9 RISE 2" GAS LINE UP TO ROOF.
- 10 COORDINATE ROUTING OF PIPING INSIDE CHASE WITH MECHANICAL DUCT.



ISSUE
09-10-10 ISSUED FOR PERMIT

HARRELL
ARCHITECTS, LP

9575 Katy Frwy., #200
Houston, Texas 77024
tel: 713.722.7071
fax: 713.722.7072

CONSULTANTS
HOLSTE & ASSOCIATES
MEP Engineers

PROJECT NAME
GUADALUPANA RESTAURANT



PROJECT ADDRESS
20 WATERWAY
THE WOODLANDS, TEXAS

PROJECT NUMBER

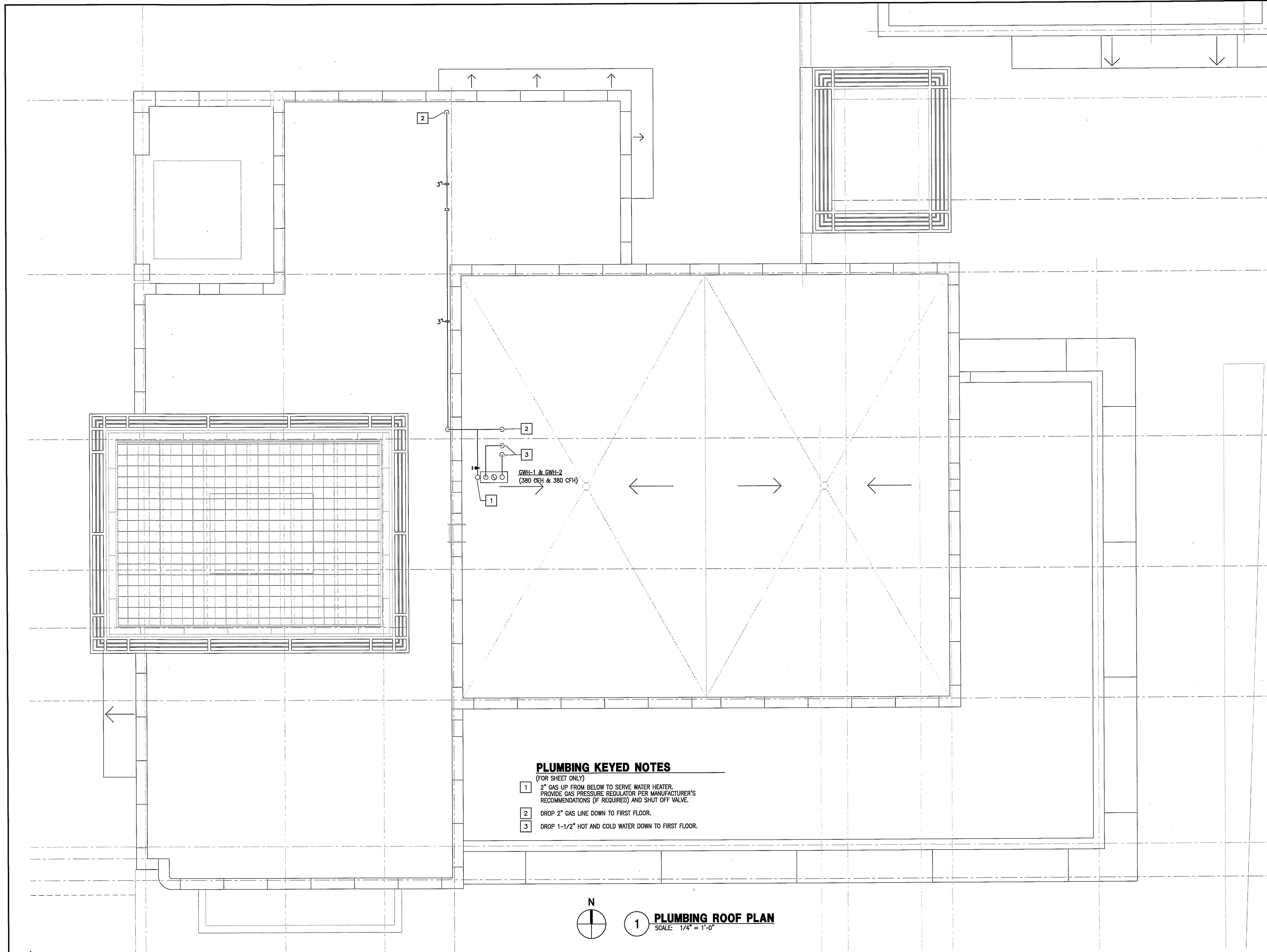
SHEET NAME

PLUMBING ROOF PLAN

SHEET NUMBER

P1.01

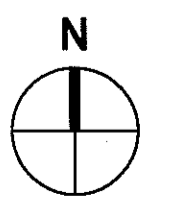
Holste & Associates, Inc.
Consulting Engineers - Texas Reg. E-5443
6971 Southwest Frwy., Suite 850
Houston, Texas 77074 (713) 995-1331
www.holstemep.com



PLUMBING KEYED NOTES

(FOR SHEET ONLY)

- 1 2" GAS UP FROM BELOW TO SERVE WATER HEATER. PROVIDE GAS PRESSURE REGULATOR PER MANUFACTURER'S RECOMMENDATIONS (IF REQUIRED) AND SHUT OFF VALVE.
- 2 DROP 2" GAS LINE DOWN TO FIRST FLOOR.
- 3 DROP 1-1/2" HOT AND COLD WATER DOWN TO FIRST FLOOR.



1 **PLUMBING ROOF PLAN**
SCALE: 1/4" = 1'-0"



ISSUE
09-10-10 ISSUED FOR PERMIT

PLUMBING LEGEND

| SYMBOL | DESCRIPTION |
|----------------|--|
| — SAN — | SANITARY OR WASTE PIPING ABOVE GRADE (SAN) |
| — SAN — | SANITARY OR WASTE PIPING BELOW GRADE (SAN) |
| — GW — | GREASE WASTE PIPING (GW) |
| — GW — | GREASE WASTE PIPING BELOW GRADE (GW) |
| — V — | VENT PIPING ABOVE OR BELOW GRADE (V) |
| — CW — | COLD WATER PIPING (CW) |
| — HW — | HOT WATER PIPING (HW) |
| — HWR — | HOT WATER RETURN PIPING (HWR) |
| — TW — | TEMPERED WATER (TW) |
| — TP — | TRAP PRIMER LINE (TP) |
| — GAS — | NATURAL GAS PIPING (G) |
| — GV — | GAS VENT PIPING (GV) |
| → | FLOW DIRECTIONAL ARROW |
| ⊘ | SHUT-OFF VALVE |
| ⊘ | BALANCING VALVE (BV) |
| ⊘ | SOLENOID VALVE (SV) |
| ⊘ | BALL VALVE (BV) |
| ⊘ | BUTTERFLY VALVE |
| ⊘ | GAS PLUG VALVE (GPV) |
| ⊘ | HORIZONTAL SWING CHECK |
| ⊘ | UNION |
| ⊘ | Y-STRAINER |
| ⊘ | REDUCER OR INCREASER |
| ⊘ | ECCENTRIC REDUCER |
| ⊘ | REDUCED PRESSURE BACKFLOW PREVENTER (RPZ) |
| ⊘ | PIPING DOWN |
| ⊘ | RISE OR DROP PIPING |
| ⊘ | PIPING UP -OR- PIPING UP & DOWN |
| ⊘ | CAP ON END OF PIPE |
| ⊘ | CLEANOUT (WALL OR CEILING) (CO) |
| ⊘ | FLOOR CLEANOUT (FCO) |
| ⊘ | EXTERIOR CLEANOUT WITH 18"x18"x4" CONCRETE PAD (ECO) |
| ⊘ | TWO-WAY CLEANOUT (PROVIDE 18"x24"x4" CONCRETE PAD OUTSIDE) |
| ⊘ | PRESSURE REDUCING VALVE (PRV) |
| ⊘ | BRANCH CONNECTION OUT OF TOP |
| ⊘ | BRANCH CONNECTION OUT OF BOTTOM |
| ⊘ | BRANCH CONNECTION OUT OF SIDE |
| ⊘ | WYE & 1/8TH BEND BRANCH CONNECTION |
| ⊘ | WYE BRANCH CONNECTION |
| ⊘ | HOSE BIBB |
| ⊘ | PRESSURE GAUGE WITH COCK |
| ⊘ | THERMOMETER |
| ⊘ | GAS PRESSURE REGULATOR |
| ⊘ | TEST COCK |
| ⊘ | GAS METER |
| ⊘ | WALL HYDRANT |
| ⊘ | VALVE IN RISE |
| ⊘ | ASME TEMPERATURE & PRESSURE RELIEF VALVE |
| ⊘ | VACUUM RELIEF VALVE |
| ⊘ | ANGLE VALVE |
| 1 | REFER TO KEYED NOTE |
| ⊘ | FLOOR SINK (FS) |
| ⊘ | FLOOR DRAIN (FD) |
| ⊘ | FLOOR DRAIN WITH P-TRAP (FD) |
| ⊘ | FLOOR DRAIN WITH P-TRAP AT 45° ANGLE (FD) |
| ⊘ | HUB DRAIN (HD) |
| ⊘ | ACCESS PANEL FOR TRAP PRIMER |
| ⊘ | ACCESS PANEL LOCATION SYMBOL |
| ⊘ | SHOCK ABSORBER WITH ACCESS PANEL |
| ⊘ | AIR CHAMBER |
| (E) | EXISTING |
| (N) | NEW |
| ⊘ | CONNECT NEW TO EXISTING |
| ⊘ | INVERT ELEVATION |
| 1/4" PER FOOT | QUARTER OF AN INCH SLOPE |
| 1/8" PER FOOT | 1/8TH OF AN INCH SLOPE |
| 1/16" PER FOOT | 1/16TH OF AN INCH SLOPE |
| Δ | DELTA CHANGE SYMBOL |
| ⊘ | RISER FLAG |

NOTE: NOT ALL SYMBOLS MAY APPLY TO THIS PROJECT.

PLUMBING SYMBOLS/ABBREVIATIONS

| | | | |
|-----|-----------------------|-----|--|
| ● | HOT WATER | FD | FLOOR DRAIN |
| ● | COLD WATER | FFD | FUNNEL FLOOR DRAIN |
| ● | DRAIN | FS | FLOOR SINK |
| ○ | CONNECTION | HD | HUB DRAIN |
| ⊘ | FLOOR DRAIN AS NOTED | SS | STEAM SUPPLY |
| ⊘ | FUNNEL DRAIN AS NOTED | SR | STEAM RETURN |
| ⊘ | FLOOR SINK FULL GRATE | EL | ELEVATION ABOVE FINISHED FLOOR |
| ⊘ | FLOOR SINK HALF GRATE | SU | STUB UP ABOVE FINISHED FLOOR |
| ⊘ | GAS CONNECTION | GPH | GALLONS PER HOUR |
| ⊘ | GAS SUPPLY | GPM | GALLONS PER MINUTE |
| ⊘ | PIPE ROUTING | PSI | POUNDS PER SQUARE INCH |
| HW | HOT WATER | BTU | BRANCH TO CONNECTION POINT AND CONNECT EQUIPMENT |
| CW | COLD WATER | DFA | DOWN FROM ABOVE |
| DR | DRAIN | | |
| AFF | ABOVE FINISHED FLOOR | | |
| BFF | BELOW FINISHED FLOOR | | |

PLUMBING NOTES

A PLUMBER TO CONNECT ALL WATER LINES, GAS LINES, WASTE LINES, ETC. TO FULLY CONNECT ALL EQUIPMENT AND RUN CONDENSATE LINES FROM UNITS TO DRAINS AND THESE LINES TO BE NO SMALLER THAN THE SUB-OUT OF THE FIXTURE. PLUMBER TO PROVIDE GATE VALVES ON ALL WATER AND GAS LINES; ALL VALVES, CUT-OFFS, TRAPS, HYDROSTATIC SHOCK ELIMINATORS, PRESSURE REGULATORS AND MATERIALS NECESSARY TO CONNECT ALL LINES, UNLESS OTHERWISE SPECIFIED IN THE ITEM SPECIFICATIONS. FAUCETS, DRAIN OUTLET FITTINGS IN FIXTURES AND SPECIALTY ITEMS ARE TO BE FURNISHED BY THE KITCHEN EQUIPMENT SUPPLIER AS OUTLINED IN THE ITEM SPECIFICATIONS. ALL WORK TO BE PERFORMED IN FULL ACCORDANCE WITH ALL APPLICABLE CODES RELATING TO INSTALLATION AND HOOKUP OF EQUIPMENT. OMISSIONS OR ERRORS ON THE SCHEDULE DO NOT RELIEVE THE PLUMBING CONTRACTOR FROM COMPLETE FINAL PLUMBING RESPONSIBILITY.

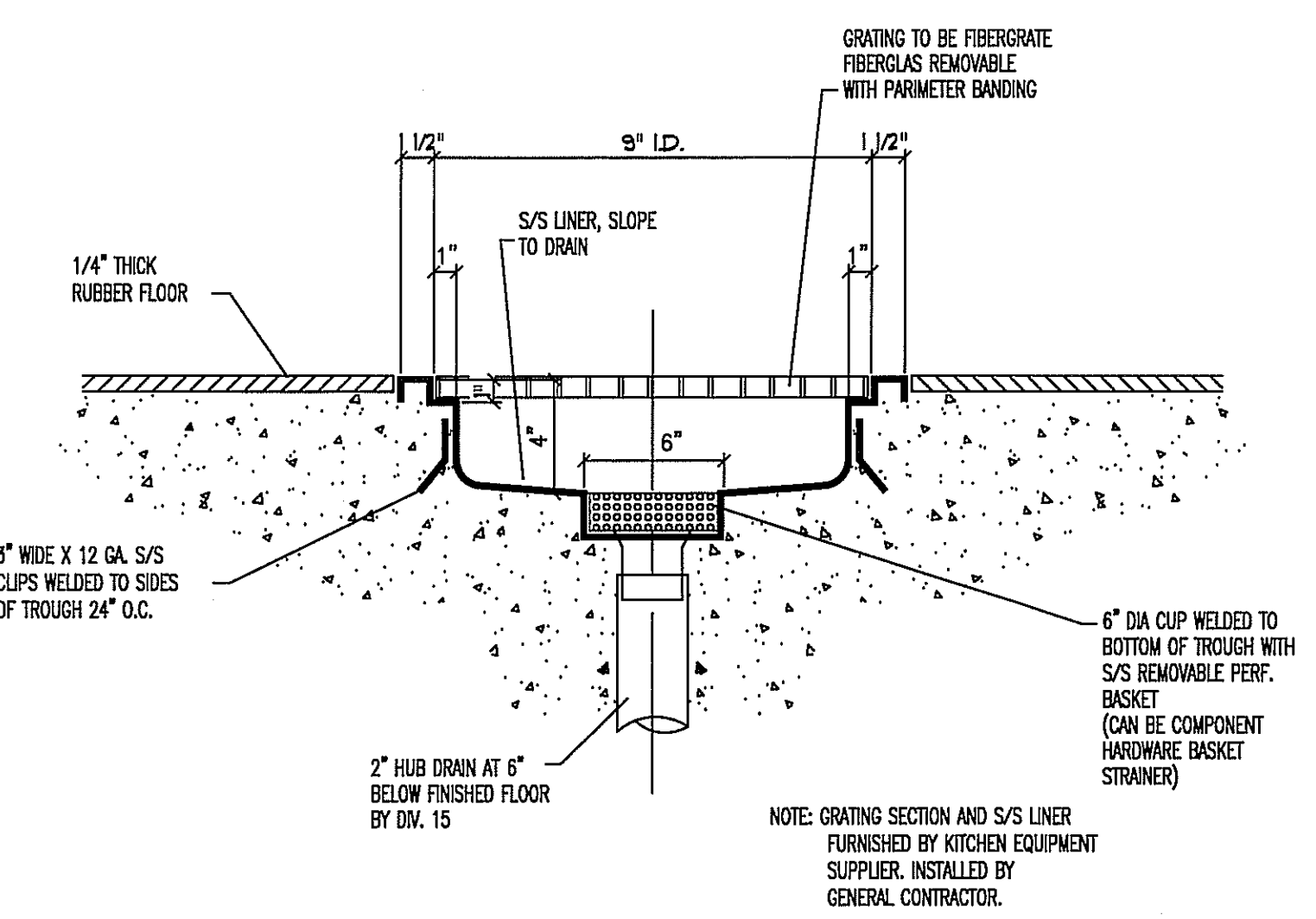
B ALL OUTLETS AND CONNECTIONS SHOWN RELATE TO KITCHEN EQUIPMENT ONLY. REFER TO ARCHITECTURAL/ENGINEERING PLANS FOR ADDITIONAL REQUIREMENTS.

C ALL DIMENSIONS GIVEN ARE FROM COLUMN CENTERLINES AND/OR FINISHED WALLS AND ARE IN INCHES TO 4'-0". ELEVATIONS GIVEN ARE FROM FINISHED FLOORS. ALL ROUGH-INS SHOWN ARE TO BE RUN INSIDE WALLS (EXCEPT STUB-UPS) LOCATIONS INDICATE POINT OF EXIT FROM WALLS, CEILING OR FLOORS.

D ALL FLOOR DRAINS TO SET 1/2" BELOW FINISHED FLOOR UNLESS OTHERWISE NOTED. DO NOT SLOPE FLOORS SO CLOSE TO DRAINS AS TO CREATE "MIS" OR "DIPS" IN FLOOR. MINIMUM RADIUS OF SLOPE TO BE 24" FROM CENTERLINE OF DRAIN.

PLUMBING SCHEDULE

| NO. | UTILITY | SIZE | HEIGHT A.F.F. | LOCATION | BTU/hr | REMARKS |
|------|--------------------|-------------|---------------|----------|-------------|---|
| FS | FLOOR SINK | 3" | FLUSH | FLOOR | | HALF-GRATE - TO RECEIVE INDIRECT WASTE FROM EQUIPMENT |
| FD | FLOOR DRAIN | 3" | -1/2" | FLOOR | | AREA FLOOR DRAIN - SEE DETAIL |
| FFD | FUNNEL FLOOR DRAIN | 3" | FLUSH | FLOOR | | TO RECEIVE INDIRECT WASTE FROM EQUIPMENT - 4" HIGH FUNNEL |
| HD | HUB DRAIN | 3" | 4" | FLOOR | | FOR INDIRECT WASTE FROM EQUIPMENT |
| 1 | HOT & COLD WATER | 1/2" | 4'-0" | WALL | | ETC ON MOP SINK FAUCET - VERIFY REQUIREMENTS |
| 1.1 | DRAIN | 2" | 1" | FLOOR | | ETC ON MOP SINK WASTE - VERIFY REQUIREMENTS |
| 4 | HOT & COLD WATER | 1/2" | 20" | WALL | | ETC ON HAND SINK FAUCET |
| | DRAIN | 1 1/2" | 16" | WALL | | ETC ON HAND SINK WASTE |
| 7 | HOT & COLD WATER | 1/2" | 12" | WALL | | ETC ON SINK FAUCET |
| 9 | COLD WATER | 3/4" | 12" | WALL | | ETC ON DISPOSER |
| 9.1 | DRAIN | 3" | 16" | WALL | | ETC ON DISPOSER |
| 10 | HOT WATER (140° F) | 3/4" | 5'-0" | WALL | | ETC ON DISHWASHER |
| 14 | COLD WATER | 1/2" | 6'-0" | WALL | | ETC ON ICE MACHINE; INTERCONNECT THRU FILTER |
| 15 | DRAIN | 2" | -6" | FLOOR | | ETC ON FLOOR TROUGH WASTE - SEE DETAIL |
| 16 | HOT & COLD WATER | 1/2" | 12" | WALL | | ETC ON SINK FAUCET |
| 21 | COLD WATER | 1/2" | 12" | WALL | | FOR FILL FAUCET |
| 26 | NATURAL GAS | 3/4" | 36" | WALL | 224,000 | ETC ON EIGHT (8) BURNER RANGE |
| 28 | NATURAL GAS | 3/4" | 36" | WALL | 80,000 | ETC ON PASTA COOKER |
| 28.1 | COLD WATER | 1/2" | 12" | WALL | | ETC ON PASTA COOKER FAUCET |
| 30 | NATURAL GAS | 3/4" | 36" | WALL | 60,000 | ETC ON GRIDDLE |
| 33 | NATURAL GAS | 3/4" | 36" | WALL | 35,000 | ETC ON SALAMANDER |
| 34 | NATURAL GAS | 3/4" | 36" | WALL | 35,000 | ETC ON SALAMANDER |
| 35 | NATURAL GAS | 3/4" | 36" | WALL | 80,000 | ETC ON CHARBROILER |
| 36 | NATURAL GAS | 3/4" | 36" | WALL | 105,000 | ETC ON FRYER |
| 39 | NATURAL GAS | 3/4" | 36" | WALL | 180,000 | ETC ON FOUR (4) BURNER RANGE |
| 40 | NATURAL GAS | TWO(2) 3/4" | 36" | WALL | 55,000 EACH | ETC ON CONNECTION OVEN |
| 41 | COLD WATER | 1/2" | 12" | WALL | | ETC ON KETTLE FAUCET |
| 42 | DRAIN | 2" | -6" | FLOOR | | ETC ON FLOOR TROUGH WASTE - SEE DETAIL |
| 44 | HOT & COLD WATER | 1/2" | 12" | WALL | | ETC ON SINK FAUCET |
| 47 | HOT & COLD WATER | 1/2" | 12" | WALL | | ETC ON SINK FAUCET |
| 54 | HOT & COLD WATER | 1/2" | 12" | WALL | | ETC ON SINK FAUCET |
| 61 | COLD WATER | 1/2" | 48" | WALL | | ETC ON COFFEE BREWER |
| 62 | COLD WATER | 1/2" | 48" | WALL | | ETC ON TEA BREWER |
| 66 | HOT & COLD WATER | 1/2" | 8" | WALL | | ETC ON SINK FAUCET |
| 67 | HOT & COLD WATER | 1/2" | 20" | WALL | | ETC ON HAND SINK FAUCET |
| | DRAIN | 1 1/2" | 16" | WALL | | ETC ON HAND SINK WASTE |
| 69 | HOT & COLD WATER | 1/2" | 8" | WALL | | ETC ON SINK FAUCET |
| 70 | HOT WATER (140° F) | 3/4" | 12" | WALL | | ETC ON DISHWASHER |
| 74 | HOT & COLD WATER | 1/2" | 8" | WALL | | ETC ON SINK FAUCET |
| 78 | NATURAL GAS | 3/4" | 16" | WALL | 81,000 | ETC ON PIZZA OVEN |



1 TYPICAL FLOOR TROUGH DETAIL
FS-2.0 NO SCALE



9575 Katy Fwy., #200
Houston, Texas 77024
tel: 713.722.7071
fax: 713.722.7072

CONSULTANTS
HOLSTE & ASSOCIATES
MEP Engineers

PROJECT NAME

GUADALUPANA RESTAURANT



PROJECT ADDRESS

20 WATERWAY
THE WOODLANDS, TEXAS

PROJECT NUMBER

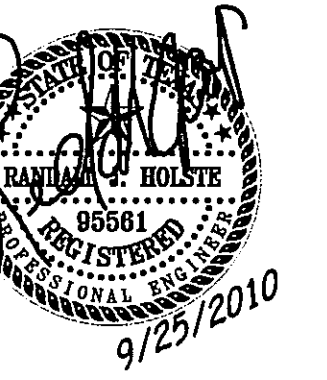
SHEET NAME

PLUMBING SCHEDULES

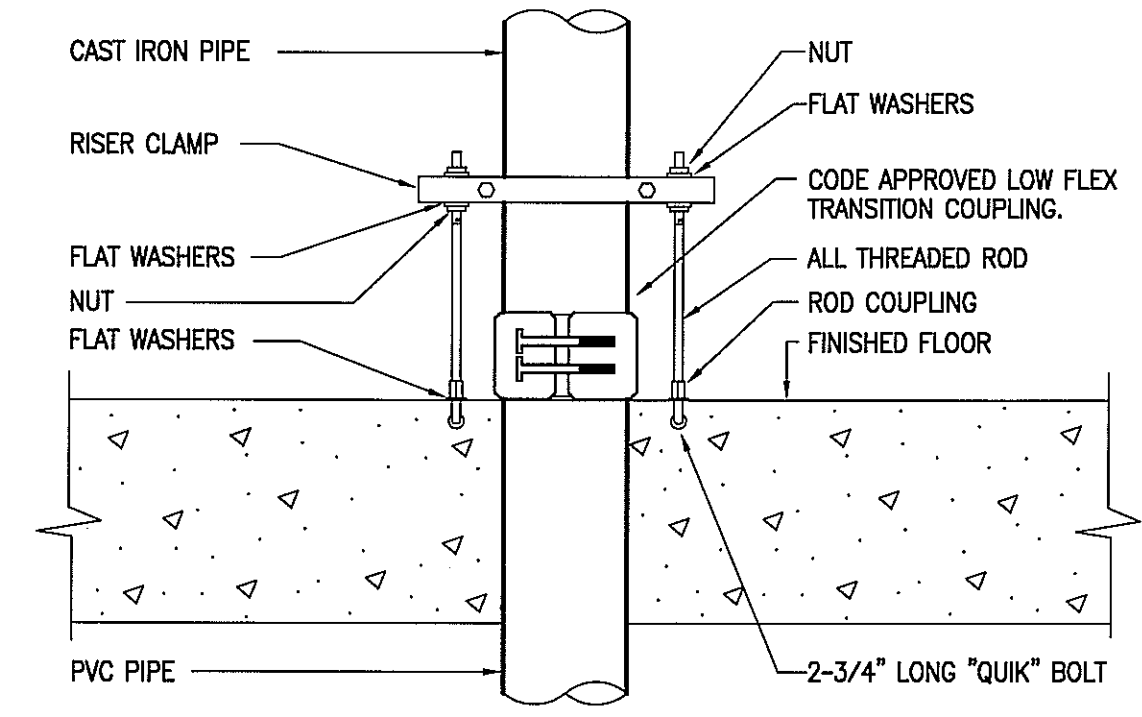
SHEET NUMBER

Holste & Associates, Inc.
Consulting Engineers - Texas Reg. F-5443
6671 Southwest Fwy., Suite 850
Houston, Texas 77074 (713) 995-1351
www.holsteinc.com

P2.00

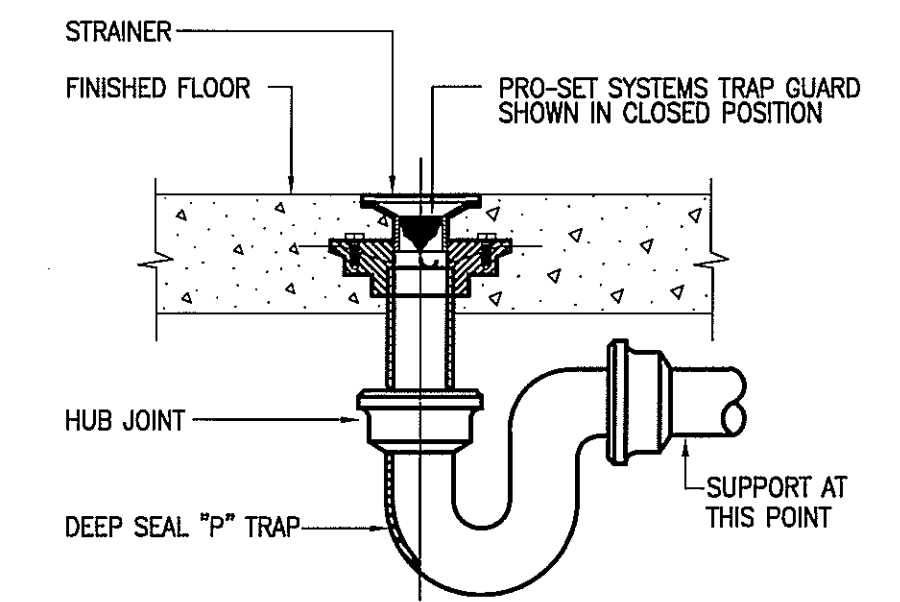


ISSUE
09-10-10 ISSUED FOR PERMIT



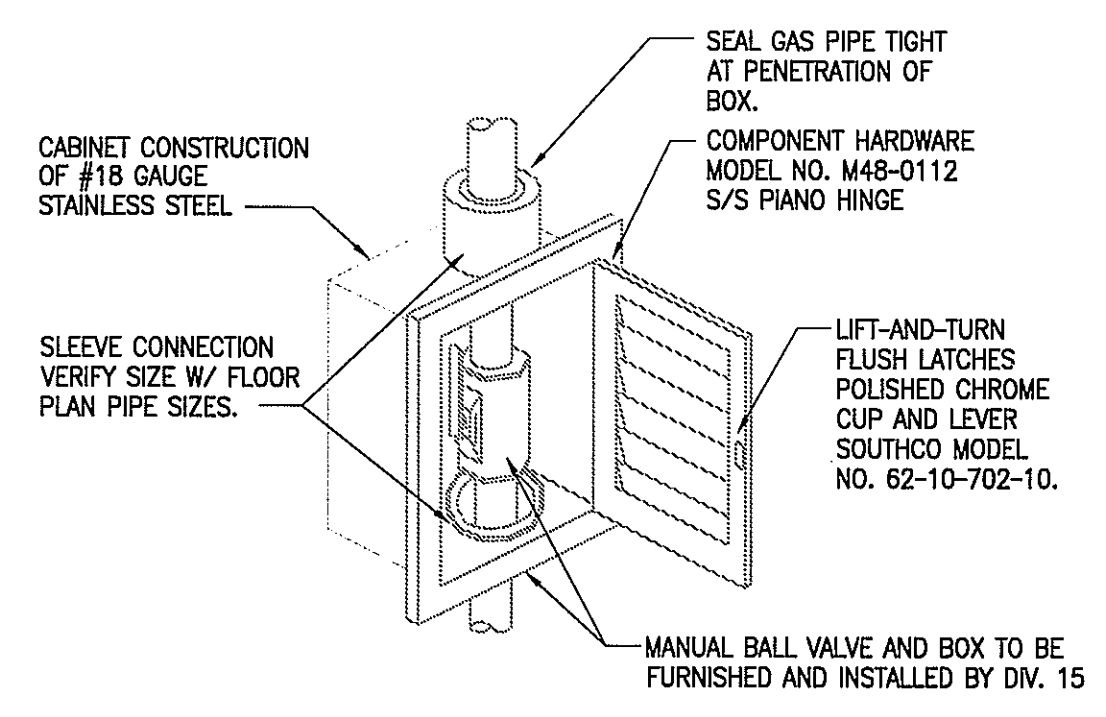
7 CAST IRON TO PVC PIPE TRANSITION
SCALE: NONE

NOTE: THERE IS TO BE NO EXPOSED PVC ABOVE SLAB.



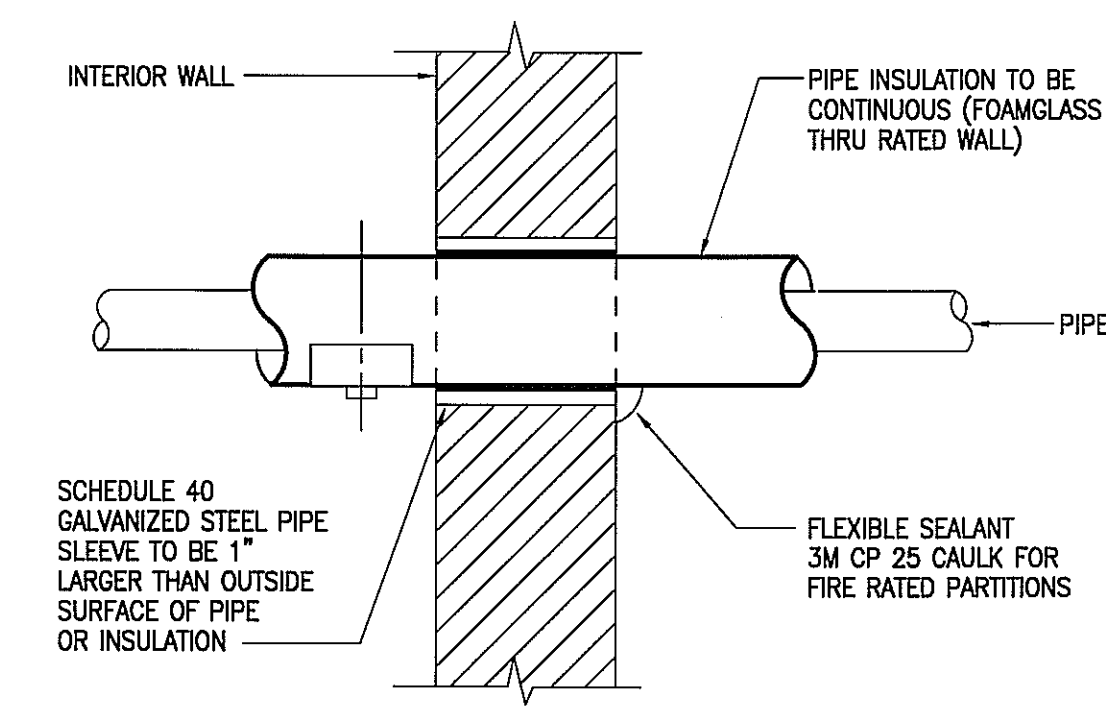
3 FLOOR DRAIN WITH TRAP SEAL PROTECTION
SCALE: NONE

NOTES:
1. TRAP GUARD SHALL BE FACTORY FITTED TO MATCH EACH FLOOR DRAIN (AND FLOOR SINK) BY SIZE, MODEL, AND MANUFACTURER.
2. FLOOR SINK/HUB DRAIN TRAP GUARD INSTALLATION IS SIMILAR.
3. INSTALLATION OF TRAP GUARD TO BE IN ACCORDANCE WITH MANUFACTURER'S RECOMMENDATIONS.
4. INSERT TRAP GUARD ONLY AFTER FINAL RODDING OF DRAINS. INSTALL TRAP GUARD WITH CLEAR SILICONE CAULK FOR GAS TITE SEAL. FOR DRAIN RODDING AFTER INSTALLATION, INSERT SEWER TAPE THROUGH LIGHTLY GREASED 1-1/2" PVC PIPE TO PROTECT TRAP GUARD.

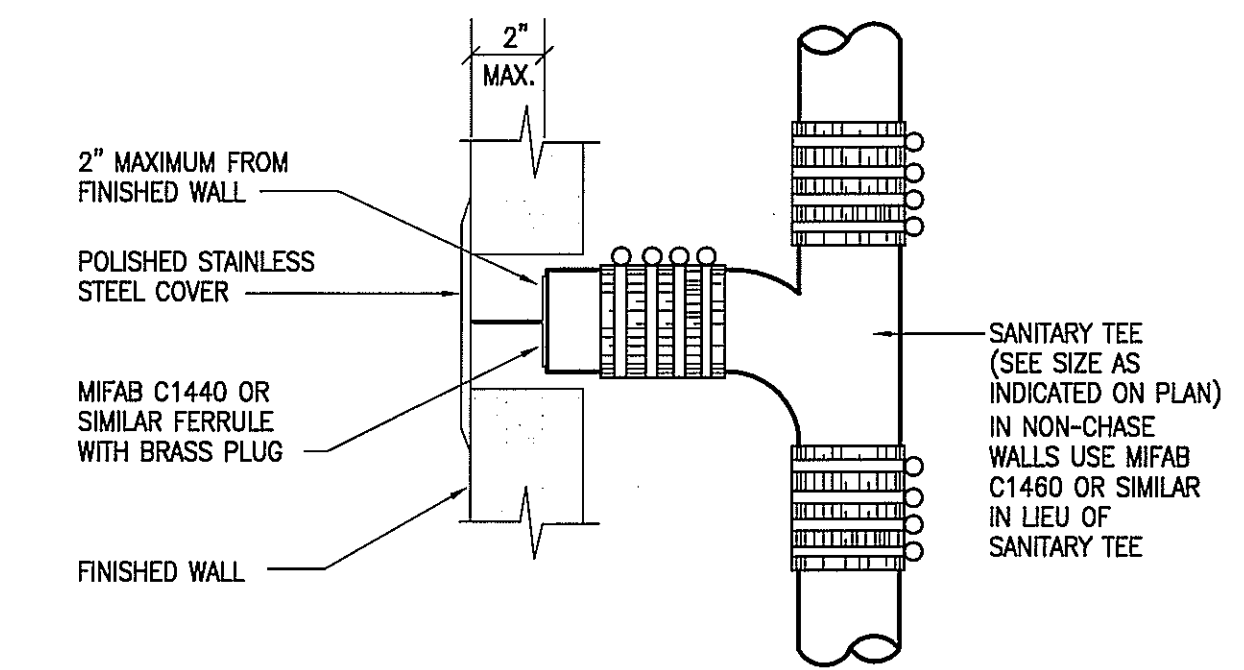


9 KITCHEN MANUAL VALVE BOX
SCALE: NONE

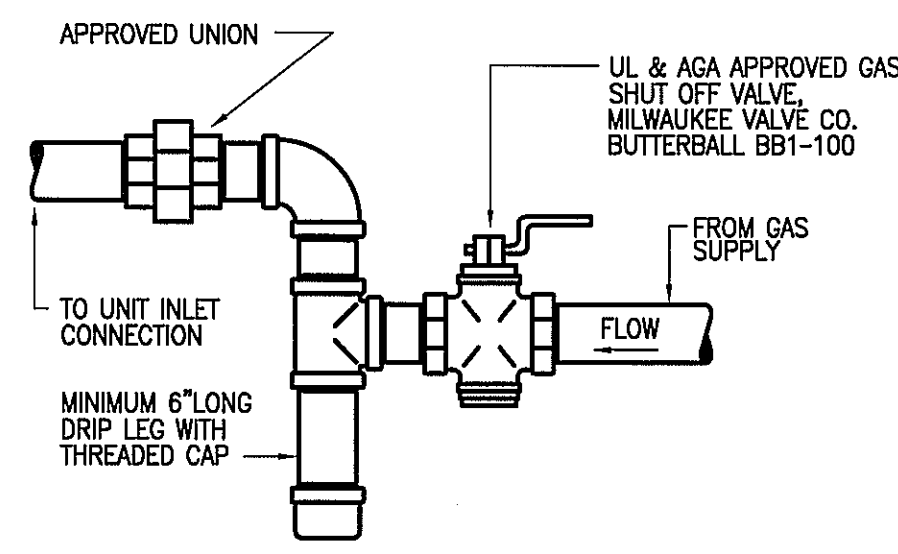
NOTE: INSTALL MANUAL VALVE IN BOX UPSTREAM OF ANSUL VALVE.



6 INTERIOR WALL PENETRATION
SCALE: NONE

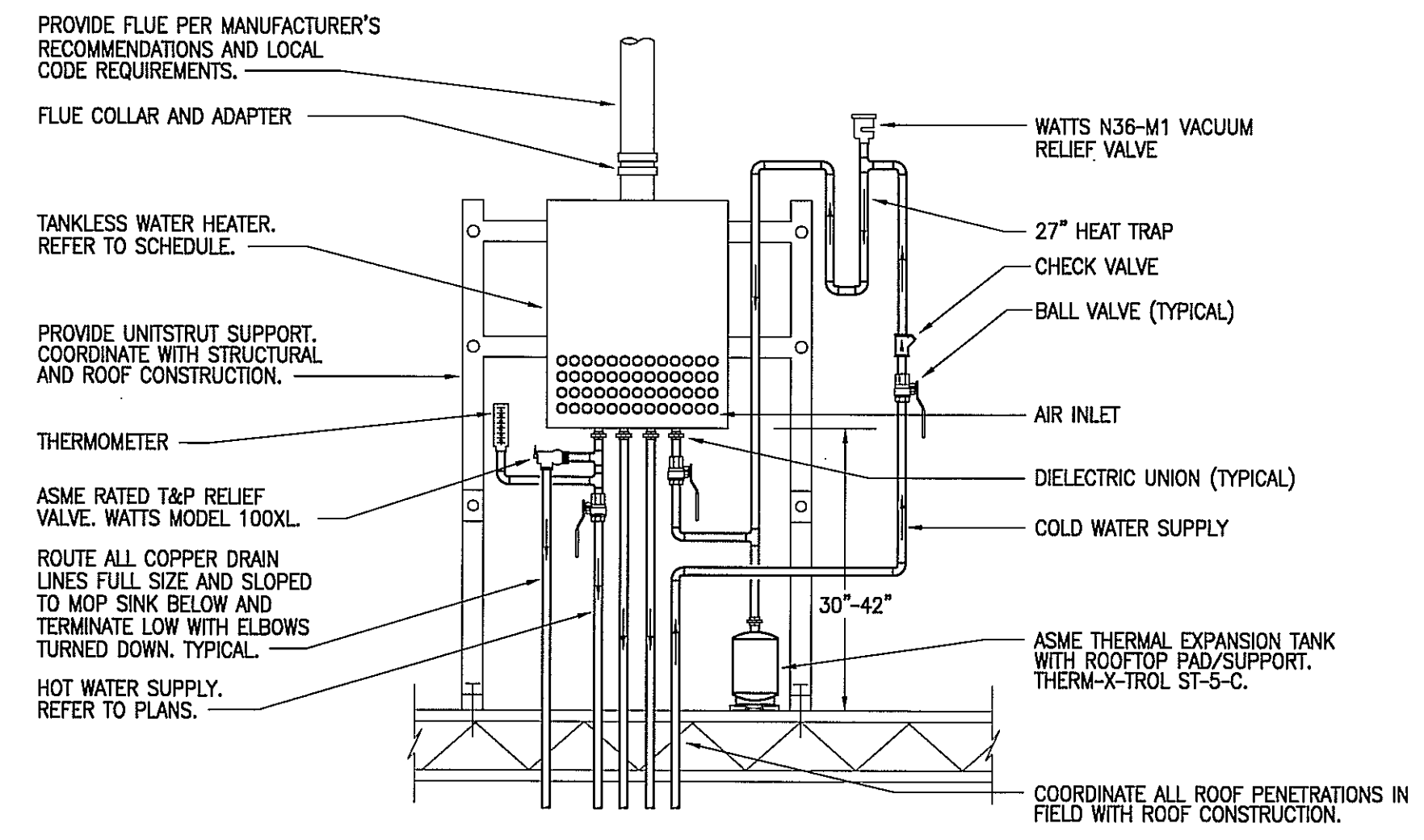


2 WALL CLEANOUT
SCALE: NONE



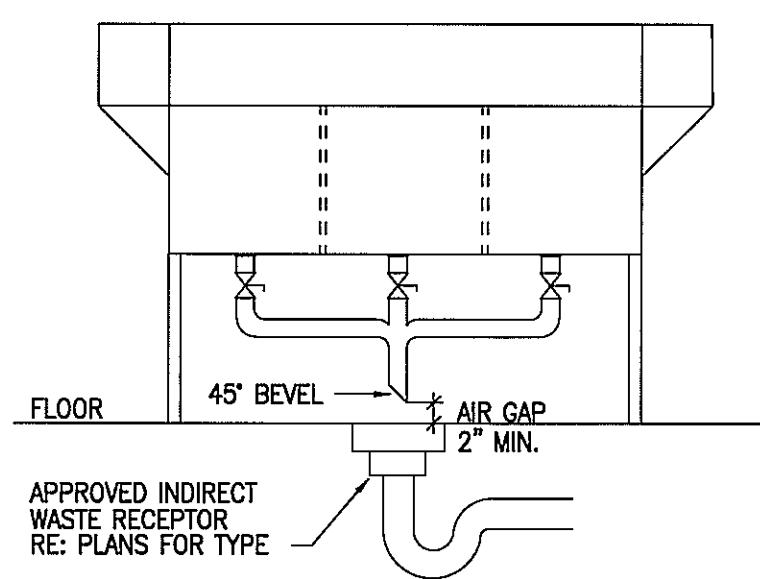
5 GAS CONNECTION TO EQUIPMENT
SCALE: NONE

| MINIMUM DIMENSIONS OF GALVANIZED SHEETMETAL PROTECTION SHIELDS AT PIPE HANGERS | | |
|--|--------------------------|-----------------|
| NOMINAL SIZE PIPE | SHIELD LENGTH MIN. (IN.) | GAUGE THICKNESS |
| 1/2" & 3/4" | 12 | 18 |
| 1" - 2-1/2" | 12 | 18 |
| 3" - 4" | 12 | 18 |
| 6" | 12 | 16 |



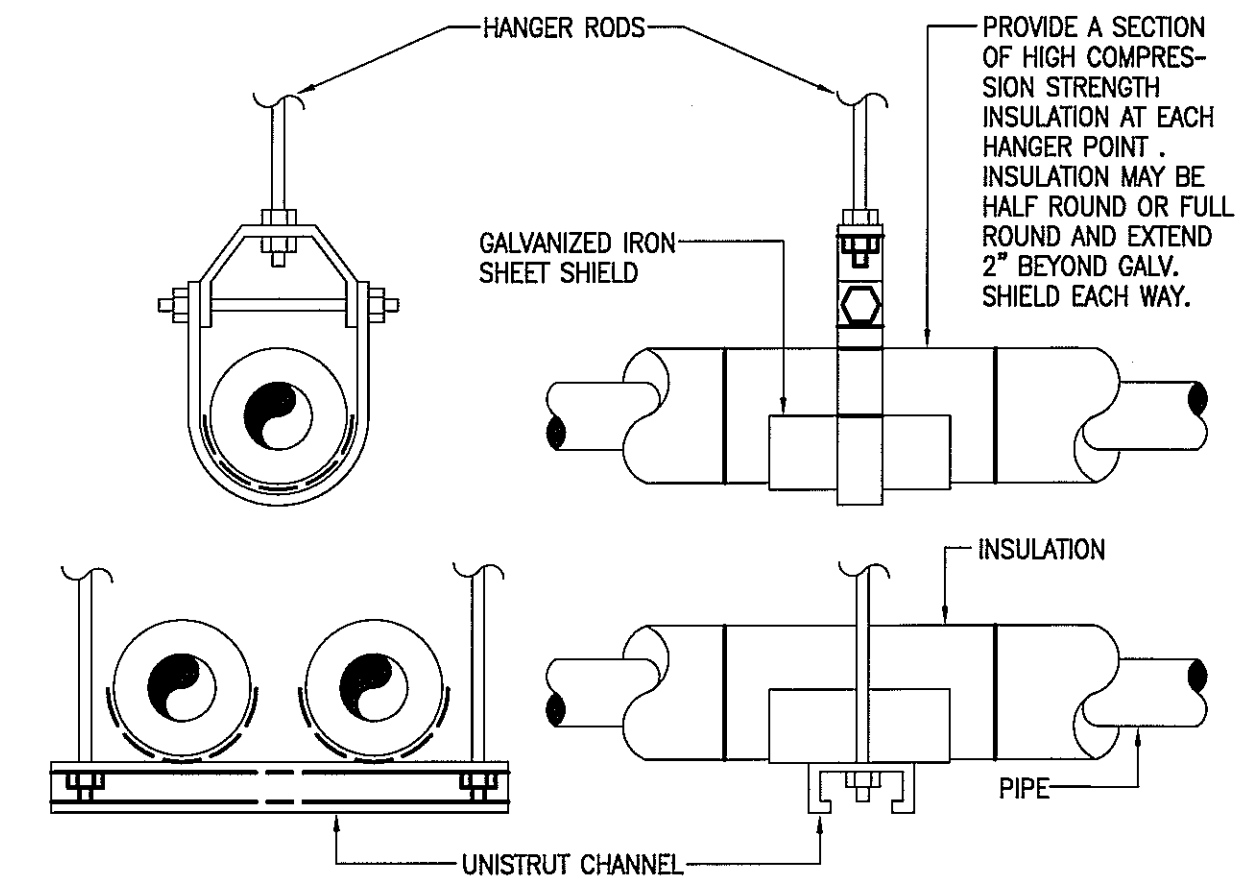
NOTES:
1. PROVIDE UNIT IN READILY ACCESSIBLE LOCATION, IN COMPLIANCE WITH LOCAL CODES, COORDINATE FINAL LOCATION AND INSTALLATION WITH ARCHITECT AND/OR OWNER.
2. PROVIDE 1" PIPE INSULATION HAVING A CONDUCTIVITY NOT EXCEEDING 0.28 BTU PER INCH/HR x S.F. x F ON ALL DOMESTIC WATER PIPING. PROVIDE JACKETING FOR ALL EXPOSED PIPING.

8 WATER HEATER TYPICAL WATER PIPING
SCALE: NONE



4 THREE COMPARTMENT SINK
SCALE: NONE

NOTE: INDIRECT WASTE PIPING FOR OTHER SINKS/EQUIPMENT IS SIMILAR.



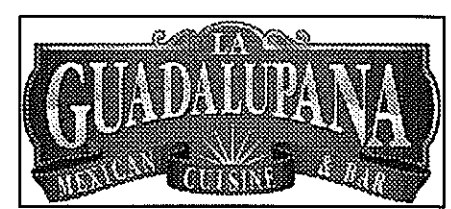
1 HANGER FOR WATER PIPING
SCALE: NONE

HARRELL
ARCHITECTS, LP

9575 Katy Frwy., #200
Houston, Texas 77024
tel: 713.722.7071
fax: 713.722.7072

CONSULTANTS
HOLSTE & ASSOCIATES
MEP Engineers

PROJECT NAME
GUADALUPANA RESTAURANT



PROJECT ADDRESS
20 WATERWAY
THE WOODLANDS, TEXAS

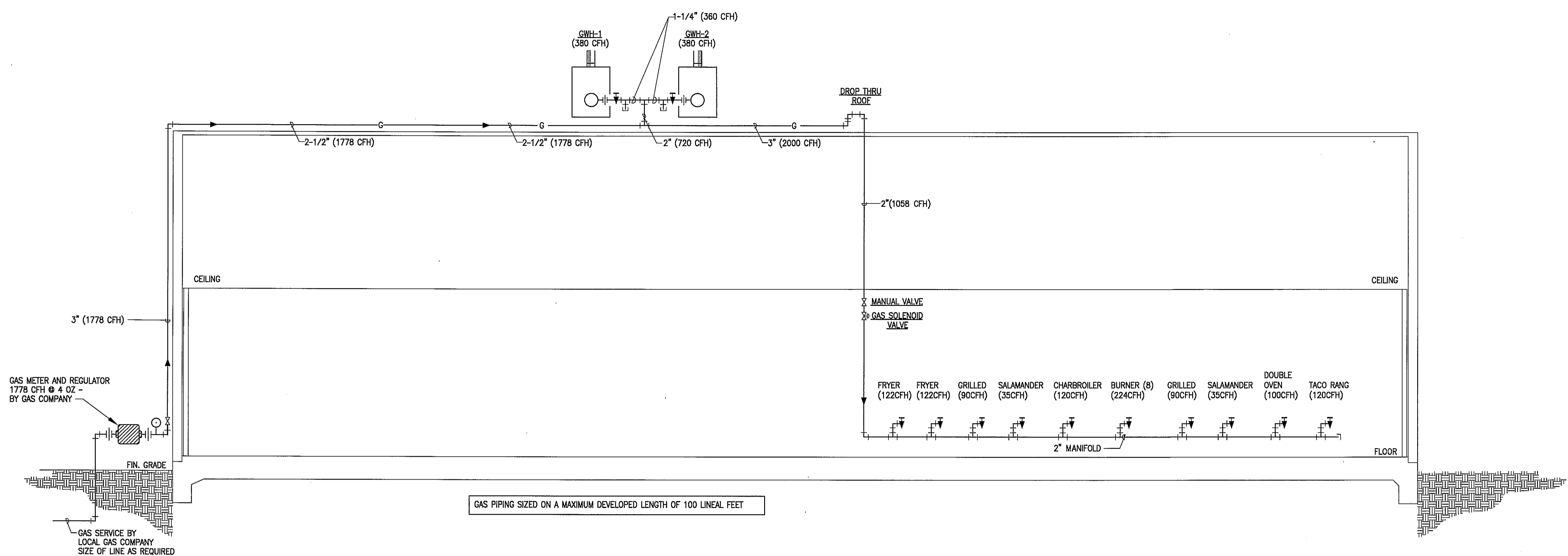
PROJECT NUMBER
SHEET NAME
PLUMBING DETAILS
SHEET NUMBER

Holste & Associates, Inc.
Consulting Engineers - Texas Reg. E-5443
6671 Southwest Frwy., Suite 850
Houston, Texas 77074 (713) 995-1351
www.holsteinc.com

P3.00

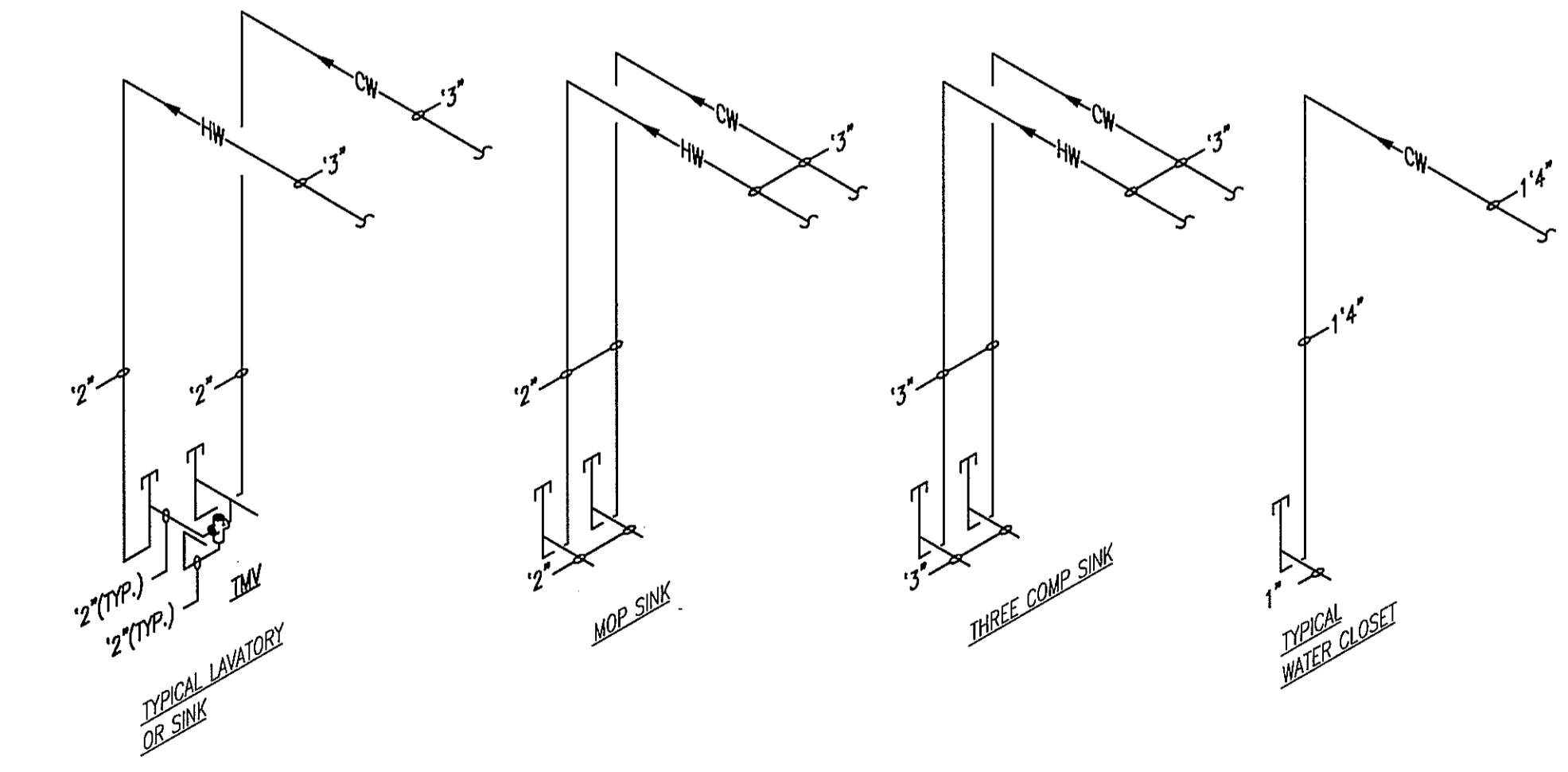


ISSUE
08-10-10 ISSUED FOR PERMIT

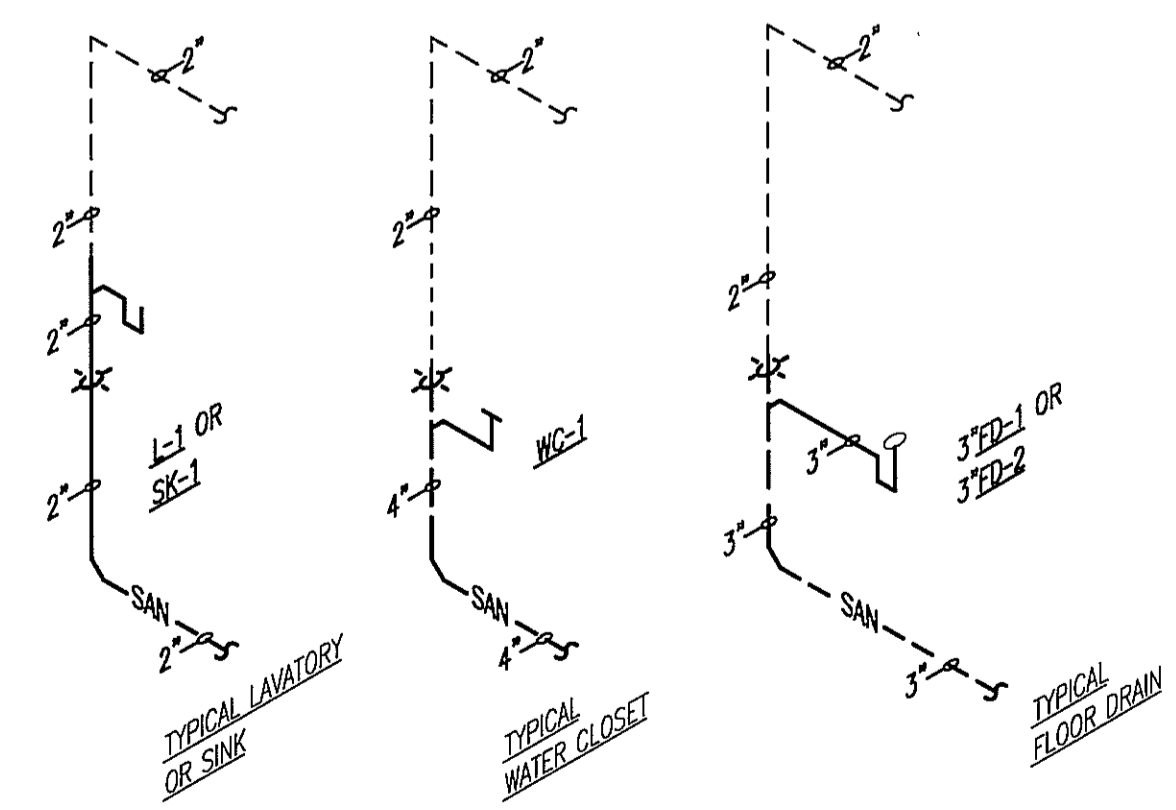


GAS PIPING SIZED ON A MAXIMUM DEVELOPED LENGTH OF 100 LINEAL FEET

1 NATURAL GAS RISER
SCALE: NONE



2 TYPICAL DOMESTIC WATER RISERS
SCALE: NONE



3 TYPICAL WASTE AND VENT RISERS
SCALE: NONE

PLUMBING GENERAL NOTES

- REFER TO CIVIL DRAWINGS FOR CONTINUATION OF DOMESTIC WATER AND SANITARY WASTE UTILITIES.
- REFER TO CIVIL DRAWINGS FOR SIZE AND LOCATION OF DOMESTIC WATER METER ON SITE.
- REFER TO ARCHITECTURAL/CIVIL DRAWINGS FOR BUILDING FINISHED FLOOR ELEVATION.
- FIELD VERIFY EXACT LOCATION, SIZE, DEPTH, DIRECTION OF FLOW, CAPACITY, PIPE MATERIAL AND CONDITION OF EXISTING SITE DOMESTIC WATER AND SANITARY WASTE PIPING PRIOR TO BEGINNING CONSTRUCTION TO ENSURE THAT PROPER CONNECTIONS TO AND EXTENSION OF SUCH UTILITIES CAN BE MADE.
- INVERT ELEVATIONS LISTED ARE APPROXIMATE. PRIOR TO CONSTRUCTION, COORDINATE FINAL INVERT ELEVATIONS OF BUILDING SANITARY OUTFALLS AND SITE PIPING WITH SITE UTILITY CONTRACTOR. MAKE ADJUSTMENTS AS REQUIRED TO ENSURE PROPER CONNECTIONS TO SITE UTILITIES.
- PRIOR TO BEGINNING CONSTRUCTION, COORDINATE PLUMBING BACKFLOW PREVENTION REQUIREMENTS WITH THE LOCAL CODE AUTHORITY AND PROVIDE AS DIRECTED.
- CONTRACTOR SHALL COORDINATE ROUTING OF PIPING BELOW SLAB WITH COLUMN FOOTINGS, GRADE BEAMS, UNDERGROUND PLUMBING AND ELECTRICAL UTILITIES, AND OTHER SUB-SURFACE BUILDING ELEMENTS.
- CONTRACTOR SHALL COORDINATE ROUTING OF PIPING IN CEILING SPACES WITH MECHANICAL AND ELECTRICAL EQUIPMENT, DUCTWORK AND CONDUIT. SHOULD A CONFLICT OCCUR THE CONTRACTOR SHALL NOTIFY THE ARCHITECT/ENGINEER PRIOR TO INSTALLING AN ALTERNATE PIPING PLAN.
- MAINTAIN MINIMUM 10'-0" DISTANCE BETWEEN VENT TERMINALS THROUGH ROOF AND ALL FRESH AIR INTAKES.
- COORDINATE ALL FIXTURE AND EQUIPMENT LOCATIONS AND CONNECTION REQUIREMENTS WITH LATEST ARCHITECTURAL DRAWINGS, SPECIFICATIONS, AND MANUFACTURER RECOMMENDATIONS PRIOR TO ANY ROUGH-INS.
- DO NOT ROUGH-IN FROM THESE DRAWINGS. REFER TO LATEST ARCHITECTURAL DRAWINGS FOR DIMENSIONED LOCATIONS.
- CONTRACTOR TO COORDINATE ALL WORK WITH THE WORK OF OTHER TRADES TO AVOID CONFLICTS AND TO MINIMIZE INTERRUPTION OF SERVICES.
- ALL WORK, METHODS AND INSTALLATIONS INVOLVED IN THE PLUMBING DESIGN SHALL BE IN ACCORDANCE WITH THE CITY BUILDING CODE AND INSPECTION REGULATIONS AND ALL OTHER OFFICIALS HAVING JURISDICTION.
- UPON COMPLETION OF WORK, THOROUGHLY ROD OUT AND FLUSH ALL SANITARY PIPING TO ENSURE IT IS FREE FROM BLOCKAGES.



9575 Katy Fwy., #200
Houston, Texas 77024
tel: 713.722.7071
fax: 713.722.7072

CONSULTANTS
HOLSTE & ASSOCIATES
MEP Engineers

PROJECT NAME

GUADALUPANA RESTAURANT



PROJECT ADDRESS

20 WATERWAY
THE WOODLANDS, TEXAS

PROJECT NUMBER

SHEET NAME

PLUMBING GAS RISER & DETAILS

SHEET NUMBER

Holste & Associates, Inc.
Consulting Engineers - Texas Reg. E-5443
6671 Southwest Fwy., Suite 850
Houston, Texas 77074 (713) 995-1351
www.holsteinc.com

P4.00

