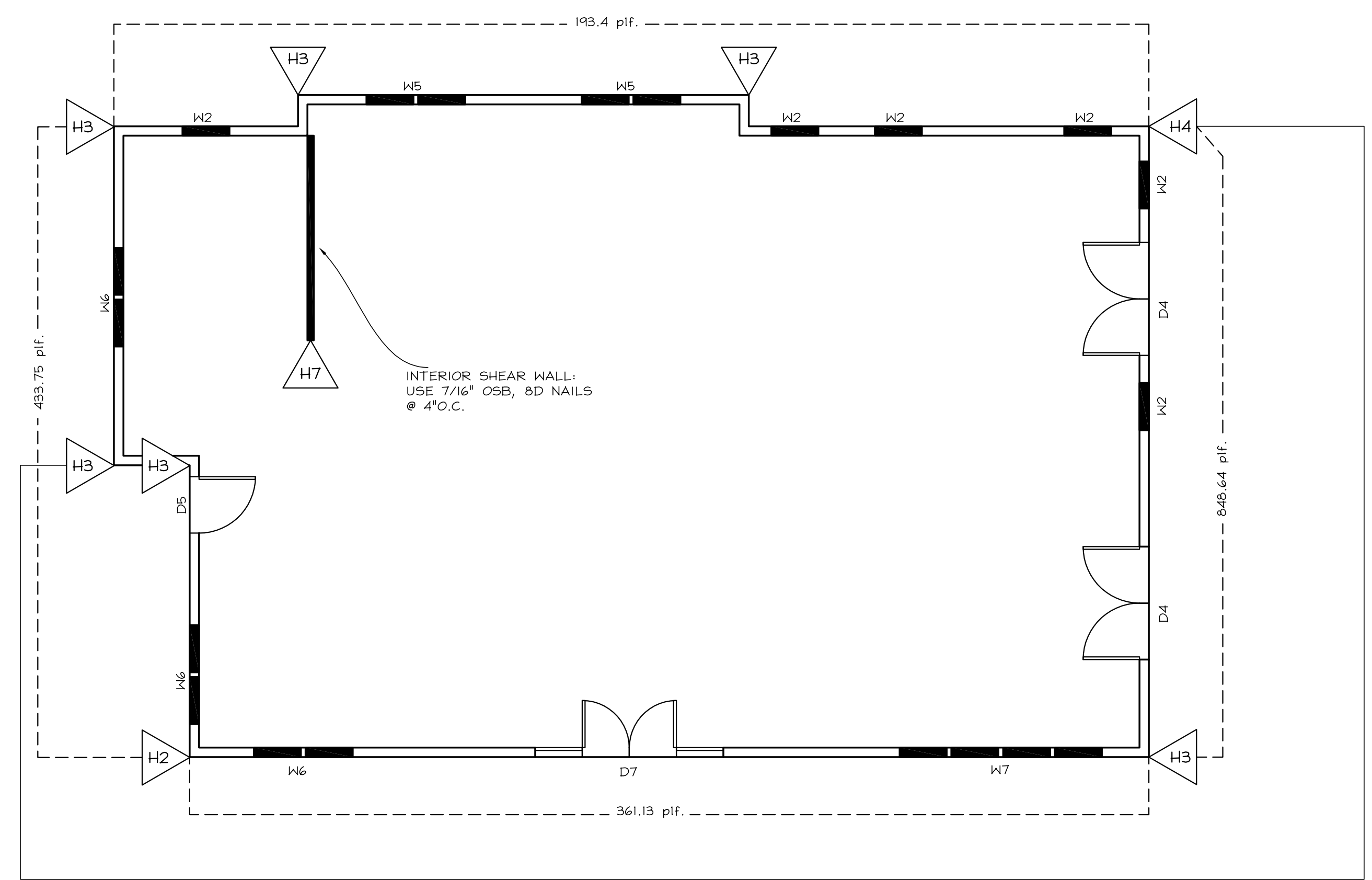
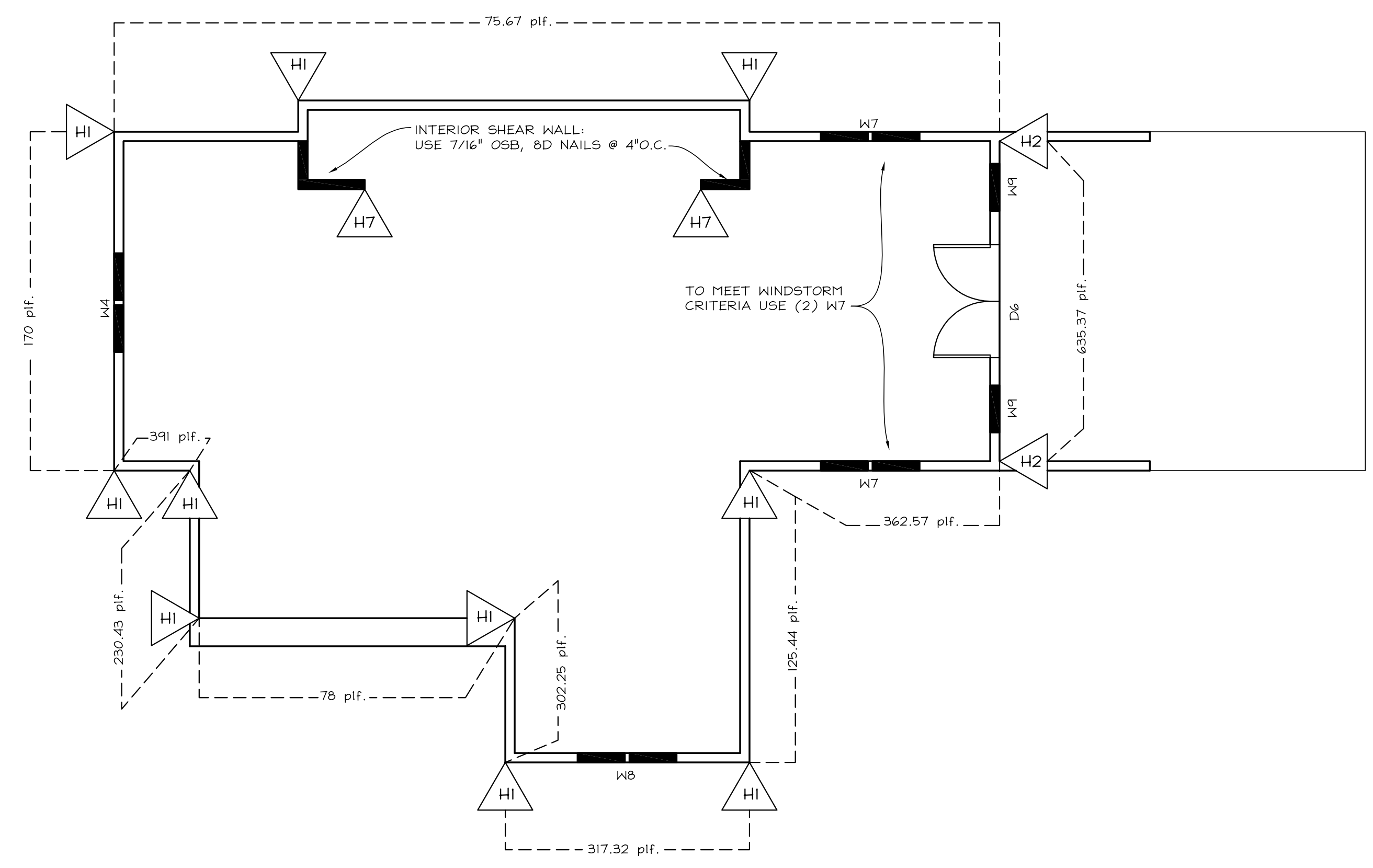


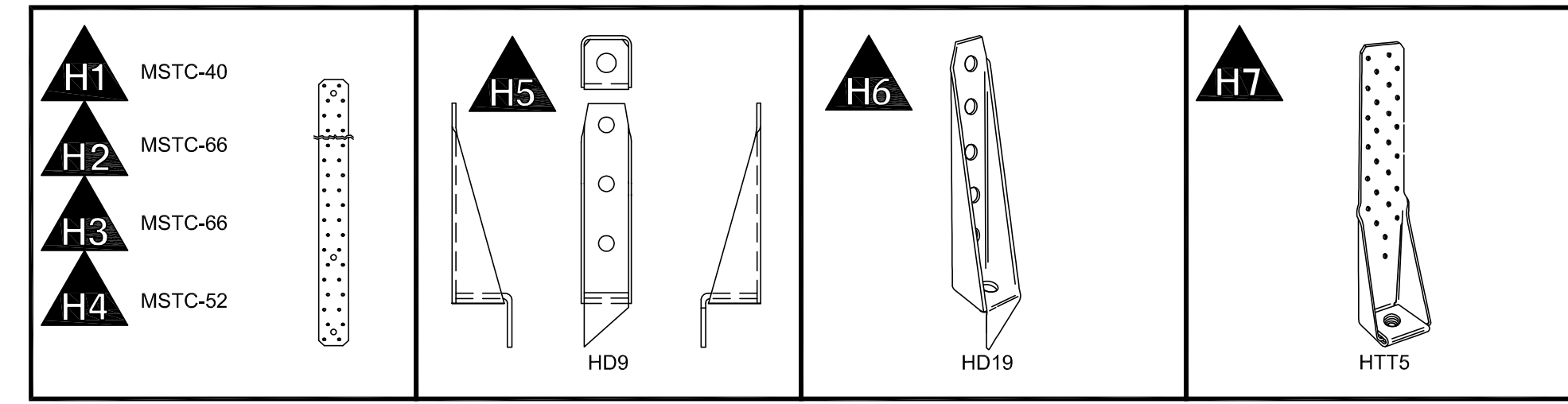
GROUND FLOOR PLAN
SCALE: 3/16"=1'-0"



MAIN FLOOR PLAN
SCALE: 3/16"=1'-0"



TOWER FLOOR PLAN
SCALE: 3/16"=1'-0"



- GENERAL NOTES:**
1. RAFTERS ARE ASSUMED TO BE IN LINE WITH STUDS.
 2. TYPICAL WALL SHEATHING: SINGLE SHEET 7/16" OSB, 8D NAILS @ 4" O.C.
 3. TDI APPROVED IMPACT RESISTANT OPENINGS ARE RECOMMENDED
 4. FOR HIPS AND VALLEYS USE L590 (FOR 2x8 OR MORE) OR L550 (FOR 2x6)

WINDSTORM NOTES	
THIS IS DESIGNED TO MEET 130 MPH	
HOLD-DOWNS	
H1	MSTC-40: 36-16D SINKERS
H2	MSTC-66: 64-16D SINKERS
H3	(2) MSTC-66: 64-16D SINKERS, USE 2 STUDS
H4	(3) MSTC-52: 48-16D SINKERS, USE 3 STUDS
H5	HD9B; (ANCHOR DIA. 7/8", STUD BOLTS: 3-7/8; 4 1/2" MIN. WOOD MEMBER THICKNESS)
H6	HD19; (ANCHOR DIA. 1 1/4", 1; STUD BOLTS: 5-1; 7 1/4" MIN. WOOD MEMBER THICKNESS)
H7	HTT5: 26-10D

SPANS FOR SOUTHERN PINE (#2)	
CEILING JOIST @ 16" O.C.	
SIZE	SPAN
2X4	8'-11"
2X6	13'-6"
2X8	17'-5"
2X10	20'-9"
RAFTERS @ 16" O.C.	
SIZE	SPAN
2X6	13'-0"
2X8	16'-10"
2X10	20'-1"

MINIMUM OPENING DISTANCES FROM BUILDING CORNERS	
CEILING HEIGHT	DISTANCE
8'-0"	2'-4"
9'-0"	2'-7"
10'-0"	2'-10"

WINDSTORM COMPLIANT PLAN

SHEET NO.

S2.3

LYNN & ASSOCIATES, LLC
CONSULTING AND ENGINEERING

PH: (979) 245-8900
FAX: (979) 245-5345

16 APRIL 13

The Gruene House
Cinnamon Shore
175 Seaside Dr.
Port Aransas, TX 78373

1201 6TH STREET
BAY CITY, TEXAS 77414

FIRM NO. F-11605

ESIGN

117203 (12/31/2012)
317.202.1201
www.lbramdesig.com