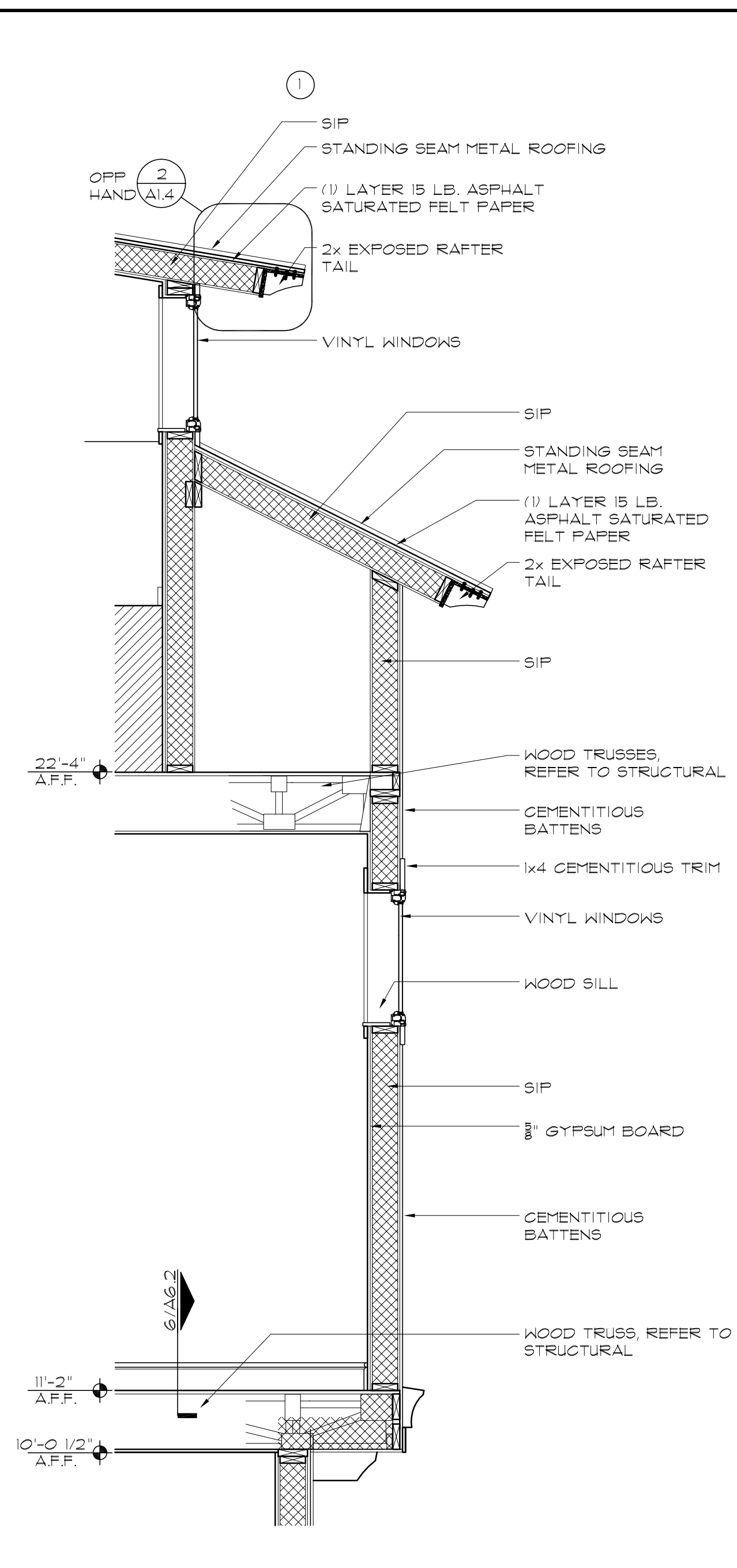


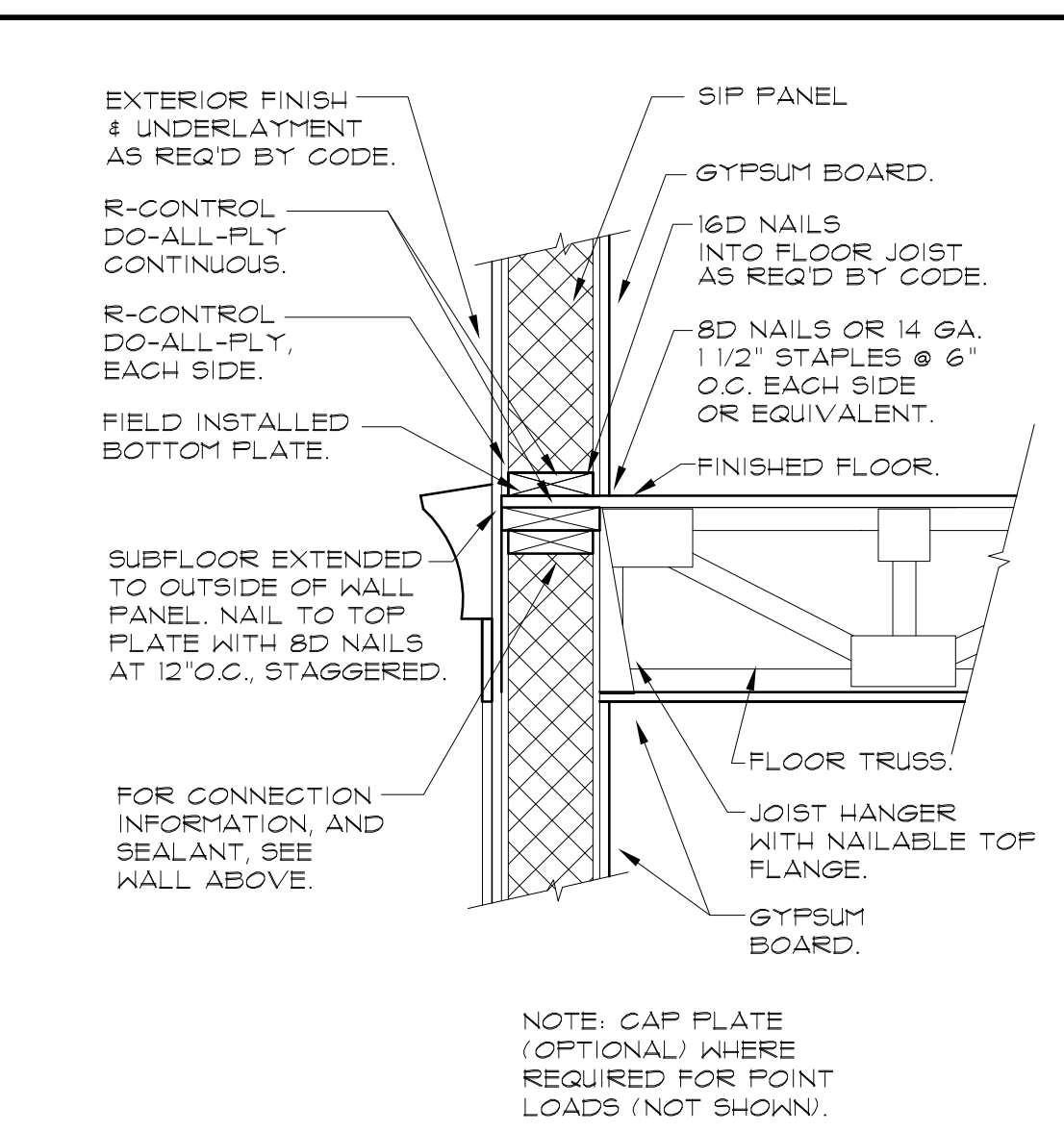
10-WALL SECTION

SCALE: 1/2"=1'-0"



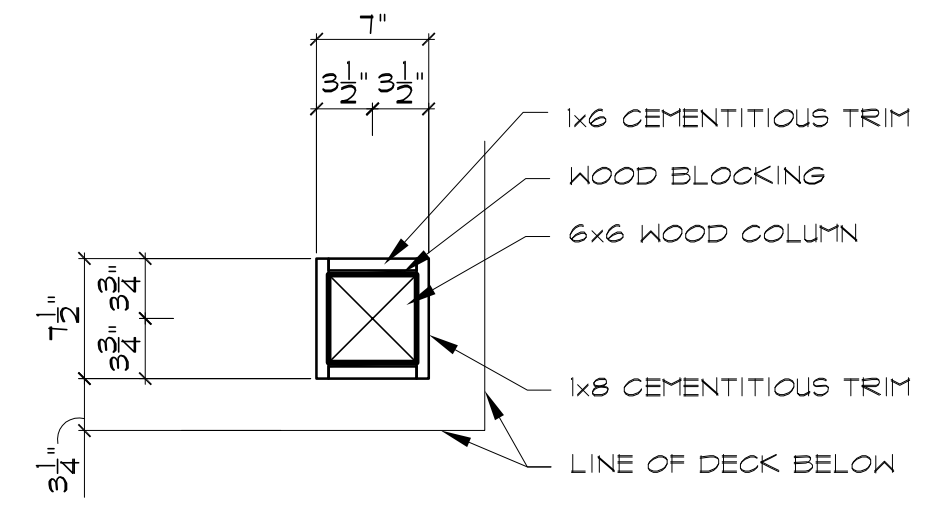
9-WALL SECTION

SCALE: 1/2"=1'-0"



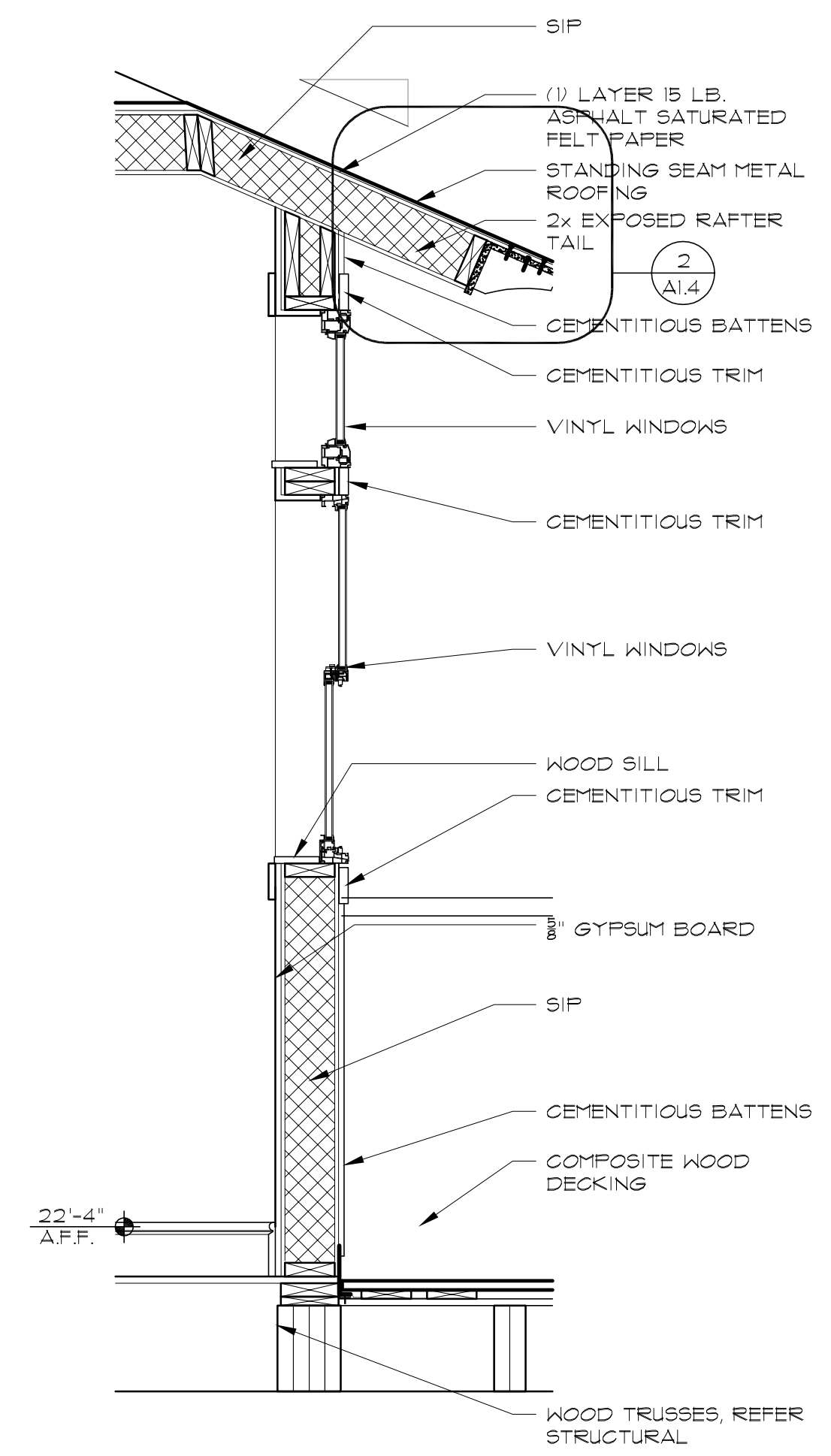
3-WALL SECTION

SCALE: 1"=1'-0"



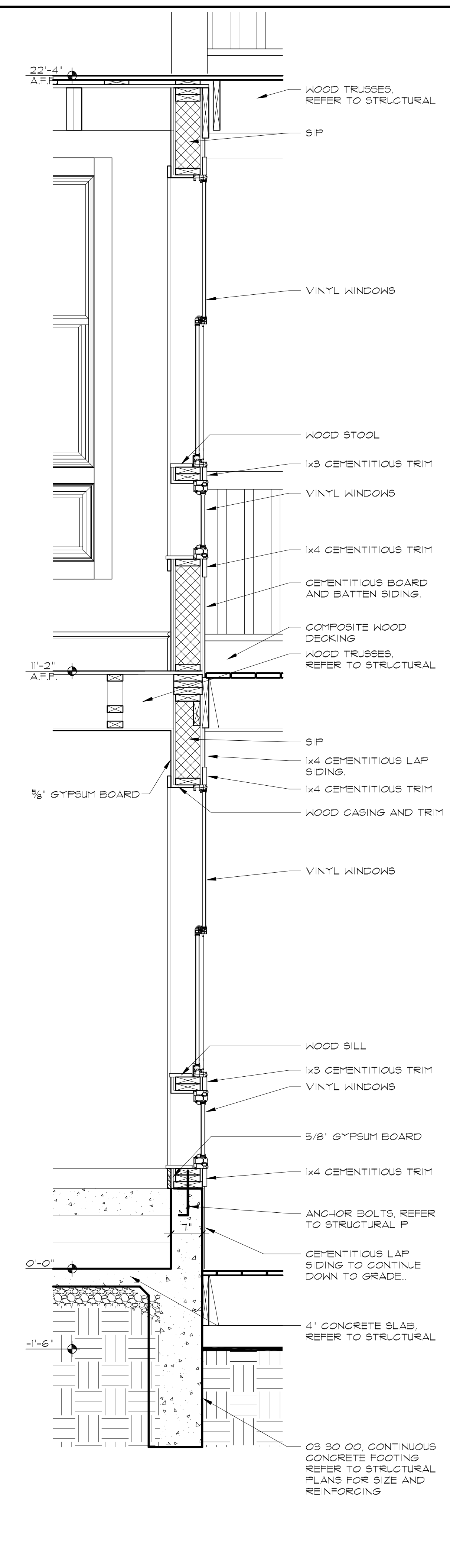
8-POST DETAIL

SCALE: 1/2"=1'-0"



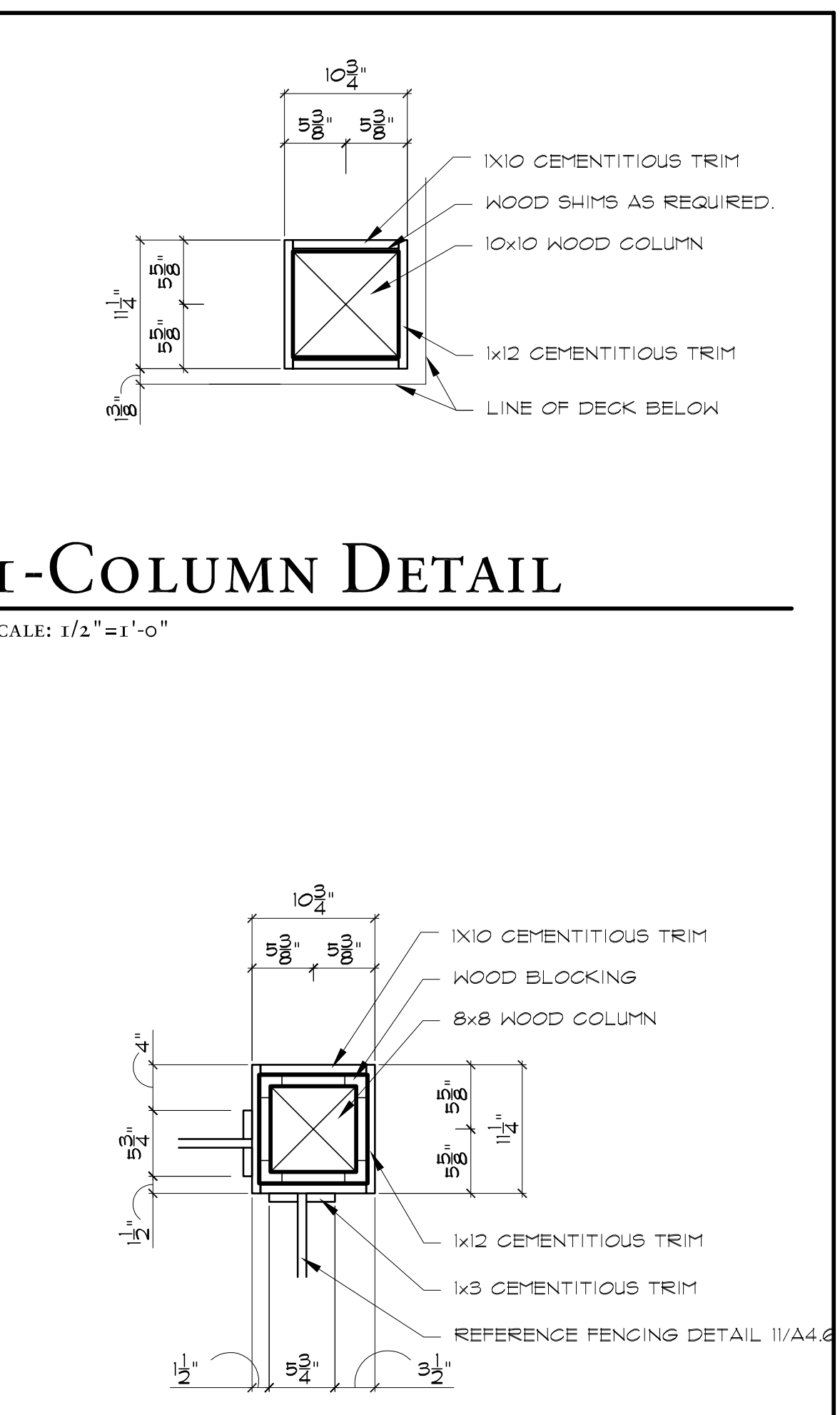
13-WALL SECTION

SCALE: 3/4"=1'-0"



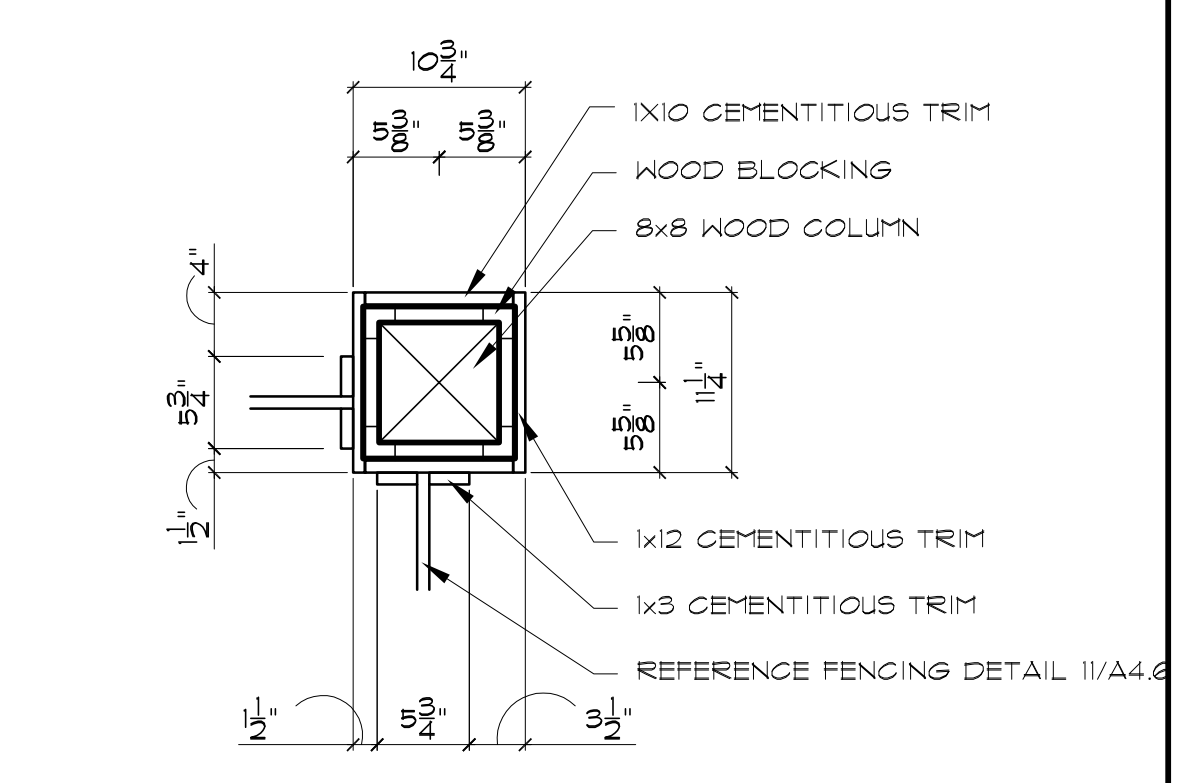
12-WALL SECTION

SCALE: 3/4"=1'-0"



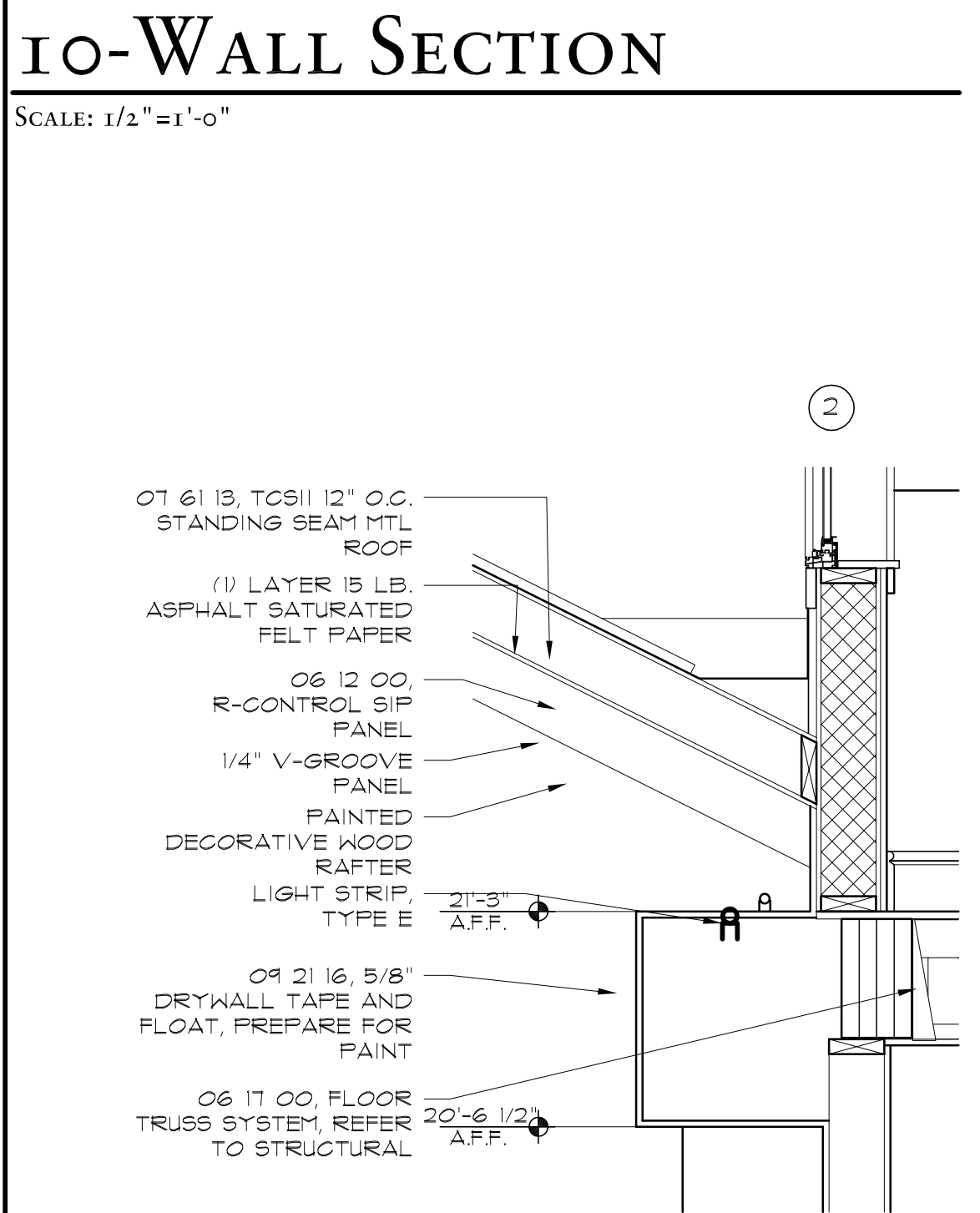
I-COLUMN DETAIL

SCALE: 1/2"=1'-0"



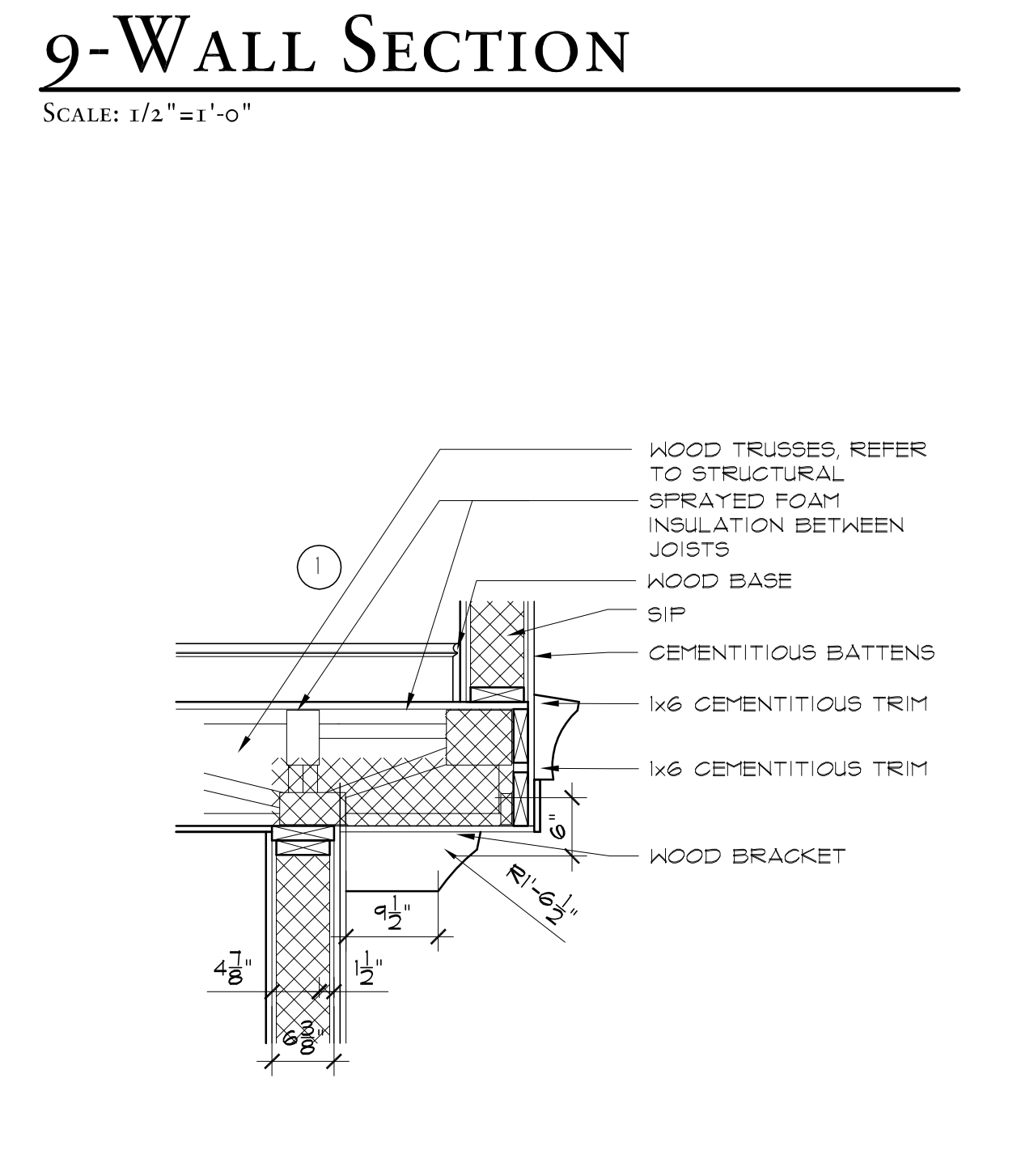
6-COLUMN DETAIL

SCALE: 1/2"=1'-0"



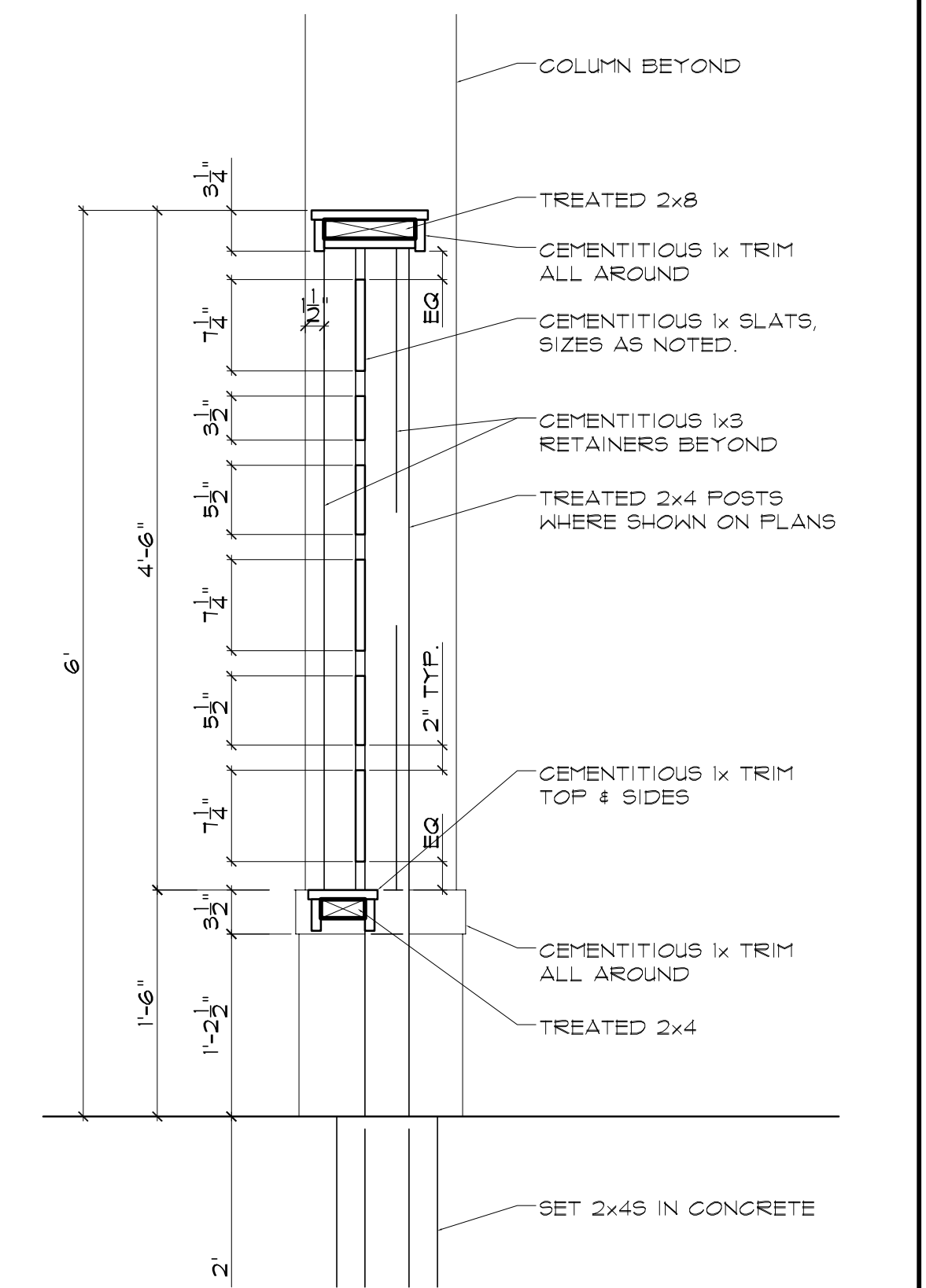
15-WALL SECTION

SCALE: 3/4"=1'-0"



14-WALL SECTION

SCALE: 3/4"=1'-0"



11-FENCING DETAIL

SCALE: 1"=1'-0"

SHEET NO.
A4.6

WALL SECTIONS & DETAILS
CIN3401R

1 JUN 13

THE GRUENE HOUSE
CINNAMON SHORE
175 SEASIDE DR.
PORT ARANSAS, TX 78373

BRENNER DESIGN
Architects
Construction Management

620 N. Delaware
Indianapolis, IN 46204
317.262.1200
www.brennerdesign.com