

EQUIPMENT SCHEDULE

TYPE	DESCRIPTION	MANUF.	MODEL #	REMARKS
CT	36" MASTERPIECE SERIES INDUCTION COOKTOP WITH STAINLESS STEEL FRAME	THERMADOR	GT3655B	FINISH-BLACK
D	800 SERIES ELECTRIC STEAM DRYER - 6.1 CU. FT. DRUM CAPACITY	BOSSCH	KTVG839PUS	FINISH-SKY
DA	24" BHERALD SERIES DISHWASHER QTY (2)	THERMADOR	DA4D410JPM	FINISH- STAINLESS STEEL
DA-2	8" SPECIAL APPLICATION DISHWASHER			FINISH- STAINLESS STEEL
HD	GLASS CANOPY ISLAND HOOD WITH 600 CFM BLOWER	BOSSCH	DIIE69RUC	FINISH- STAINLESS STEEL
IM	ICE MAKER QTY (2)			FINISH- STAINLESS STEEL
MW	MASTERPIECE SERIES 30" MICROWAVE - 2.1 CU. FT. CAPACITY	THERMADOR	MBS5	FINISH- STAINLESS STEEL
OV	30" MASTERPIECE SERIES DOUBLE OVEN - 4.1 CU. FT. CAPACITY	THERMADOR	MBS02ES	FINISH- STAINLESS STEEL
REF	36" FREEDOM COLLECTION BUILT-IN BOTTOM-FREEZER, 19.1 CU. FT. CAPACITY	THERMADOR	T36BB81099	FINISH- STAINLESS STEEL
REF	24" FREEDOM COLLECTION BUILT-IN REFRIGERATOR	THERMADOR	T24BR10FSE	FINISH- STAINLESS STEEL
REF	JUNDER CABINET			
TR	30" TRIM KIT FOR MW	THERMADOR	METS0ES	FINISH- STAINLESS STEEL
W	800 SERIES FULL SIZE WASHER - 4.4 CU. FT. DRUM CAPACITY WITH AQUA STOP	BOSSCH	WPVGB44PUC	FINISH- SKY
WD	PROFESSIONAL SERIES 30" WARMING DRAWER-2.6 CU. FT. CAPACITY	THERMADOR	WD30EP	FINISH- STAINLESS STEEL
WC	WINE COOLER			FINISH- STAINLESS STEEL

PLUMBING FIXTURE SCHED.

TYPE	DESCRIPTION	MANUF.	MODEL #	REMARKS
GD	GARBAGE DISPOSAL	KITCHENAID	KBDS100T	
F-1	NOT USED			
F-2	RR 106, 108, 204, 207, 303	LOWE'S	492914 8802-140-PN	POLISHED NICKEL
F-3	SHOWER/ BATH RR 106			
F-4	BAR SINK, 202, 303	LOWE'S	492914 443940-450-PN	POLISHED NICKEL
F-5	NOT USED			
F-6	PILAR SINGLE HANDLE PULL-DOWN KITCHEN FAUCET WITH TOUCH20 TECHNOLOGY, 202	DELTA	4807-SS-DST	STAINLESS STEEL
F-7	NOT USED			
F-8	NOT USED			
SH-1	SHOWER 106, 303	LOWE'S	1999 412 SH-PNL	POLISHED NICKEL
SH-2	SHOWER HEAD & BODY SPRAY, TWO SHOWER HEADS (ROTATE 360) ON PIVOTING ARM, TUBULAR ARM FIVETS, 80 DREAMSPRAY TECHNOLOGY, SPEEDCLEAN ANTI-LIME SYSTEM, ECO WATER CONSERVING SPRAY	GROHE	19485 21 001 000 STARLIGHT	CHROME FINISH - 2.5 GPM AT 80 PSI (EACH OUTLET)
SH-3	MASTER BATH HANDHELD SHOWER	LOWE'S	19485 21242201	CHROME FINISH - 2.5 GPM
SK-1	LAUNDRY UNIT	LOWE'S	399894 BC2492-ES	SINK AND FAUCET INCLUDED, EXPRESSO
SK-2	SINGLE SINK UNIT 106, 204, 303	LOWE'S	394517 16567	SINK INCLUDED, CHERRY
SK-3	KITCHEN SINK, 202	LOWE'S	16491 DCH-3922-1	DUAL MOUNT GRANITE KITCHEN SINK INCLUDE SINK BOTTOM DRAIN BASKET
SK-4	KITCHEN BAR SINK, 202	ELKAY	EELUT14	UNDERMOUNT
SK-5	MASTER BATH SINK, 201 - KOHLER	LOWE'S	16842 220-46	CANTON BISCUIT UNDERMOUNT
SK-6	SUN ROOM BAR SINK	LOWE'S	40285 441026	STAINLESS 15" X 15"
SK-7	DOUBLE SINK UNIT, 106	LOWE'S	394513 16556	SINKS INCLUDED, CHERRY
HC-1	ROOMS 106, 108, 204, 207, & 303	LOWE'S	512195 AT1203-03	BISCUIT 1.28 GPF
FD	FLOOR DRAIN, 105	CATEY	259473 820003	5" STAINLESS
TD-1	TRENCH DRAIN 303	FERGUSON	-SF641363 -SF641362 -SF624008	MUST GO WITH SHOWER CHANNEL AND SS COUPLING.
TD-2	TRENCH DRAIN 106	FERGUSON	-31407 -SF641362 -SF624008	MUST GO WITH SHOWER CHANNEL AND SS COUPLING.

NOTE: ALL PLUMBING FIXTURES O/F/C/I.

PLUMBING ACCESS. SCHED.

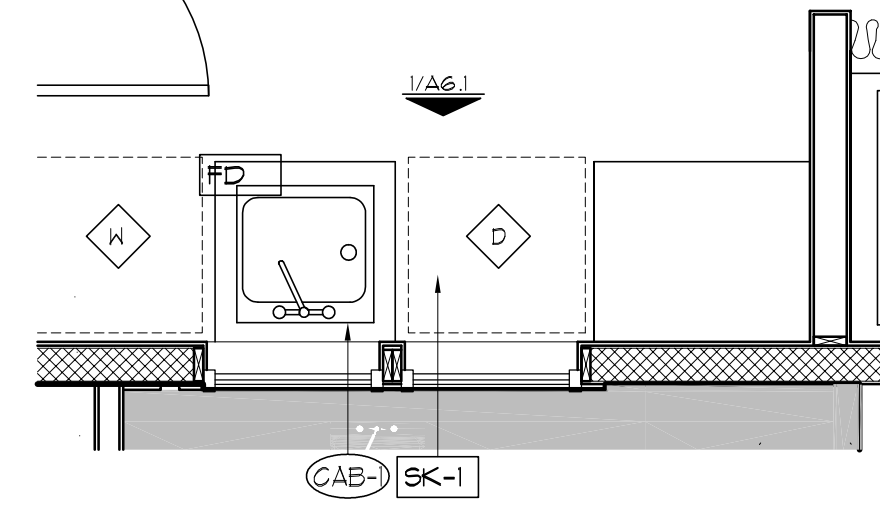
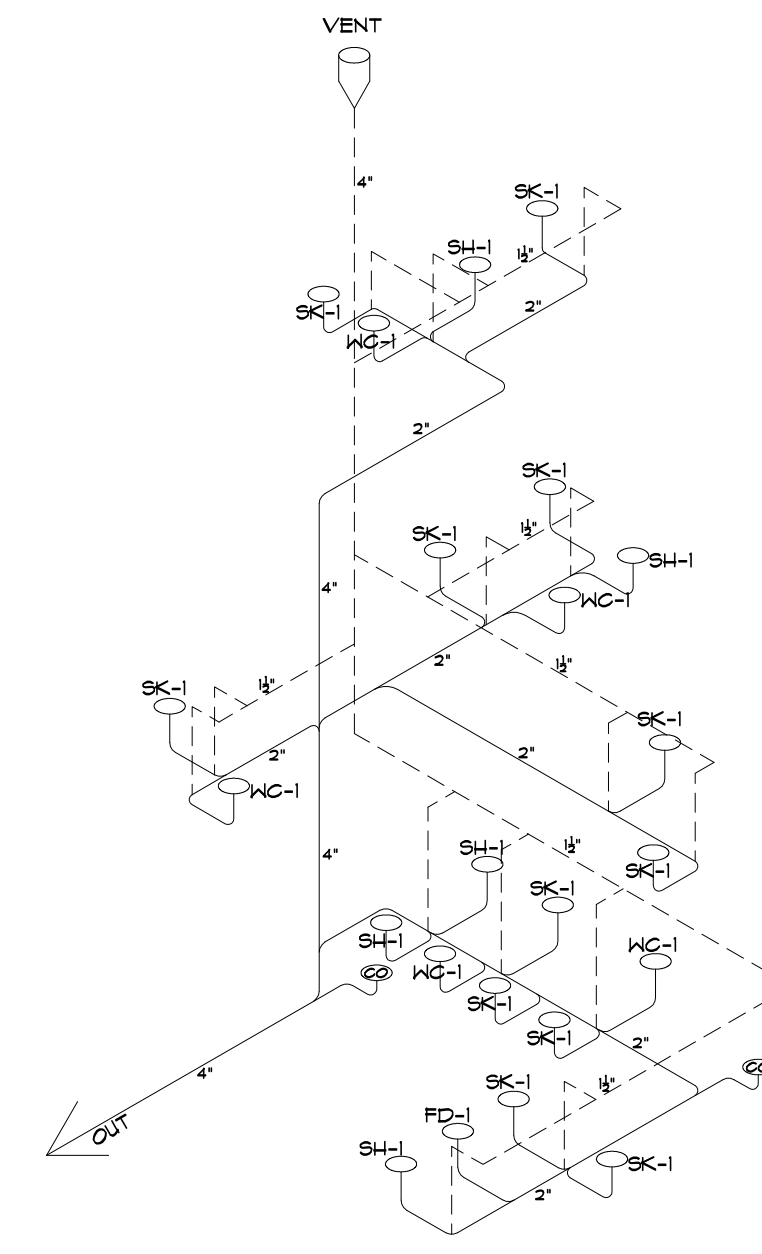
TYPE	DESCRIPTION	MANUF.	MODEL #	REMARKS
GB	GRAB BAR - 24"			POINT VERTICAL PROVIDE BLOCKING
M-4	OVAL FRAMED CABINET WITH 1/2" BEVELED FRAMELESS DOOR AND WHITE POLYSTYRENE 20-1/8" X 21-1/4" X 6-5/8" D	KOHLER	K-2462	RECESSED CABINET
TP	TOILET PAPER HOLDER			
TB	TOWEL BAR			
SR	SHOWER ROD			

GLASS SCHEDULE

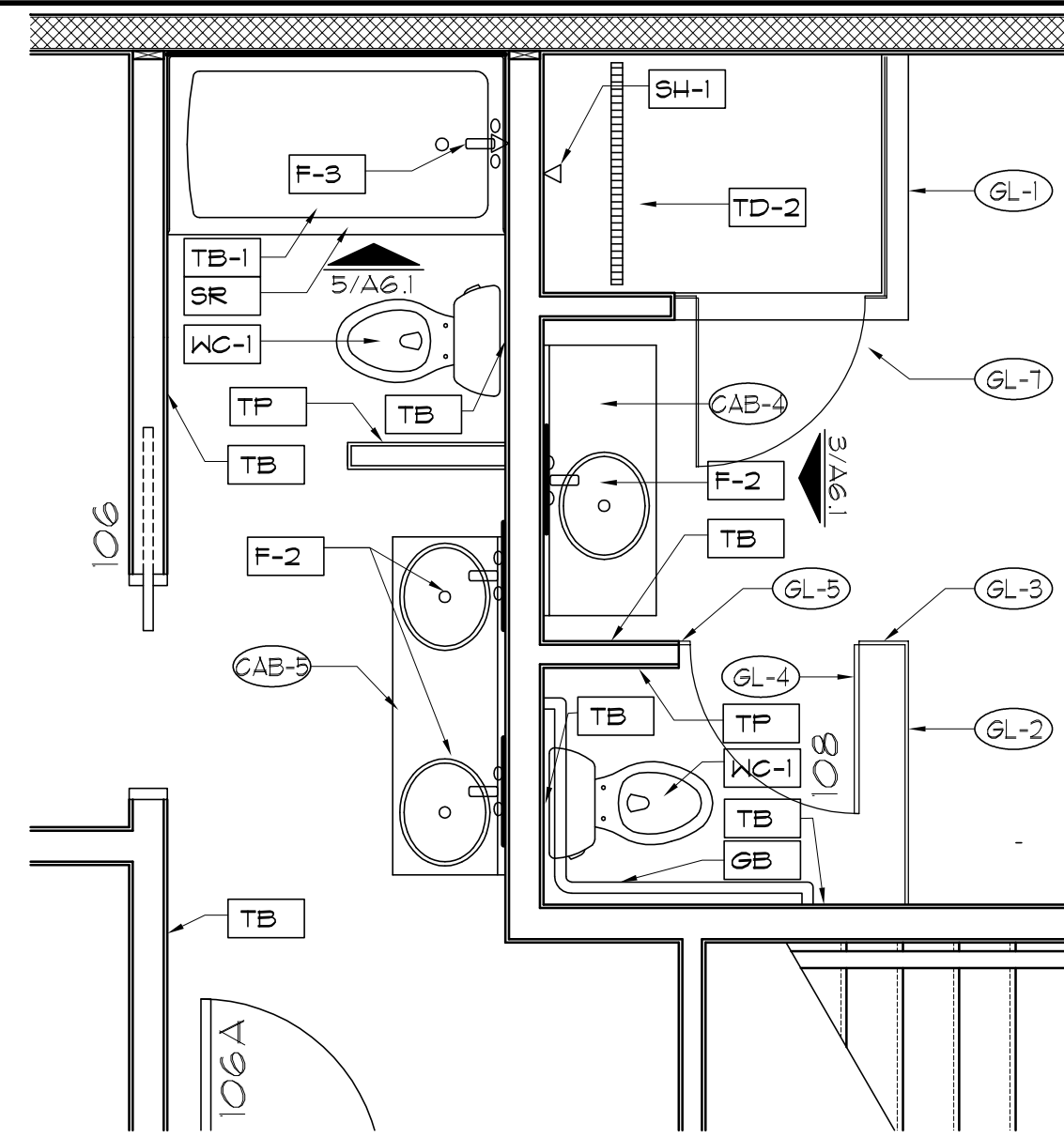
TYPE	DESCRIPTION	MANUF.	MODEL #	DIMENSION
GL-1	FROSTED GLASS			4'-0" x 6'-6"
GL-2	FROSTED GLASS			3'-0" x 6'-6"
GL-3	FROSTED GLASS			8 3/4" x 6'-6"
GL-4	FROSTED GLASS DOOR			2'-6" x 6'-6"
GL-5	FROSTED GLASS			2' x 6'-6"
GL-6	CLEAR GLASS DOOR ON A TRACK			2'-2" x 6'-6"
GL-7	FROSTED GLASS SHOWER DOOR			2'-6" x 6'-4"
GL-8	CLEAR GLASS SHOWER DOOR			(2) 2'-9" x 6'-4"

I 2-RISER DIAGRAM

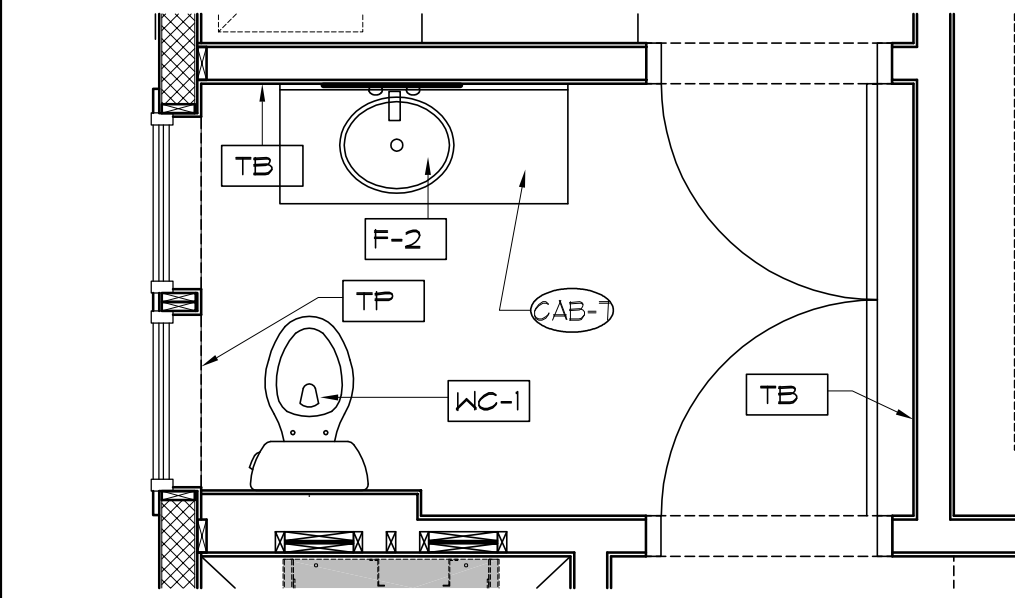
SCALE: N.T.S



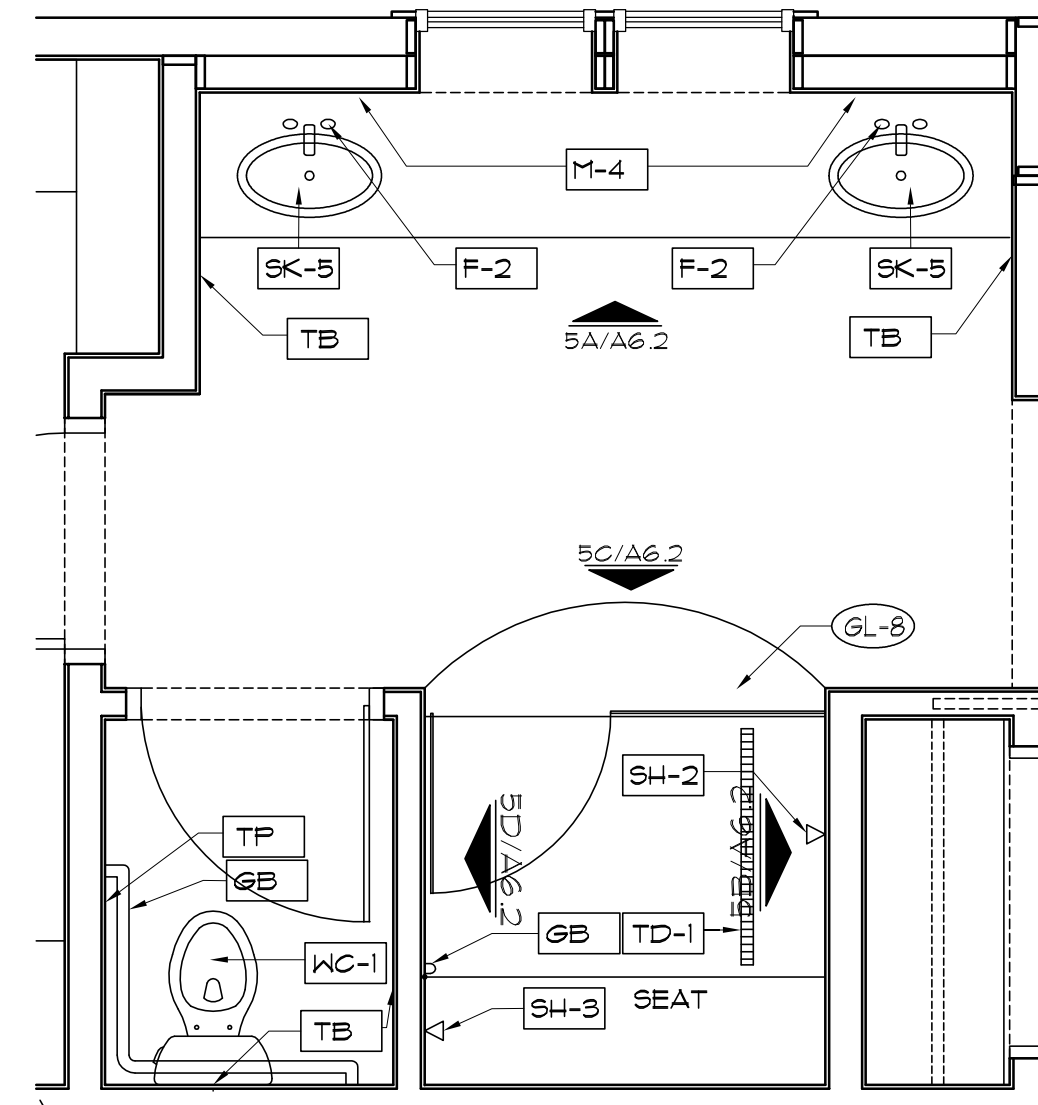
3-ENLARGED PLAN - #103
SCALE: 3/8"=1'-0"



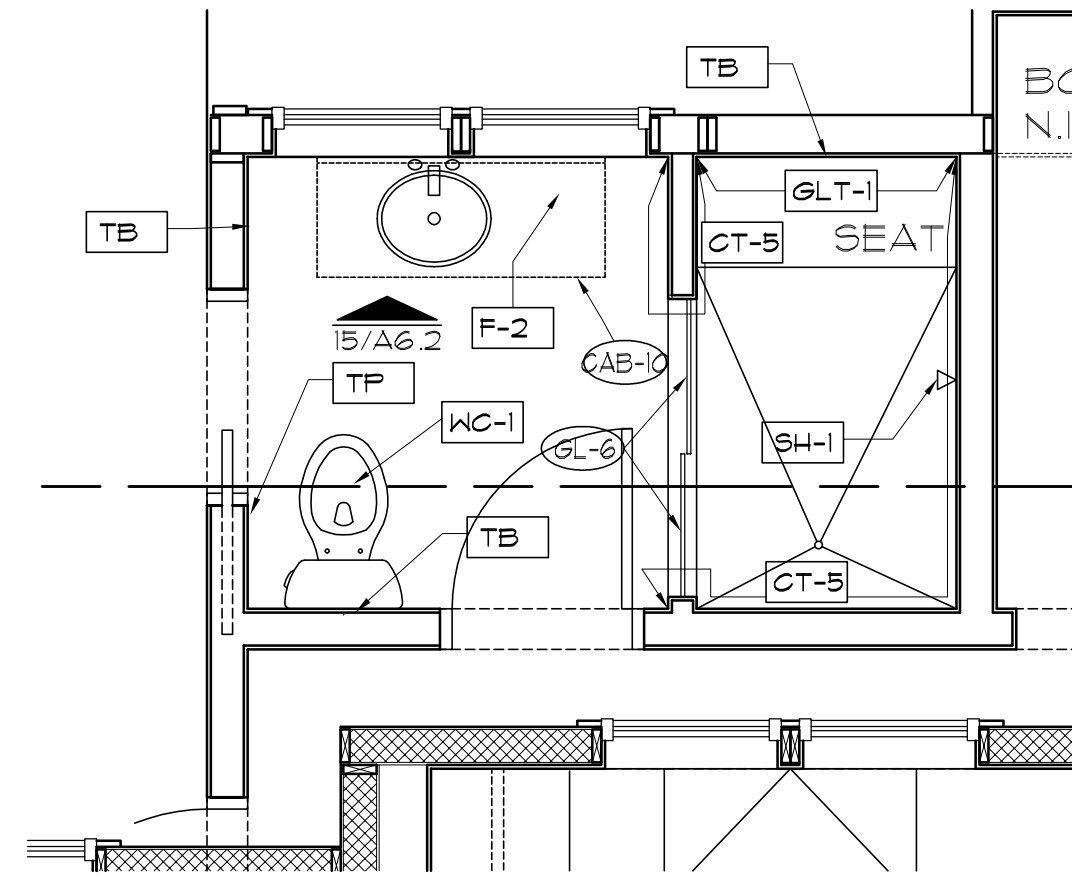
4-ENLARGED PLAN - #106 & 108
SCALE: 3/8"=1'-0"



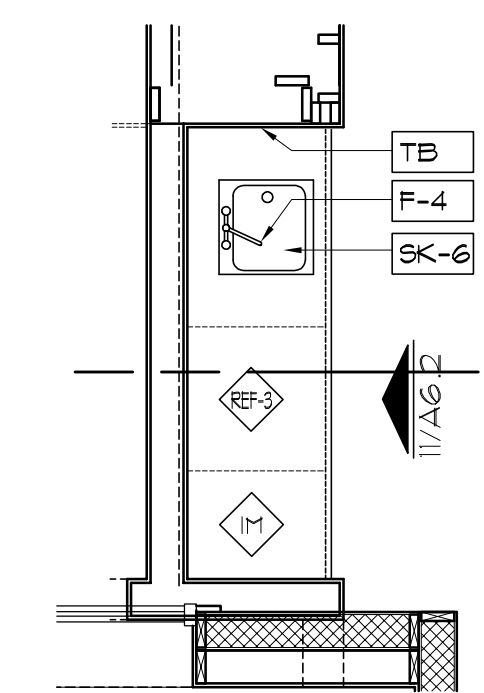
5-ENLARGED PLAN - #204
SCALE: 3/8"=1'-0"



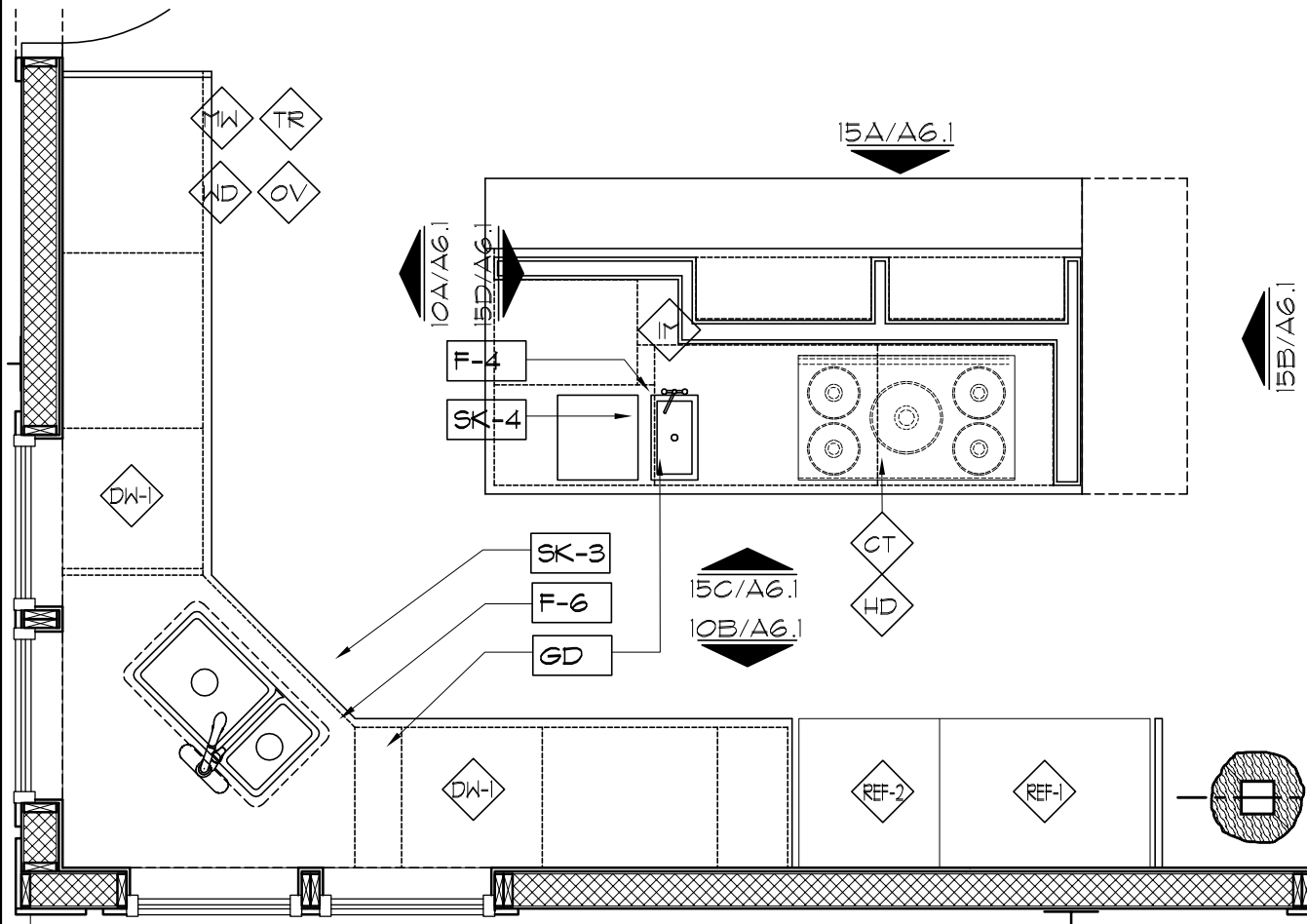
9-ENLARGED PLAN - #207
SCALE: 3/8"=1'-0"



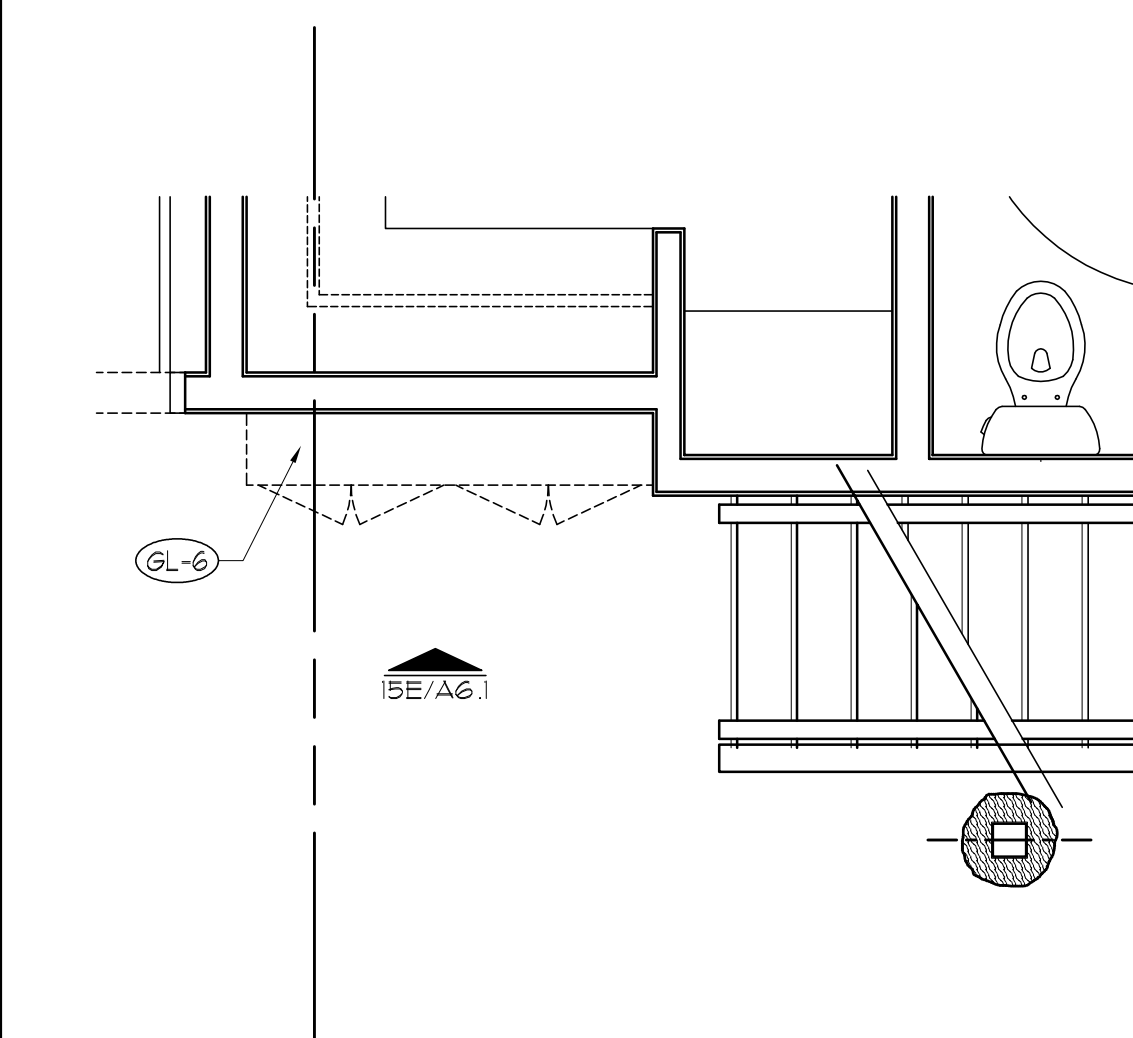
8-ENLARGED PLAN - #303
SCALE: 3/8"=1'-0"



7-ENLARGED PLAN - #304
SCALE: 3/8"=1'-0"



10-ENLARGED PLAN - #202
SCALE: 3/8"=1'-0"



15-ENLARGED PLAN - CAB 9
SCALE: 3/8"=1'-0"

SHEET NO. A3.1

ENLARGED PLANS
1 JUN 13
CIN3401R

THE GRUENE HOUSE
CINNAMON SHORE
175 SEASIDE DR.
PORT ARANSAS, TX 78373



620 N. Delaware
Indianapolis, IN 46204
317.263.1201
317.263.1200
www.brennerdesign.com

BRENNER DESIGN
Architects
Construction Management