

LIGHT FIXTURE SCHEDULE

REFER TO A2.1

CEILING PLAN NOTES

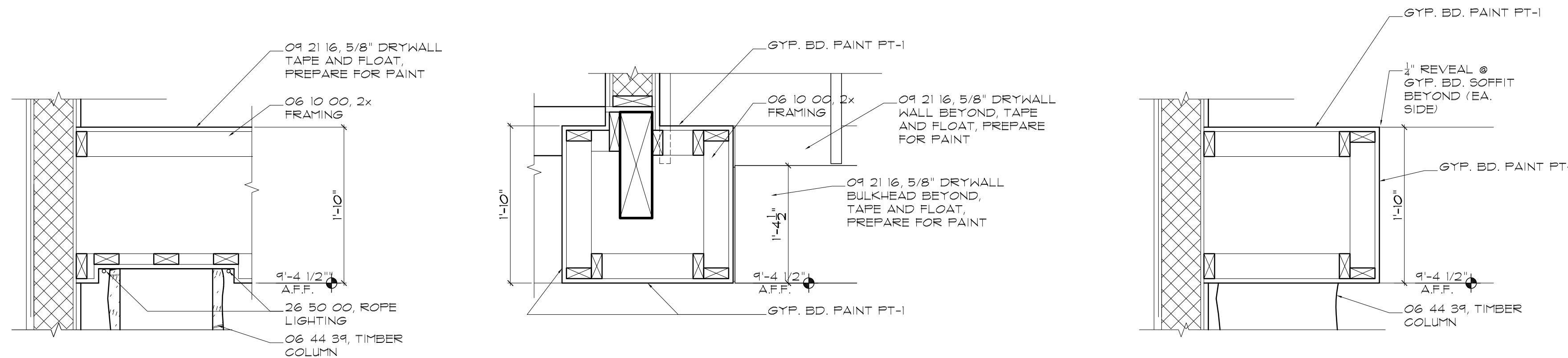
ALL HVAC AND ELECTRICAL LIGHTING DESIGN SHALL BE DESIGN / BUILD. THIS PLAN IS FOR GENERAL LOCATION ONLY, AND IS INTENDED ONLY FOR DESIGN INTENT.

REFER TO MECHANICAL DOCUMENTS FOR HVAC SPECIFICATIONS. COORDINATE WITH ARCHITECT FOR EXACT LOCATIONS. ALL EXPOSED GRILLS SHALL BE FINISH: MATCH CEILING OR WALL COLOR

ALL HALL BOX DIMMERS SHALL RETAIN A MINIMUM ELECTRICAL LOAD OF 1500-2000 WATTS.

CONTRACTOR SHALL VERIFY WITH ARCHITECT LOCATION OF DIMMER FOR PUCK LIGHTS IN CABINETS PRIOR TO INSTALLATION.

- 1 SWITCH TO 6 OUTLETS ON A2.3
- 2 GYP. BD. CEILING HEIGHT AS INDICATED, (PAINT PT-1)
- 3 GREEN BOARD CEILING, (PAINT PT-1)
- 4 EXPOSED CEILING
- 5 PAINT UNDERSIDE OF 61P6 PANELS



5-SECTION @ COLUMN

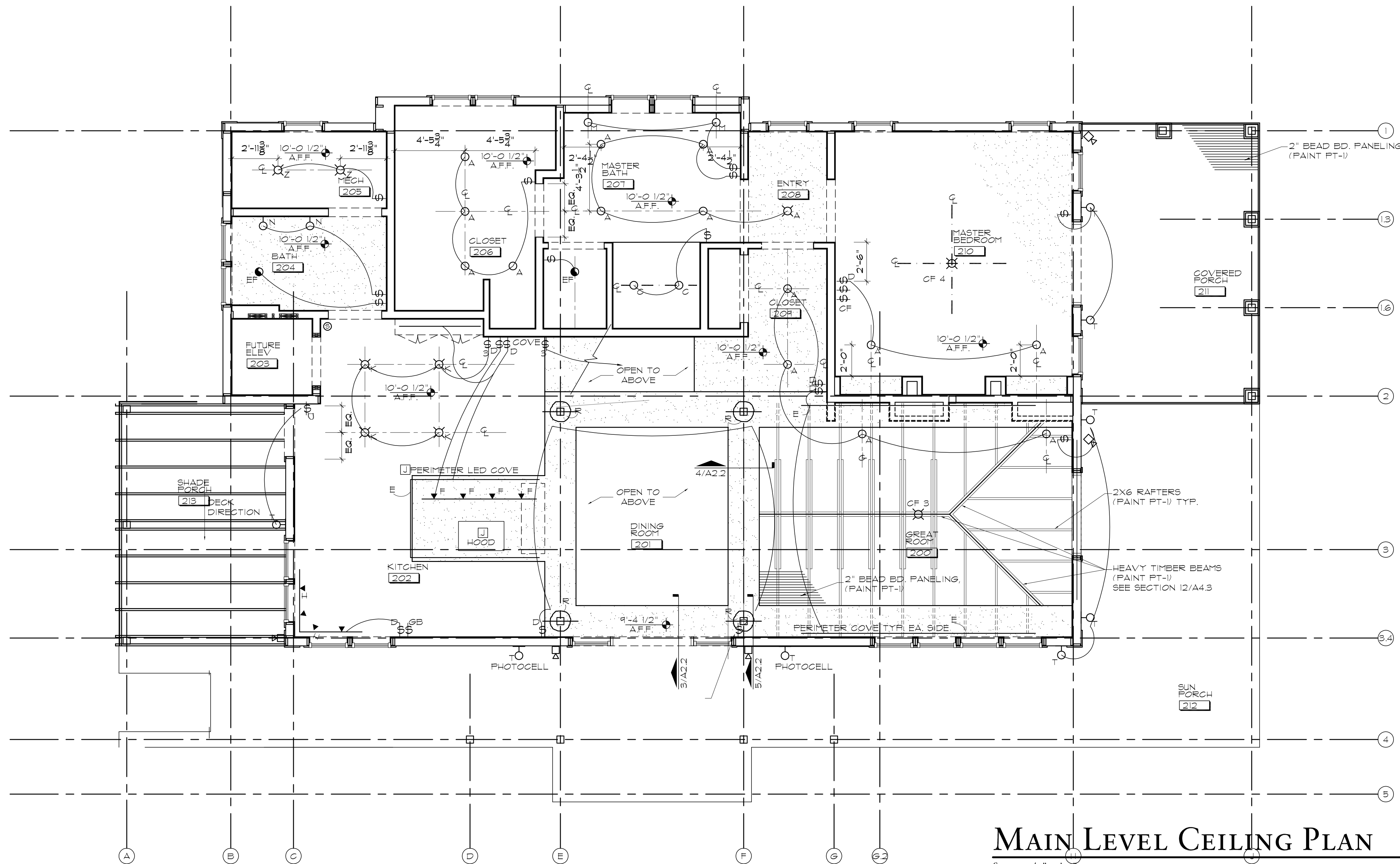
SCALE: 1"=1'-0"

4-SECTION @ BULKHEAD

SCALE: 1"=1'-0"

3-SECTION @ BULKHEAD

SCALE: 1"=1'-0"



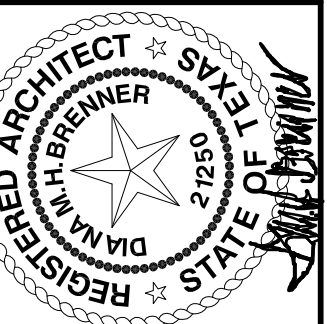
MAIN LEVEL CEILING PLAN

SCALE: 1/4"=1'-0"

CEILING LEGEND

- | | |
|--|---|
| | ROOM NAME |
| | ROOM NAME & NUMBER |
| | CEILING PLAN NOTE |
| | DETAIL TAG & ENLARGED PLAN, INDICATES DETAIL #1 ON SHEET A3.1 |
| | INDICATES CEILING HEIGHT |
| | RECESSED CEILING FIXTURE |
| | RECESSED CEILING FIXTURE / SPEAKER |
| | CEILING FAN |
| | CEILING MOUNTED LIGHT FIXTURE, VERIFY W/ ARCHITECT EXACT LOCATION & HEIGHT, BEFORE ROUGH-IN INSTALLATION. |
| | SUSPENDED LIGHT FIXTURE, VERIFY W/ ARCHITECT EXACT LOCATION & HEIGHT, BEFORE ROUGH-IN INSTALLATION. |
| | RECESSED ADJUSTABLE ACCENT LIGHT FIXTURE |
| | WALL MOUNTED LIGHT FIXTURE, VERIFY W/ ARCHITECT EXACT LOCATION & HEIGHT, BEFORE ROUGH-IN INSTALLATION. |
| | TRACK MOUNTED LIGHT FIXTURE, VERIFY W/ ARCHITECT EXACT LOCATION & HEIGHT, BEFORE ROUGH-IN INSTALLATION. |
| | INDICATES SWITCH NUMBER |
| | INDICATES FIXTURE TYPE |
| | ONE WAY SWITCH |
| | THREE WAY SWITCH |
| | INDICATES SWITCH W/ DIMMER |
| | INDICATES FIXTURES GANGED BY AREA |
| | INDICATES SWITCH TO EXHAUST FAN |
| | INDICATES SWITCH TO CEILING FAN |
| | INDICATES FIXTURE TO BE SWITCHED |
| | EXHAUST FAN / LIGHT (EF) |
| | SMOKE DETECTOR |
| | JUNCTION BOX |
| | OUTDOOR FOURPLEX |
| | VIDEO CABLE CONNECTION CABLE OR SATELLITE, SEE DETAIL |
| | SPEAKER, JUNCTION BOX IN CLG OR WALL (W) |

THE GRUENE HOUSE
CINNAMON SHORE
175 SEASIDE DR.
PORT ARANSAS, TX 78373



620 N. Delaware
Indianapolis, IN 46204
317.262.1200, tel.
317.262.1200, fax
www.brennerdesign.com

BRENNER DESIGN
Architecture
Construction Management



SHEET NO. **A2.2**

MAIN LEVEL REFLECTED CEILING PLAN

13 JAN 11

1 JUN 13

CIN3401R