

THIS DRAWING AND THE DESIGN SHOWN IS THE PROPERTY OF ART LOVE DESIGN STUDIO. THE REPRODUCTION, COPYING, OR USE OF THIS DRAWING WITHOUT THE WRITTEN CONSENT OF ART LOVE DESIGN STUDIO IS PROHIBITED AND ANY INFRINGEMENT WILL BE SUBJECT TO LEGAL ACTION. ©2010 ART LOVE DESIGN STUDIO.

SIMS ENGINEERING, LLC.

6815 Azalea Ln. Dallas, Texas 75230
(214) 295-9571
www.simseng.com
REG # 10571

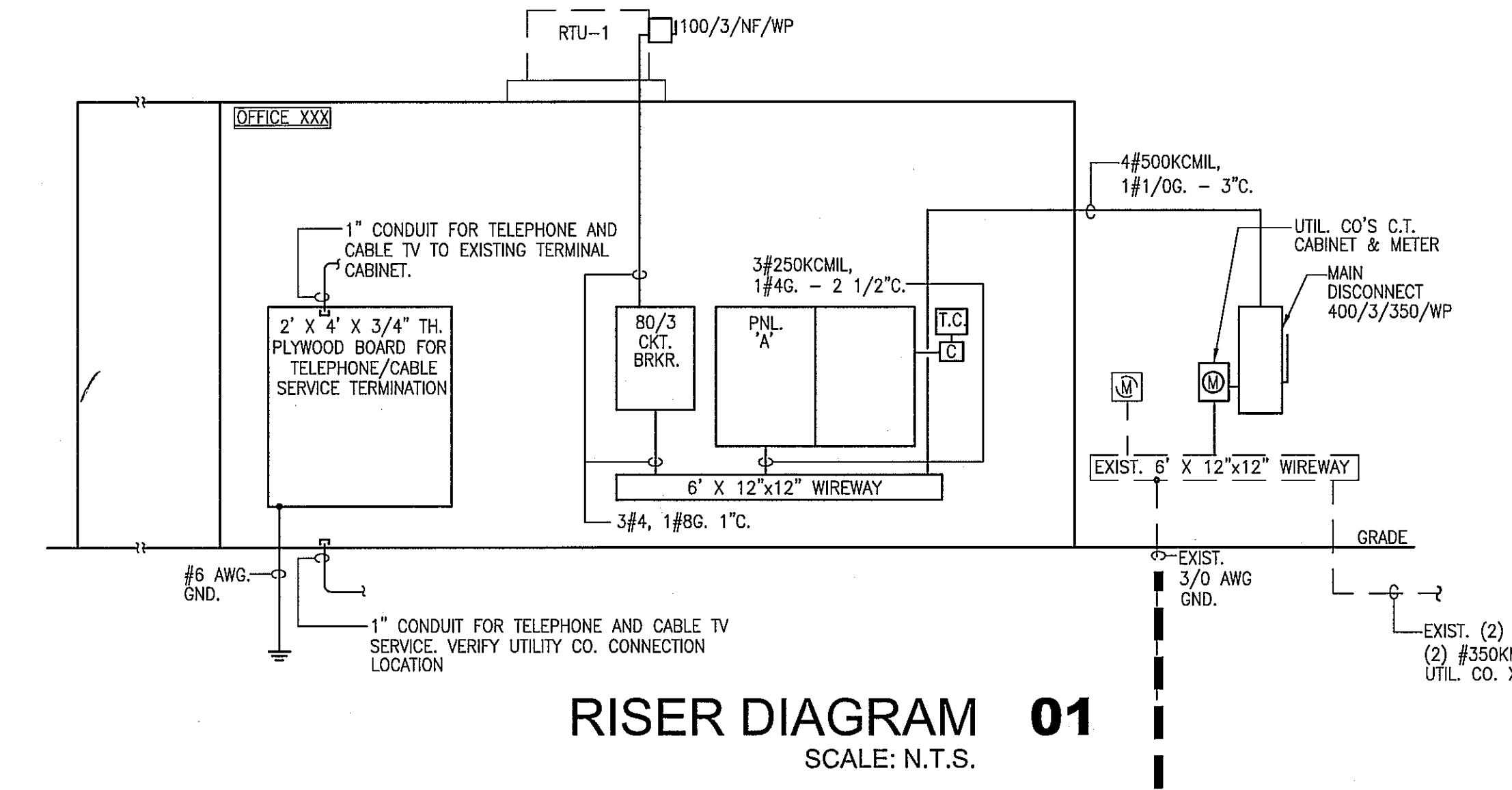


ART LOVE DESIGN STUDIO
6606 HUNTERS RIDGE
DALLAS, TX 75206

ELECTRICAL SYMBOLS	
SYMBOL	DESCRIPTION
SW	WALL SWITCH SPST, 20A/120/277V
SD	WALL DIMMER SWITCH
SWP	WALL SWITCH WITH PILOT LIGHT
SWOC	WALL SWITCH WITH OCCUPANCY SENSOR
MSPL	MOTOR RATED SINGLE POLE RED JEWEL PILOT LIGHT SWITCH
MS	MANUAL MOTOR STARTER SWITCH WITH THERMAL OVERLOAD AND PILOT LIGHT
XX	DUPLEX OR DUPLEX GFCI RECEPTACLE - 20A/125V/2P/3W/G NEMA 5-20R AT 4XX" A.F.F. U.N.O.
XX	DUPLEX RECEPTACLE - 20A/125V/2P/3W/G NEMA 5-20R
XX	DUPLEX RCPT. SPLIT-WIRED - 20A/125V/2P/3W/G NEMA 5-20R
XX	DUPLEX RECEPTACLE GFCI - 20A/125V/2P/3W/G NEMA 5-20R
XX	QUADRUPLEX RECEPTACLE (TWO DUPLEX RCPTS. UNDER ONE COVERPLATE)
XX	DEDICATED DUPLEX RECEPTACLE NEMA 5-20R
XX	FLOOR DUPLEX RECEPTACLE - FLUSH MOUNTED U.N.O.
XX	SPECIAL PURPOSE RECEPTACLE (NEMA NO. AS INDICATED)
JB	JUNCTION BOX - SIZE & MOUNTING AS REQUIRED
WMO	MULTIOUTLET ASSEMBLY EQUAL TO WIREMOLD PLUGMOLD AL2000. LENGTH AND OUTLET SPACING AS INDICATED
WMO	TELEPHONE/DATA OUTLET. WALL MOUNTED - STUB 3/4" C. ABOVE ACCESSIBLE CEILING FROM OUTLET BOX
WMO	TELEPHONE OUTLET. WALL MOUNTED - STUB 3/4" C. ABOVE ACCESSIBLE CEILING FROM OUTLET BOX
WMO	TELEPHONE OUTLET. WALL MOUNTED - STUB 3/4" C. ABOVE ACCESSIBLE CEILING FROM OUTLET BOX
WMO	PAY TELEPHONE OUTLET. WALL MOUNTED - STUB 3/4" C. ABOVE ACCESSIBLE CEILING FROM OUTLET BOX
WMO	DATA OUTLET. WALL MOUNTED - STUB 3/4" C. ABOVE CEILING FROM OUTLET BOX
WMO	TELEVISION OUTLET. WALL MOUNTED - STUB 3/4" C. ABOVE CEILING FROM OUTLET BOX
WMO	FLOOR MOUNTED DATA OUTLET - FLUSH MOUNTED U.N.O.
WMO	FIRE ALARM PULL STATION MOUNTED AT 48" A.F.F.
WMO	FIRE ALARM AUDIBLE/VISUAL SIGNAL MOUNTED AT 80" A.F.F.
WMO	FIRE ALARM SPRINKLER FLOW SWITCH
WMO	FIRE ALARM SPRINKLER TAMPER SWITCH
WMO	FIRE ALARM SPRINKLER PRESSURE SWITCH
WMO	SMOKE DETECTOR (CEILING OR WALL MOUNTED, AS REQUIRED)
WMO	HEAT DETECTOR (CEILING OR WALL MOUNTED, AS REQUIRED)
WMO	DUCT SMOKE DETECTOR
WMO	FIRE ALARM CONTROL PANEL
WMO	FIRE ALARM ANNUNCIATOR PANEL
WMO	P.A. SPEAKER, CEILING OR WALL MOUNTED 9" B.F.C.
WMO	DISCONNECT SWITCH - 30/NF/3 INDICATES 30A, 3-POLE, NON-FUSED; 30/30/3 INDICATES 30A, 3-POLE, 30A FUSE
WMO	CIRCUIT BREAKER DISCONNECT SWITCH - THERMAL MAGNETIC CB IN NEMA 1 ENCL.; AMPS/POLES AS INDICATED
WMO	DISCONNECT SWITCH - 30/30/3 INDICATES 30A, 3-POLE, 30A FUSE
WMO	MOTOR STARTER FVNR U.N.O.; NUMBER INDICATES NEMA SIZE
WMO	COMBINATION MOTOR CONTROLLER/DISCONNECT SWITCH
WMO	MOTOR (NO. INSIDE DENOTES HP)
WMO	DIST. PANELBOARD / BRANCH PANELBOARD
WMO	EQUIPMENT CONNECTION
WMO	CIRCUIT CONDUCTOR INDICATION (NEUTRAL, PHASE, EQUIPMENT GROUND, ISOLATED GROUND, SWITCH LEG) (NO INDICATION REPRESENTS 2#12, 1#12G, 1/2"C. U.N.O.)
WMO	CIRCUIT HOME RUN TO PANELBOARD (2 #12, 1 #12G, 3/4"C. 20A/1P CB U.N.O.)
WMO	THREE SINGLE POLE DEVICE CIRCUIT NUMBERS
WMO	MULTI-POLE DEVICE CIRCUIT NUMBERS

ELECTRICAL ABBREVIATIONS			
A.F.F.	ABOVE FINISHED FLOOR	NL	NIGHT LIGHT
BFC	BELOW FINISHED CEILING	NO	NORMALLY OPEN
C	CONDUIT	SP	SPARE
CB	CIRCUIT BREAKER	ST	SHUNT TRIP
EC	EMPTY CONDUIT	SW	SWITCH
G	GROUND (EQUIPMENT)	UF	UNDERFLOOR
GFCI	GROUND FAULT CKT. INTERRUPTER	UG	UNDERGROUND
IC	INTERRUPTING CAPACITY	U.N.O.	UNLESS NOTED OTHERWISE
IG	ISOLATED GROUND	WP	WEATHERPROOF
MTD	MOUNT OR MOUNTED	XFMR	TRANSFORMER
NC (N.C.)	NORMALLY CLOSED	RCPT(S)	RECEPTACLE(S)
NF	NON-FUSED	PNL	PANEL
NIC	NOT IN CONTRACT	SO	SPACE ONLY

NOTES:
1. ALL MOUNTING HEIGHTS REFER TO CENTERLINE OF DEVICE U.N.O.
2. VERIFY FINAL LOCATIONS & HEIGHTS WITH DETAILS, ARCHITECTURAL PLANS OR OWNER'S REPRESENTATIVE.
ALL SYMBOLS SHOWN MAY NOT APPEAR IN ALL DRAWINGS.



RISER DIAGRAM 01
SCALE: N.T.S.

FEEDER SCHEDULE			
FDR. NO.	CABLE	CONDUIT	CKT. AMPS
1	3#12, 1#12 GND.	3/4"	20
2	3#10, 1#10 GND.	3/4"	30
3	3#8, 1#10 GND.	3/4"	40
4	3#6, 1#10 GND.	1"	50
5	3#4, 1#10 GND.	1"	60
6	3#4, 1#8 GND.	1"	70
7	3#2, 1#8 GND.	1 1/4"	80
8	3#2, 1#8 GND.	1 1/4"	90
9	3#1, 1#8 GND.	1 1/2"	100

LOAD ANALYSIS

EXISTING SERVICE: 120/240V, 3 PHASE, 4 WIRE, 400 AMPS
EXISTING FEEDERS: (2) #500KCMIL (A8, C8), (2) #350KCMIL (B8, N) - 3°C.
DEMAND AMPS: #A 49.6, #B 206.7, #C 81.0, #N 206.7
DEMAND KVA: #A 1.0, #B 33.6, #C 81.0, #N 4.2, 4.2
291.8 81.0 291.8 210.9

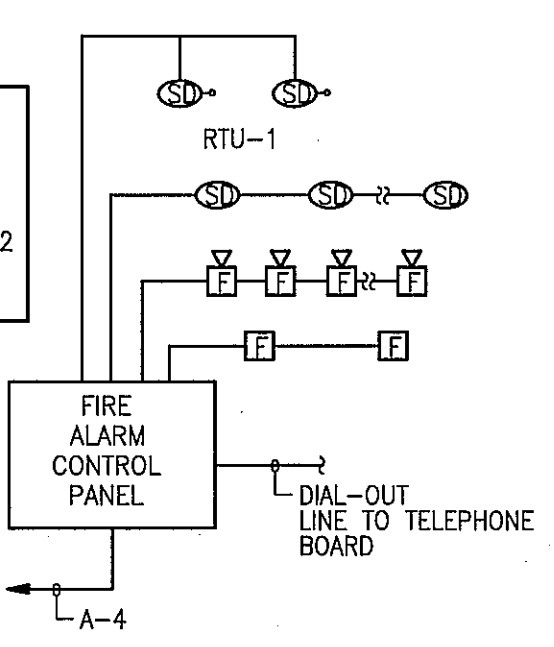
CONCLUSION:
EXISTING SERVICE AND FEEDERS ARE ADEQUATE TO SUPPORT PROJECT LOADS

PANELBOARD SCHEDULE 'A'																	
DESCRIPTION	AMPS	FEEDER	LOAD, VA					PHASE	CKT	LOAD, VA					FEEDER	AMPS	DESCRIPTION
			POLES	NO.	LTS	RCPTS.	MOTOR			KITCHEN	OTHER	C	OTHER	KITCHEN			
LIGHTING	20/1	2	1000					1	2	600					1	20/1	TELEPHONE BOARD
LIGHTING	20/1	2	1000					3	4	600					1	20/1	FAOP
LIGHTING	20/1	2	1000					5	8	600					1	20/1	SECURITY SYSTEM
LIGHTING	20/1	2	1000					7	10						1	20/1	RECEPTACLES
LIGHTING	20/1	2	1000					9	12						1	20/1	RECEPTACLES
SPARE	20/1							11	14						1	20/1	RECEPTACLES
DRESSER OUTLET	20/1	1						13	16						1	20/1	RECEPTACLES
DRESSER OUTLET	20/1	1						15	18						1	20/1	RECEPTACLES
DRESSER OUTLET	20/1	1						17	20						1	20/1	RECEPTACLES
DRESSER OUTLET	20/1	1						19	22						1	20/1	TV RECEPTACLES
DRESSER OUTLET	20/1	1						21	24						1	20/1	RECEPTACLES
DRESSER OUTLET	20/1	1						23	26	600					1	20/1	DISPOSAL
DRESSER OUTLET	20/1	1						25	28	1500					1	20/1	DISHWASHER
DRESSER OUTLET	20/1	1						27	30	1200					1	20/1	REFRIGERATOR
DRESSER OUTLET	20/1	1						29	32	1200					1	20/1	REFRIGERATOR
SPARE	20/1							31	34						1	20/1	REFRIGERATOR
OFFICE RCPTS.	20/1	1						33	36	600					1	20/1	MUSIC SYSTEM
SPARE	20/1							35	38						1	20/1	EXH. FANS EF-1,2
WATER HEATER	20/1	1						37	40	1500					1	20/1	WASHER
DRAIN VAC	20/2	1						39	42	3600					1	30/2	DRYER
								41	44	3600					1	30/2	DRYER
SHAMPOO UNITS	20/1	1						43	46	1500					1	20/1	PORTABLE DRYER
SHAMPOO UNITS	20/1	1						45	48	1500					1	20/1	PORTABLE DRYER
SPARE	20/1							47	50	900					1	20/1	OUTLET SHAMPOO
SPARE	20/1							49	52	900					1	20/1	OUTLET SHAMPOO
SPARE	20/1							51	54						1	20/1	SPARE
SPARE	20/1							53	56						1	20/1	SPARE
SPACE								55	58						1	20/1	SPACE
SPACE								57	60						1	20/1	SPACE
SPACE								59									
SPACE								60									
SUB-TOTAL			5000	540	1340	0	13440			15900	5700	696	8640	0		SUB-TOTAL	

DESCRIPTION	MOUNTING: SURFACE	VOLTAGE: 240V, 3PH, 4W	MAINS SIZE: 250A	MAINS: MCB	PNL TYPE: NQOD	A.I.C. 65 K.A.I.C.
CATEGORY	CONNECT LOAD KVA	AMPS	FACTOR	DESIGN LOAD KVA	AMPS	LOAD PER PHASE
LIGHTING	5.0	20.8	1.25	6.3	26.0	PH A 28030
RECEPTACLE	9.2	38.3	NEC	9.2	38.3	PH C 23226
MOTOR	2.0	8.5	NEC	2.0	8.5	
KITCHEN	5.7	23.8	NEC	4.6	19.0	
WATER HTG	7.0	29.2	NEC	7.0	29.2	
HEATING	18.4	76.8	NEC	18.4	76.8	
OTHER	2.1	8.8	1.0	2.1	8.8	
TOTAL	49.5	206.1		49.6	206.5	

NOTES:
1. REFER TO FEEDER SCHEDULE ON THIS SHEET.
2. PROVIDE GFCI BREAKERS FOR CIRCUITS A-43, A-45.

FIRE ALARM NOTES:
PROVIDE FIRE ALARM CONTROL PANEL AND NOTIFICATION DEVICES SHOWN ON PLAN. CONTRACTOR TO SUBMIT FIRE ALARM SYSTEM SPECIFICATIONS AND LAYOUT PER NFPA 72 TO THE FIRE MARSHALL FOR HIS APPROVAL AND TO ENGINEER FOR REVIEW PRIOR TO INSTALLATION.



FIRE ALARM RISER DIAGRAM 02
SCALE: N.T.S.

LIGHTING FIXTURE SCHEDULE							
TYPE	MFR.	CATALOG NO.	MOUNTING	LAMPS		DESCRIPTION	
				VOLT	NO. WATT		
A	LITECONTROL	PD6N-46T8-B W-CWM-ELB-12 O-FIA/ACC	PENDANT	120	4 32	F28T58/S P30 B' DIRECT FLUORESCENT FIXTURE SUSPENDED WITH AIRCRAFT CABLE TO 10'-0" A.F.F. PROVIDE EMERGENCY BATTERY PACK IN CENTER FIXTURE WITH SUBSCRIPT 'E'.	
B	LITECONTROL	PD6N-26T8-B W-CWM-ELB-12 O-FIA/ACC	PENDANT	120	2 32	F28T58/S P30 4' DIRECT FLUORESCENT FIXTURE SUSPENDED WITH AIRCRAFT CABLE TO 10'-0" A.F.F.	
C	PRESCOLITE	1125-976-BA	PENDANT	120	1 100	PAR38 6" DIRECT PENDANT MOUNT CYLINDER W/ AIRCRAFT CABLE WITH BOTTOM OF FIXTURE AT 10' A.F.F.	
C1	PRESCOLITE	CF8P18QEB-BA	PENDANT	120	1 18	18QT CFL 8" DIRECT PENDANT MOUNT CYLINDER W/ AIRCRAFT CABLE WITH BOTTOM OF FIXTURE AT 10' A.F.F.	
D	PRESCOLITE	CF1632EB-STF60 2-SS-2B-B24	RECESSED	120	1 32	32TRT CFL 6" FLUORESCENT DOWNLIGHT	
E	LEGIION LIGHTING	#311-13-ACP-H ES	SURFACE	120	1 13	13T5 VANITY SCONCES MOUNTED AT 5'-0" A.F.F. TO BASE OF FIXTURE.	
F	BEGA	L7233	SURFACE	120	1 18	13TT CFL DECORATIVE CHANDELIER IN WHITE MURANO GLASS WITH CHROME ACCENTS MOUNTED AT 9'-0" A.F.F. TO BOTTOM OF FIXTURE.	
G	CYAN LIGHTING	6496-5-14	PENDANT	120	5 20	20W E12 BASE DECORATIVE CHANDELIER IN WHITE MURANO GLASS WITH CHROME ACCENTS MOUNTED AT 9'-0" A.F.F. TO BOTTOM OF FIXTURE.	
G1	CYAN LIGHTING	6496-8-14	PENDANT	120	8 20	20W E12 BASE DECORATIVE CHANDELIER IN WHITE MURANO GLASS WITH CHROME ACCENTS MOUNTED AT 9'-0" A.F.F. TO BOTTOM OF FIXTURE.	
G2	CYAN LIGHTING	6496-12-14	PENDANT	120	12 20	20W E12 BASE DECORATIVE CHANDELIER IN WHITE MURANO GLASS WITH CHROME ACCENTS MOUNTED AT 9'-0" A.F.F. TO BOTTOM OF FIXTURE.	
G3	KARTEL LIGHTING	KRT-FLY-03	PENDANT	120	1 20	20W E26 BASE DECORATIVE WHITE MOUNTED WITH BOTTOM OF FIXTURE AS INDICATED ON THE LIGHTING PLAN.	
G4	KARTEL LIGHTING	KRT-FLY-K9	PENDANT	120	1 20	20W E26 BASE DECORATIVE SAGE MOUNTED WITH BOTTOM OF FIXTURE AS INDICATED ON THE LIGHTING PLAN.	
X	DUAL LITE	LXURWE	SURFACE	120	- -	L.E.D. UNIVERSAL MOUNT EXIT SIGN WITH SELF CONTAINED TWIN HEAD EMERGENCY BATTERY PACK. REFER TO DRAWINGS FOR REQUIRED ARROWS AND SPECIFIC MOUNTING.	
Y	DUAL LITE	LXURWE	SURFACE	120	2 5.4	L.E.D. REMOTE EMERGENCY BATTERY UNIT MOUNT AT 7'-6".	
Z	DUAL LITE	PGZ	SURFACE	120	- -	L.E.D. MOUNT CENTERED AND ABOVE EXIT DOOR.	

NOTE: VERIFY FINAL FIXTURE SELECTION W/ THE ARCHITECT.

FRINGE SALON AND COLOR BAR
5310 KIRBY DRIVE HOUSTON, TEXAS

REVISIONS:
PROJECT NUMBER: **1001**
DATE: **10.13.10**
ISSUE:
PERMIT
DRAWING TYPE: **RISER DIAGRAMS, LEGEND & SCHEDULES**
DRAWING NUMBER: **E1.04**