

REVISIONS:

PROJECT NUMBER:

1001

DATE:

10.13.10

ISSUE:

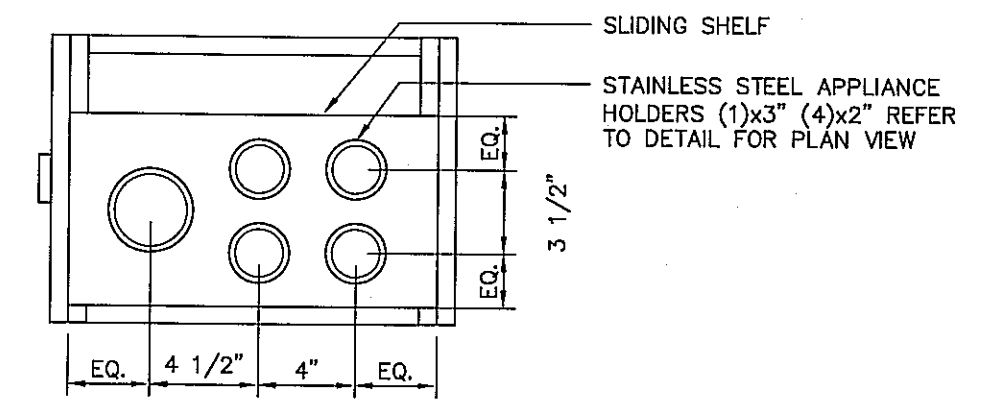
CONSTRUCT

DRAWING TYPE:

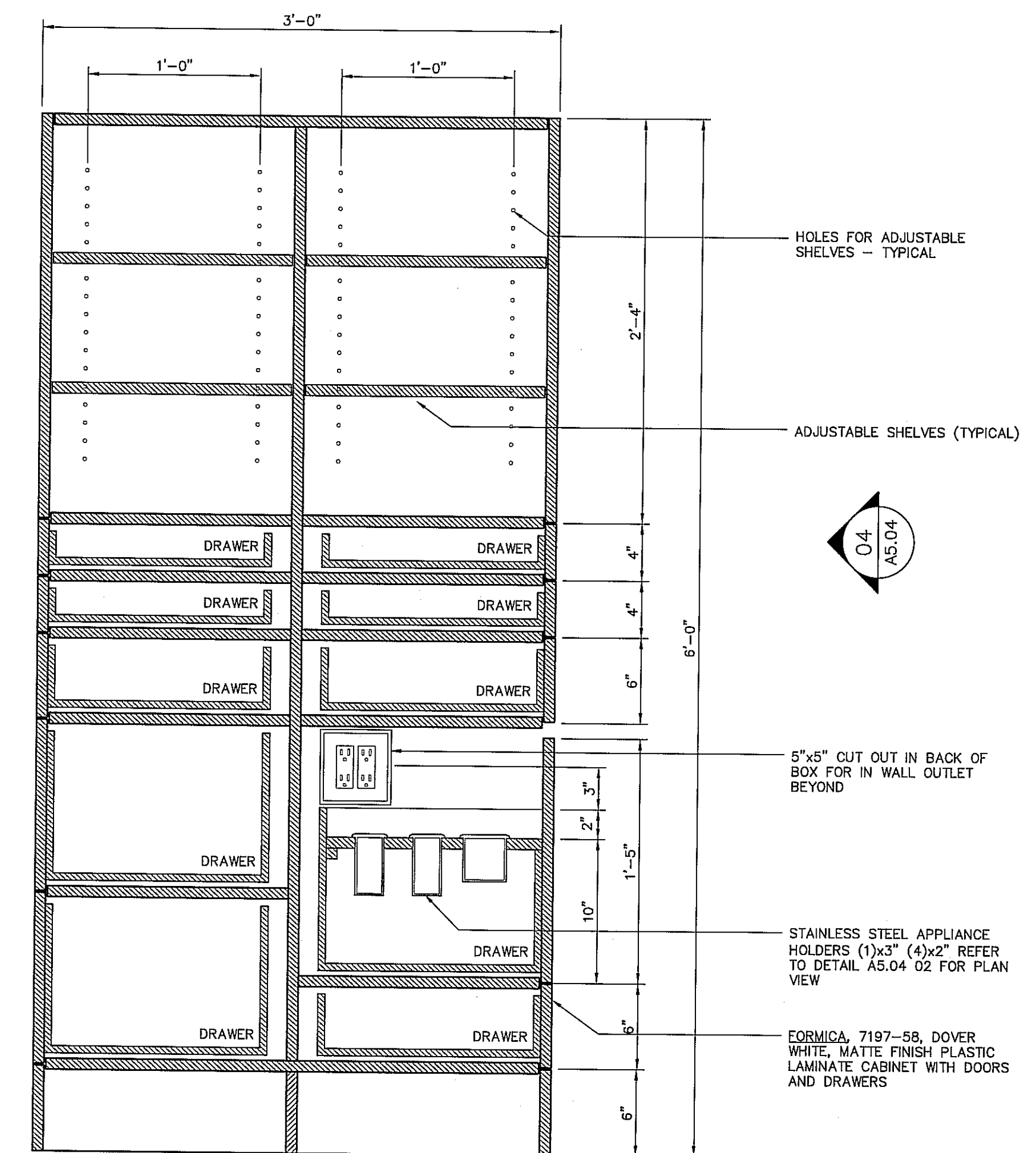
CASEWORK

DRAWING NUMBER:

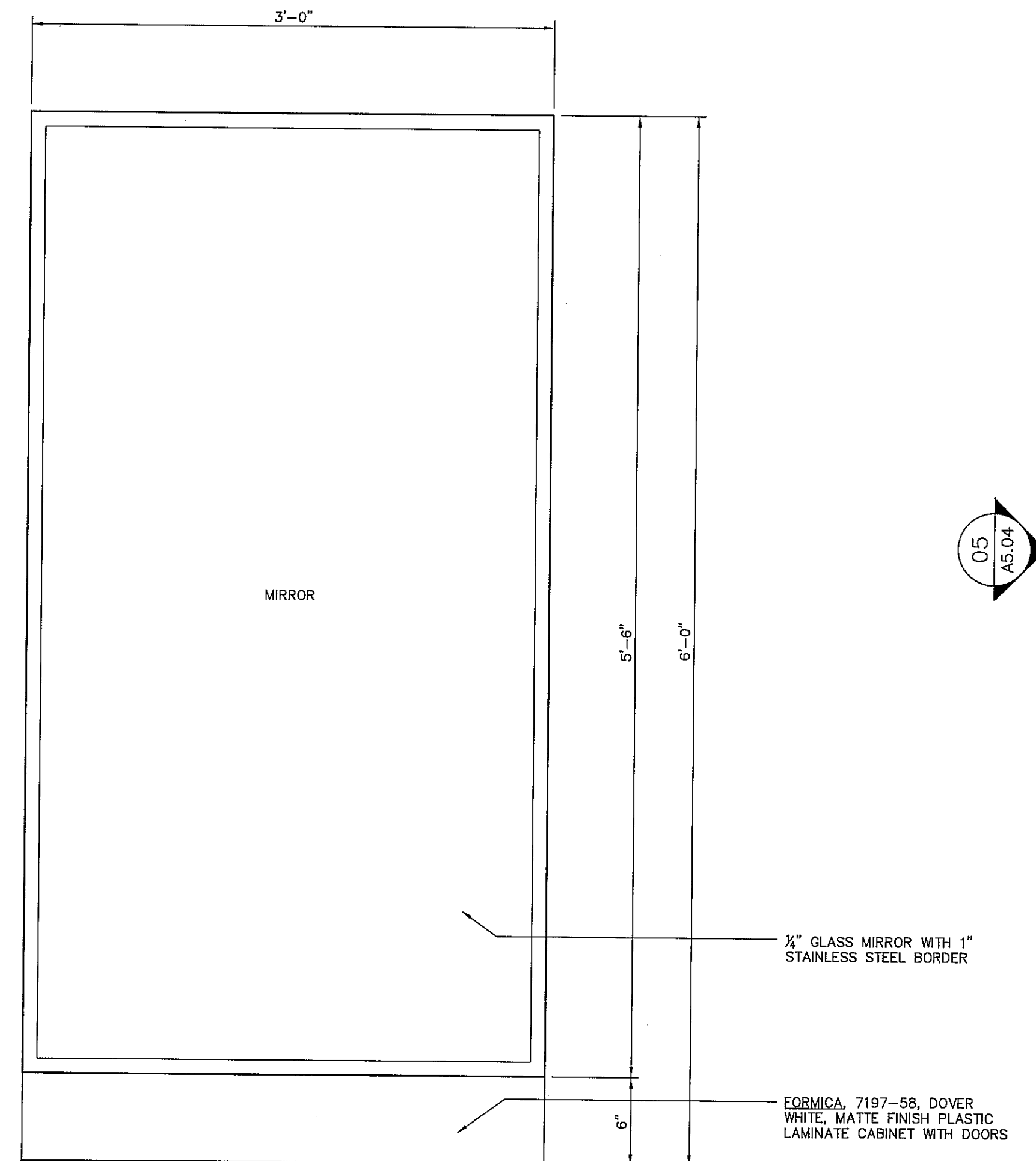
A5.04



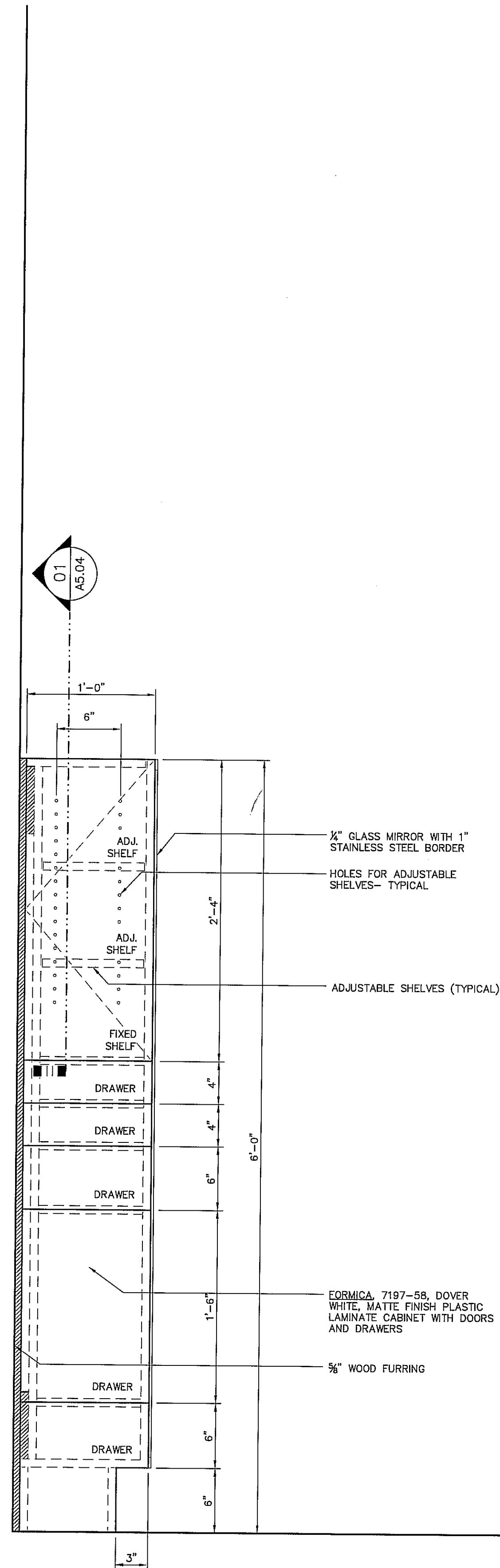
MILLWORK PLAN DETAIL 02
SCALE:1-1/2"=1'-0"



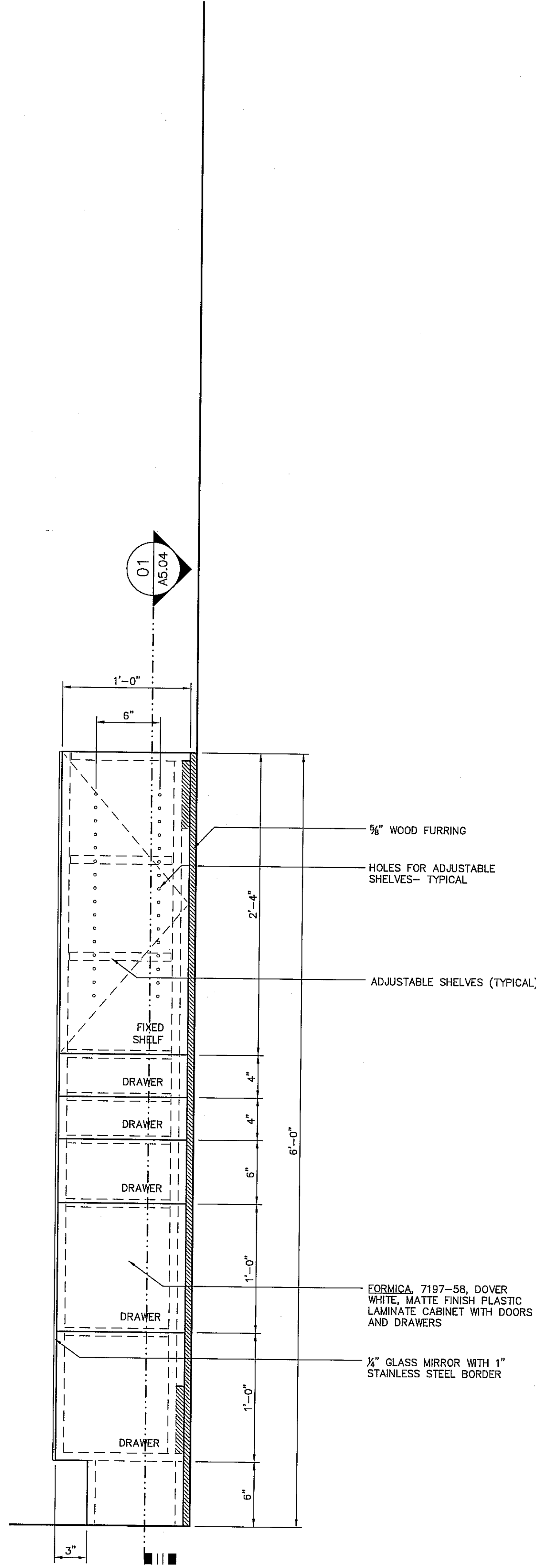
MILLWORK SECTION 01
SCALE:1-1/2"=1'-0"



MILLWORK SECTION 03
SCALE:1-1/2"=1'-0"



MILLWORK SECTION 04
SCALE:1-1/2"=1'-0"



MILLWORK SECTION 05
SCALE:1-1/2"=1'-0"

THIS DRAWING AND THE DESIGN SHOWN IS THE PROPERTY OF ART LOVE DESIGN STUDIO. THE REPRODUCTION, COPYING, OR USE OF THIS DRAWING WITHOUT THE WRITTEN CONSENT OF ART LOVE DESIGN STUDIO IS PROHIBITED AND ANY INFRINGEMENT WILL BE SUBJECT TO LEGAL ACTION. ©2010 ART LOVE DESIGN STUDIO