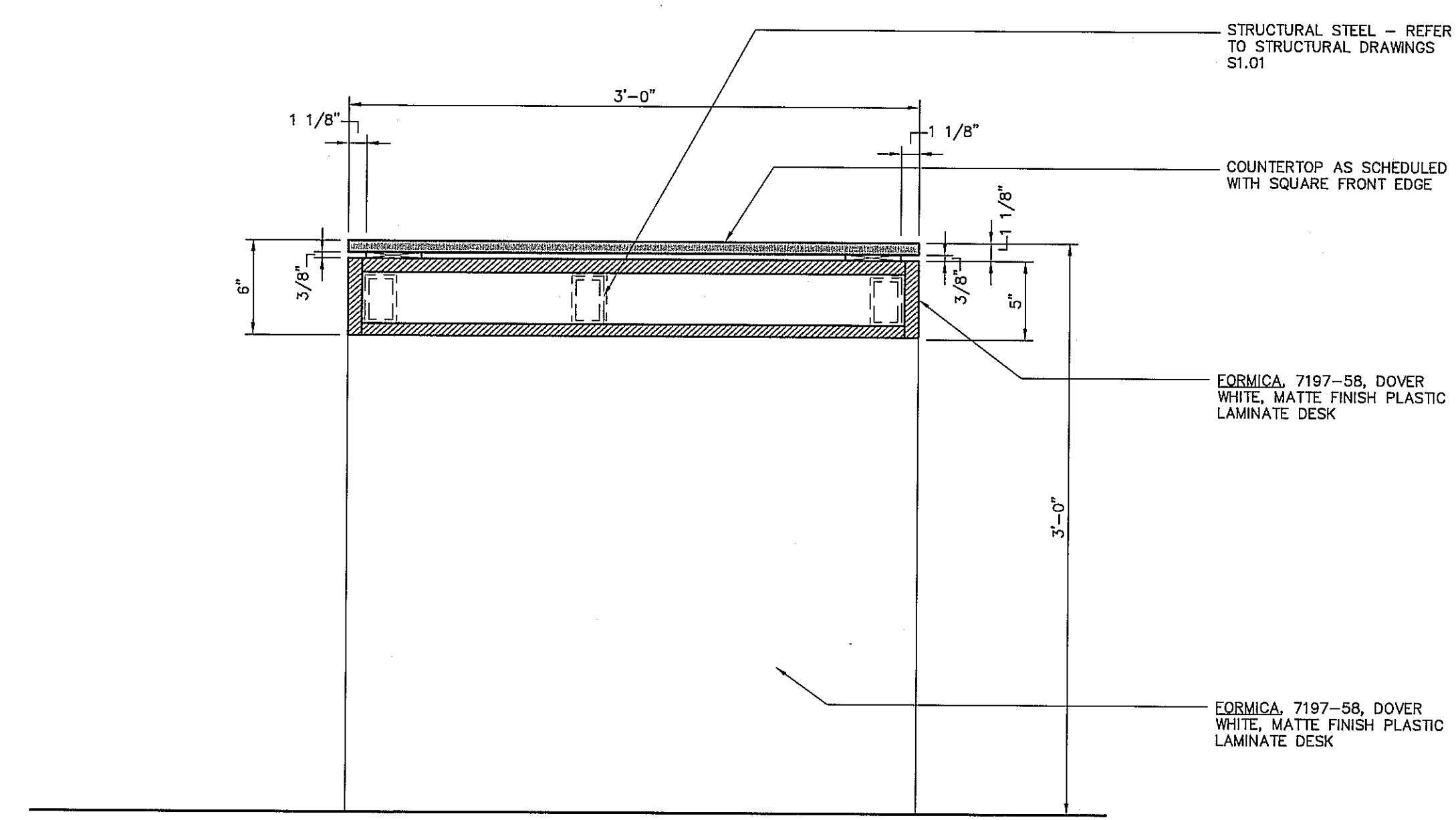


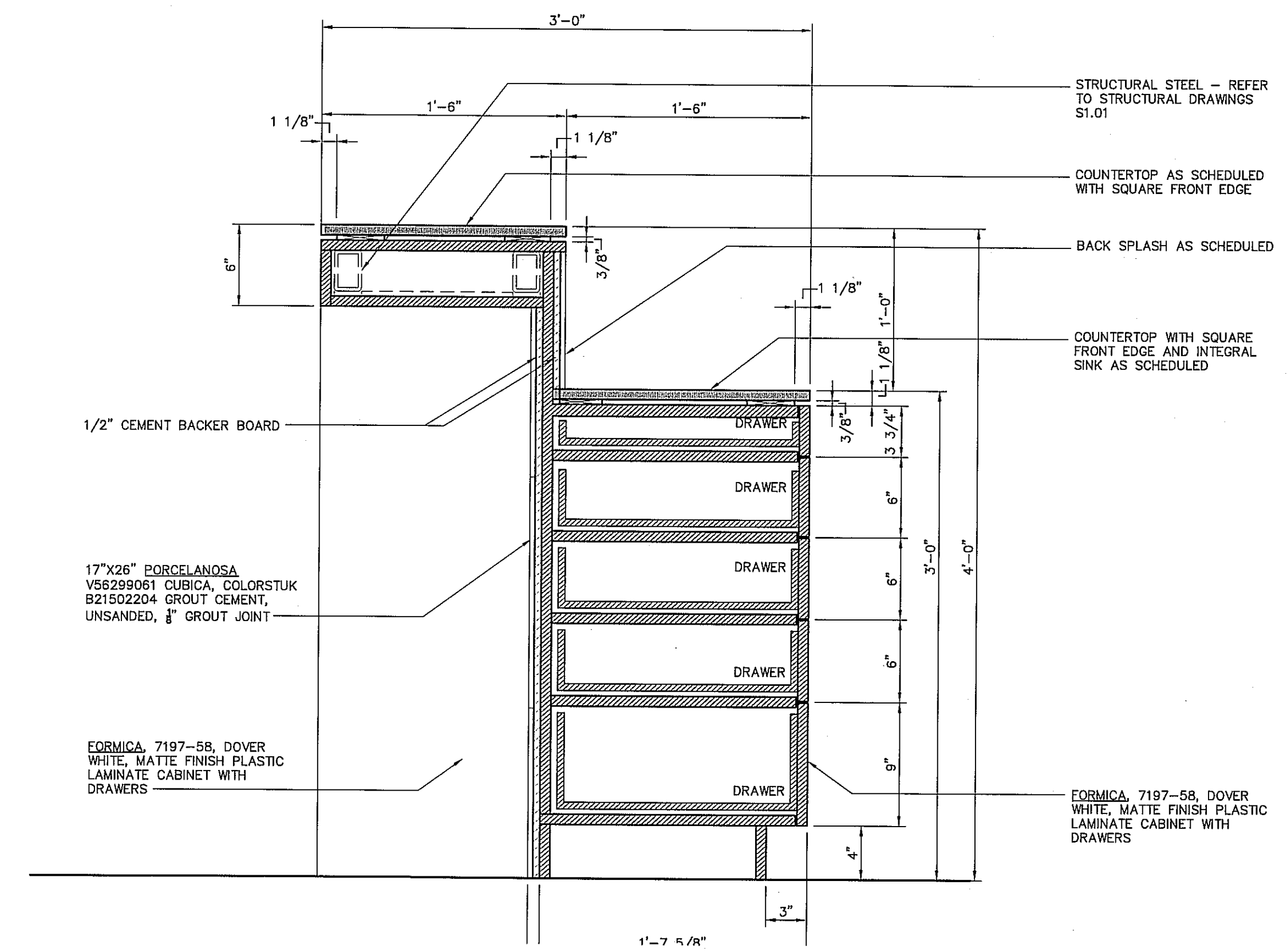
THIS DRAWING AND THE DESIGN SHOWN IS THE PROPERTY OF ART LOVE DESIGN STUDIO. THE REPRODUCTION, COPYING, OR USE OF THIS DRAWING WITHOUT THE WRITTEN CONSENT OF ART LOVE DESIGN STUDIO IS PROHIBITED AND ANY INFRINGEMENT WILL BE SUBJECT TO LEGAL ACTION. ©2010 ART LOVE DESIGN STUDIO



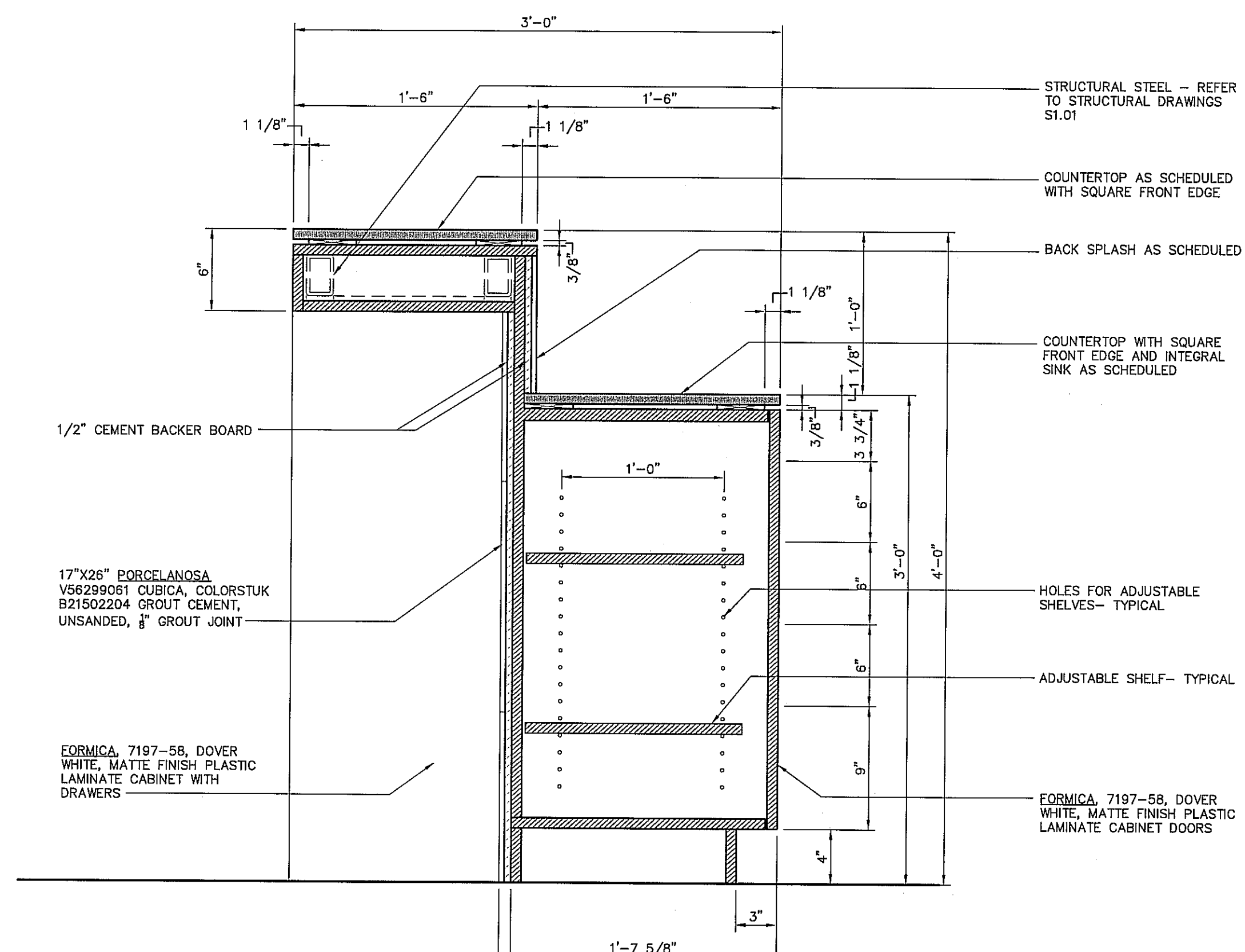
ART LOVE DESIGN STUDIO  
 6606 HUNTERS RIDGE  
 DALLAS, TX 75248  
 ph. 940.695.2739



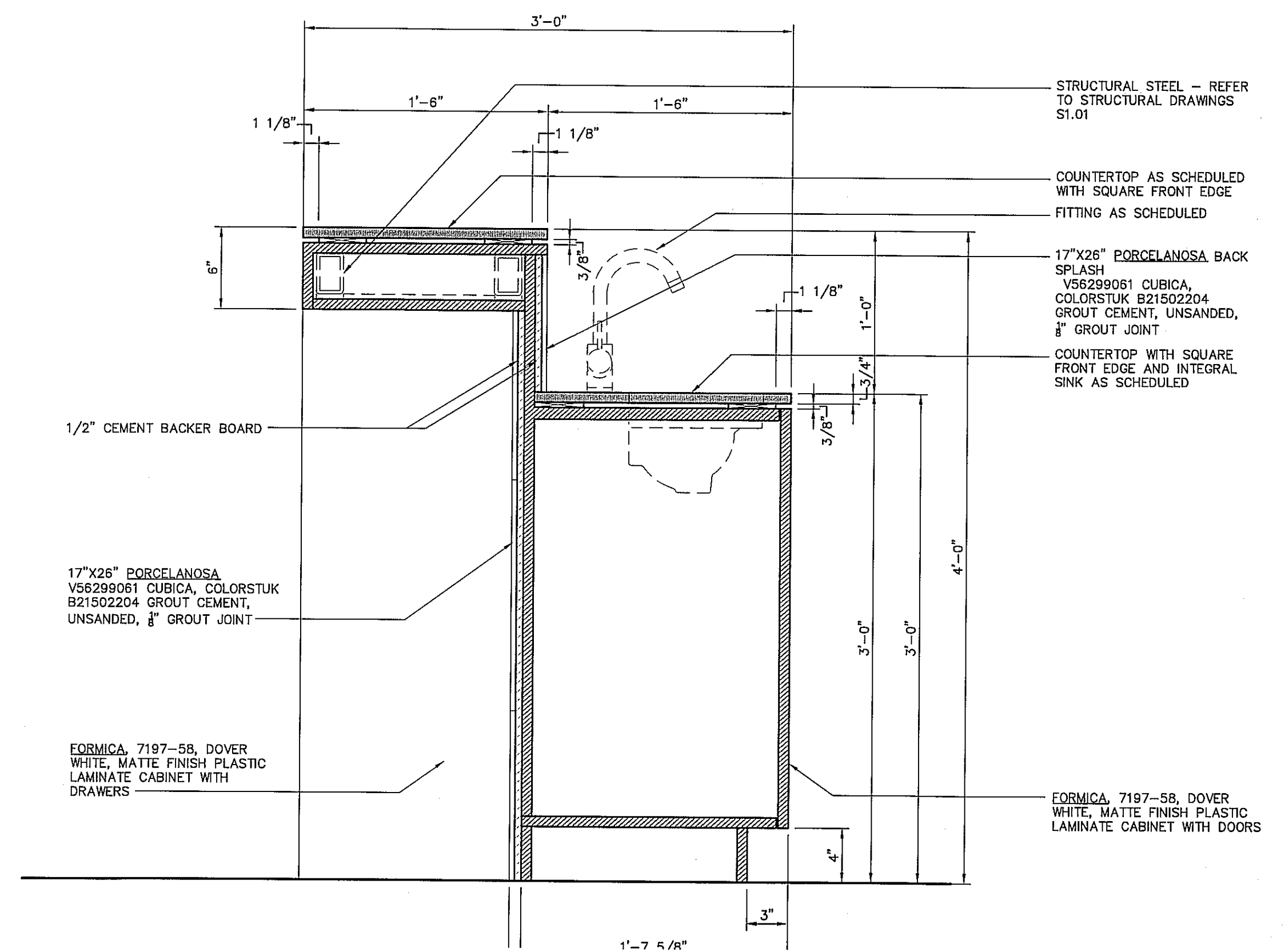
**MILLWORK SECTION 04**  
 SCALE: 1-1/2"=1'-0"



**MILLWORK SECTION 02**  
 SCALE: 1-1/2"=1'-0"



**MILLWORK SECTION 03**  
 SCALE: 1-1/2"=1'-0"



**MILLWORK SECTION 01**  
 SCALE: 1-1/2"=1'-0"

**FRINGE SALON AND COLOR BAR**  
 2400 WEST ALABAMA HOUSTON, TEXAS 77098

REVISIONS:

PROJECT NUMBER:  
**1001**  
 DATE:  
**10.13.10**  
 ISSUE:  
**CONSTRUCT**  
 DRAWING TYPE:  
**CASEWORK**  
 DRAWING NUMBER:  
**A5.03**