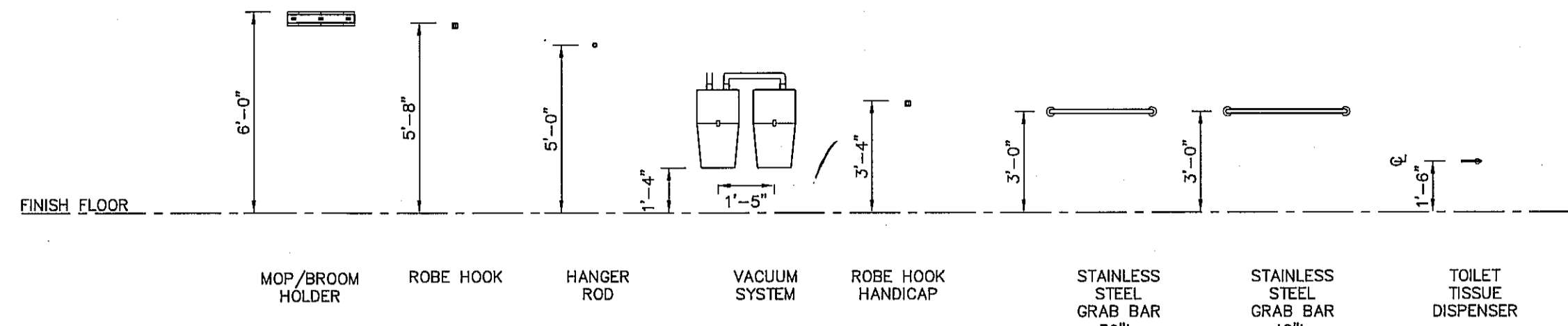


REVISIONS:

THIS DRAWING AND THE DESIGN SHOWN IS THE PROPERTY OF ART LOVE DESIGN STUDIO. THE REPRODUCTION, COPYING, OR USE OF THIS DRAWING WITHOUT THE WRITTEN CONSENT OF ART LOVE DESIGN STUDIO IS PROHIBITED AND ANY INFRINGEMENT WILL BE SUBJECT TO LEGAL ACTION. ©2010 ART LOVE DESIGN STUDIO



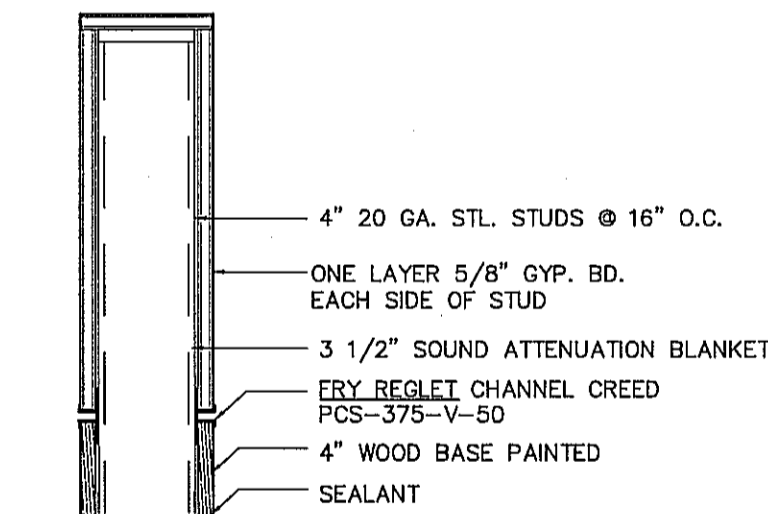
ACCESSORY HANGING HEIGHT 05
SCALE: 1/4"=1'-0"

ACCESSORY LEGEND	
VACUUM WALL SYSTEM DRAIN/VAC	DRAIN/VAC DUAL SALON - 10 GALLON COMPLETE INSTALL KIT W/ DISPOSABLE BAGS AND SILVERCLEAR MOTOR FILTER
GRAB BARS GRAB BAR A GRAB BAR B	SIGNATURE HARDWARE 36" CONTRACTOR GRADE GRAB BAR WITH CONCEALED SCREWS - STAINLESS STEEL SIGNATURE HARDWARE 42" CONTRACTOR GRADE GRAB BAR WITH CONCEALED SCREWS - STAINLESS STEEL
CLOSET RODS CLOSET ROD FLANGE	1" DIAMETER HEAVY DUTY CLOSET ROD - STAINLESS STEEL METAL OPEN FLANGE CLOSET ROD, SUPPORTS 1" DIAMETER HANGER ROD - STAINLESS STEEL

ACCESSORY SCHEDULE 04

MATERIALS LEGEND	
FLOORS MARMOLEUM	FORBO FLOORING G3 MARMOLEUM STRIATO - WELSH MOOR 5218 (R5220 S WELD)
BASE WOOD BASE A WOOD BASE B WOOD BASE C	4" PAINTED WOOD BASE - PITTSBURGH PAINTS 5518-1 COMMERCIAL WHITE, EGGSHELL 4" PAINTED WOOD BASE - PITTSBURGH PAINTS 518-5 DOVER GRAY, EGGSHELL 4" PAINTED WOOD BASE - PITTSBURGH PAINTS 402-2 BLUE LULLABY, EGGSHELL
WALLS PAINTED GYPSUM BOARD A PAINTED GYPSUM BOARD B PAINTED GYPSUM BOARD C PAINTED GYPSUM BOARD D PAINTED GYPSUM BOARD E CERAMIC WALL TILE A CERAMIC WALL TILE B CERAMIC WALL TILE C CERAMIC WALL TILE D DECORATIVE JOINT DECORATIVE EDGE	5/8" PAINTED GYPSUM BOARD - LEVEL 4 FINISH - PITTSBURGH PAINTS 5518-1 COMMERCIAL WHITE, EGGSHELL 5/8" PAINTED GYPSUM BOARD - LEVEL 4 FINISH - PITTSBURGH PAINTS 518-5 DOVER GRAY, EGGSHELL 5/8" PAINTED GYPSUM BOARD - LEVEL 4 FINISH - PITTSBURGH PAINTS 402-2 BLUE LULLABY, EGGSHELL 5/8" PAINTED GYPSUM BOARD - LEVEL 4 FINISH - PITTSBURGH PAINTS 518-6 KNIGHT'S ARMOR, EGGSHELL 5/8" PAINTED GYPSUM BOARD - LEVEL 4 FINISH - CUSTOM PAINT JOB, PITTSBURGH PAINTS 5518-1, 518-5, 402-2, 518-6 12"x35" PORCELANOSA P34701711 GLASS ACIDO - COLORSTUK GROUT B24302021 CRYSTAL ACID, UNSAUNDED, 1/8" GROUT JOINT 13"x40" PORCELANOSA V13899811 CUBICA MARFIL - COLORSTUK GROUT B21502209 MARFIL, UNSAUNDED, 1/8" GROUT JOINT 13"x24" INTERCERAMIC SPA WHITE GLOSSY - CBP GROUT #381 BRIGHT WHITE, UNSAUNDED, 1/8" GROUT JOINT 17"x26" PORCELANOSA V56299061 CUBICA - COLORSTUK GROUT B21502204 CEMENT, UNSAUNDED, 1/8" GROUT JOINT 1"x8", 1/2"x8" PORCELANOSA 573122004 PRO-PART ANODIZED ALUMINUM 1/4"x8"-2 1/2" SCHLUTER A&B SATIN ANODIZED ALUMINUM
CEILING PAINT	PITTSBURGH PAINTS BLACK
COUNTERTOP QUARTZ SURFACING A QUARTZ SURFACING B PLASTIC LAMINATE	CAESARSTONE 4120 RAVEN - 2CM POLISHED OXITE 1665 BIANCO ASSOLUTO - 2CM ESRMOCA 7197-58 DOVER WHITE, MATTE FINISH

FINISH MATERIAL KEY 03



BASE DETAIL 06

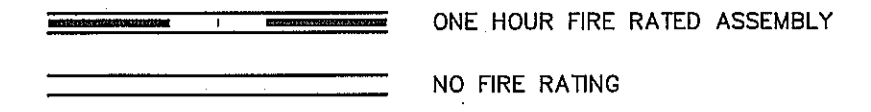
ROOM FINISH SCHEDULE										
ROOM NAME / NO.	FLOOR	NORTH	EAST	SOUTH	WEST	CEILING	COUNTERTOP	CLG. HT.	REMARKS	No.
RECEPTION	101	OS-A (PAINTED GYP. BOARD)	OS-A (PAINTED GYP. BOARD)	OS-A (PAINTED GYP. BOARD)	OS-A (PAINTED GYP. BOARD)	PAINT	OS-A (QUARTZ SURFACING)	9'-6"	VARRIES	101
FLEX	102	OS-B (PAINTED GYP. BOARD)	OS-B (PAINTED GYP. BOARD)	OS-B (PAINTED GYP. BOARD)	OS-B (PAINTED GYP. BOARD)	PAINT	OS-B (QUARTZ SURFACING)	9'-6"	VARRIES	102
COLOR BAR	103	OS-C (PAINTED GYP. BOARD)	OS-C (PAINTED GYP. BOARD)	OS-C (PAINTED GYP. BOARD)	OS-C (PAINTED GYP. BOARD)	PAINT	OS-C (QUARTZ SURFACING)	9'-6"	VARRIES	103
CHANGING ROOM	104	OS-D (PAINTED GYP. BOARD)	OS-D (PAINTED GYP. BOARD)	OS-D (PAINTED GYP. BOARD)	OS-D (PAINTED GYP. BOARD)	PAINT	OS-D (QUARTZ SURFACING)	9'-6"	VARRIES	104
CHANGING ROOM	105	OS-E (PAINTED GYP. BOARD)	OS-E (PAINTED GYP. BOARD)	OS-E (PAINTED GYP. BOARD)	OS-E (PAINTED GYP. BOARD)	PAINT	OS-E (QUARTZ SURFACING)	9'-6"	VARRIES	105
BREAK ROOM	106	OS-F (PAINTED GYP. BOARD)	OS-F (PAINTED GYP. BOARD)	OS-F (PAINTED GYP. BOARD)	OS-F (PAINTED GYP. BOARD)	PAINT	OS-F (QUARTZ SURFACING)	9'-6"	VARRIES	106
OFFICE	107	OS-G (PAINTED GYP. BOARD)	OS-G (PAINTED GYP. BOARD)	OS-G (PAINTED GYP. BOARD)	OS-G (PAINTED GYP. BOARD)	PAINT	OS-G (QUARTZ SURFACING)	9'-6"	VARRIES	107
WATER CLOSET 1	108	OS-H (PAINTED GYP. BOARD)	OS-H (PAINTED GYP. BOARD)	OS-H (PAINTED GYP. BOARD)	OS-H (PAINTED GYP. BOARD)	PAINT	OS-H (QUARTZ SURFACING)	9'-6"	VARRIES	108
ADA WATER CLOSET	109	OS-I (PAINTED GYP. BOARD)	OS-I (PAINTED GYP. BOARD)	OS-I (PAINTED GYP. BOARD)	OS-I (PAINTED GYP. BOARD)	PAINT	OS-I (QUARTZ SURFACING)	9'-6"	VARRIES	109
SHAMPOO ROOM	110	OS-J (PAINTED GYP. BOARD)	OS-J (PAINTED GYP. BOARD)	OS-J (PAINTED GYP. BOARD)	OS-J (PAINTED GYP. BOARD)	PAINT	OS-J (QUARTZ SURFACING)	9'-6"	VARRIES	110
STYLING AREA	111	OS-K (PAINTED GYP. BOARD)	OS-K (PAINTED GYP. BOARD)	OS-K (PAINTED GYP. BOARD)	OS-K (PAINTED GYP. BOARD)	PAINT	OS-K (QUARTZ SURFACING)	9'-6"	VARRIES	111

ROOM FINISH SCHEDULE 02

PLAN NOTES

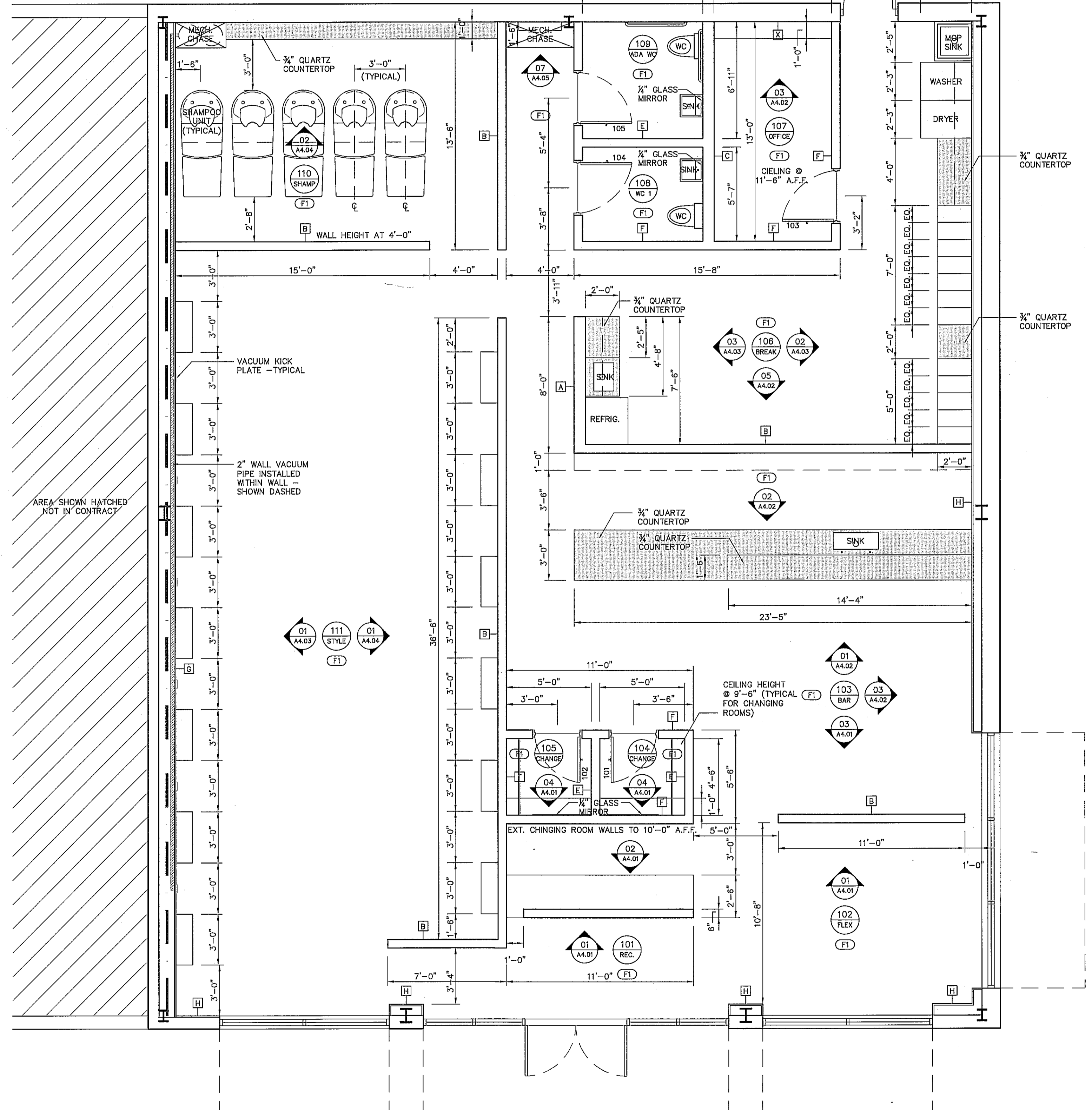
- CONTRACTOR TO FIELD VERIFY ALL EXISTING CONDITIONS PRIOR TO STARTING WORK
- DIMENSIONS SHOWN ARE TO FACE OF ARCHITECTURAL FINISH UNLESS NOTED OTHERWISE (U.N.O.)
- CONTRACTOR TO VERIFY NOTED DIMENSIONS AS CONSTRUCTION PROCEEDS.
- SCOPE OF WORK AREA TO HAVE CEILING APPLIED WITH UL CLASS 125 1 HOUR FIREPROOFING IN ACCORDANCE WITH 2003 IBC
- INTERIOR WALLS AT 12'-0" A.F.F. UNLESS OTHERWISE NOTED.
- WHERE REQUIRED AS PART OF THE WORK, CUTTING AND PATCHING OF EXISTING MATERIALS AND FINISH SHALL BE WITH IDENTICAL MATERIALS AND FINISHES, BLENDED TO FLUSH, SMOOTH, AND OTHERWISE INDISTINGUISHABLE FROM ADJACENT SURFACES UNTOUCHED.
- DOOR SWINGS AS INDICATED ON PLAN
- DOORS INDICATED THUS: 100 REFER TO SHEET A1.01/01 FOR DOOR SCHEDULE
- ALL DOORS SHOWN WITHOUT DOOR NUMBER DESIGNATIONS ARE EXISTING DOORS TO REMAIN
- PARTITIONS INDICATED THUS: REFER TO SHEET A1.01/03 FOR PARTITION TYPES

FLOOR FINISH TYPES:



WALL RATING LEGEND

(F1) 2.5mm THICK FORBO G3 MARMOLEUM STRIATO FLOORING WELSH MOOR 5218



LEVEL ONE FLOOR PLAN 01
SCALE: 1/4"=1'-0"