

GREASE INTERCEPTOR SCHEDULE

MODEL NO.	CAPACITY (GALLONS)	GREASE CAP. (LBS)	EMPTY (LBS)	LENGTH (\"/>				
GT-5000	5,000	11,000	20,000	18'-0"	8'-6"	8'-0"	8'-6"	8'-6"
GT-7000	7,000	15,300	28,000	18'-0"	8'-0"	8'-0"	7'-11"	7'-8"
GT-8000	8,000	18,480	35,000	18'-0"	8'-0"	10'-0"	8'-6"	8'-6"
GT-9000	9,000	21,000	39,000	18'-0"	8'-0"	10'-0"	8'-6"	8'-6"
GT-10000	10,000	23,100	43,000	21'-2"	11'-2"	8'-6"	7'-5"	7'-2"
GT-11000	11,000	25,410	46,000	21'-2"	11'-2"	8'-6"	8'-2"	8'-0"
GT-12000	12,000	27,220	49,000	21'-2"	11'-2"	10'-0"	8'-6"	8'-6"
GT-13000	13,000	30,020	53,000	21'-2"	11'-2"	10'-0"	8'-2"	8'-0"
GT-14000	14,000	32,340	57,000	21'-2"	11'-2"	11'-2"	8'-11"	8'-6"
GT-15000	15,000	34,650	61,000	21'-2"	11'-2"	12'-2"	10'-11"	10'-8"

OTHER SIZES ARE AVAILABLE. CONTACT US FOR MORE INFORMATION.

Engineering Data
The grease interceptor is structurally & hydraulically engineered to conform to regional plumbing codes recommended in most cities. Consult with local authorities for specific application requirements.
Shop drawings shall include complete structural & buoyancy calculations certified by a licensed professional engineer.
Consult with Park Equipment Company for exact excavation dimensions & shipping information.

PARK ENVIRONMENTAL EQUIPMENT 888-811-PARK www.park-usa.com
"Expect the Best"

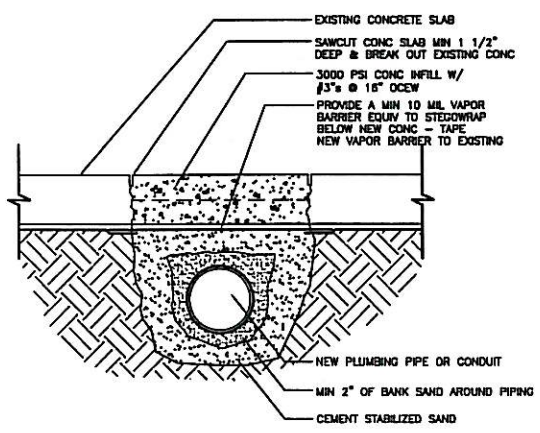
GREASE INTERCEPTOR SERIES GT 5000 THRU 15000 GALLON CAPACITY

SCALE	NONE	DWG. NO.	REV.
DATE	12/08	GT-2	A

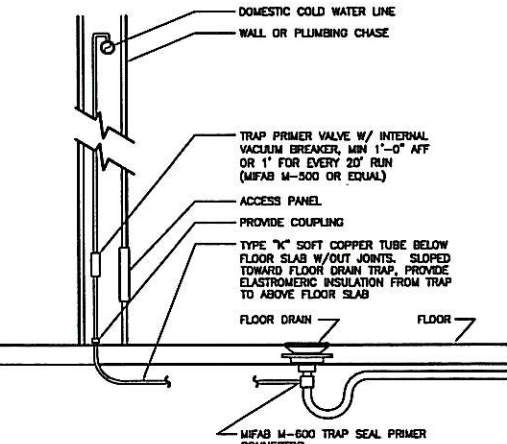
PLUMBING FIXTURE SCHEDULE:

ITEM	DESCRIPTION	MIN PIPE SIZE	QTY	GPM	TOTAL
WC	WATER CLOSET (BARRIER FREE) AMERICAN STANDARD "MADERA" #2305.100 16-1/8" FLOOR MOUNTED FLUSH VALVE, ELONGATED BOWL, 1.6 GPF, VT CHINA, SIPHON JET, WITH "SLOAN ROYAL" G2-8111 FLUSH VALVE, DEMAS #1955CT HD OPEN FRONT WHITE SEAT, C.P. SUPPLY & STOP	1"	5	1.6	8
UR	URINAL (BARRIER FREE) MOUNTED TOP OF RIM 17" AFF AMERICAN STANDARD "WASHEROOK" #6501.010 WALL MOUNTED, 1.0 GPF, VT CHINA, TOP STUB WITH "SLOAN ROYAL" G2-8185 FLUSH VALVE, PROVIDE WITH CARRIER	3/4"	2	1.0	2
LV	LAVATORY SOLID SURFACE BOWL WITH INTEGRAL TO THE CORIAN COUNTER TOP BY GC PC TO SUPPLY AND INSTALL SLOAN ET-600 SINGLE LEVER FAUCET WITH P-TRAP, 3/8" CP SUPPLIES & STOPS, TRUEBRO #102 P-TRAP, ANGLE VALVE AND SUPPLY COVERS. SUPPLY WITH WATTS MMV MIXING VALVE SET TEMP AT 120 DEGREES	3/8"	4	1.0	4
WH	WATER HEATER 40 SMITH CYCLONE MODEL 87H-199, 100 GAL STORAGE CAPACITY, 98% EFFICIENCY, 190,000 BTU INPUT NAT GAS, 227 GPH RECOVERY @ 100 DEGREES F RISE, WITH P&T VALVE CONCENTRIC VENT TERMINATION KIT FOR ROOF INSTALLATION TO MANUFACTURER'S INSTALLATION INSTRUCTION EXPANSION TANK AMTROL THERM-X-TROL #5T-12, INSTALLED IN ACCORDANCE TO MANUFACTURER'S INSTALLATION INSTRUCTION				
MS	MOP SINK FIAT #452424: 24"x24"x10" DEEP WHITE MOLDED STONE MOP BASH WITH 1" WIDE SHOULDERS, 3" STAINLESS STEEL STRAINER, RIM GUARD, SPLASH GUARD AND MOP SINK HOLDER CHICAGO FAUCET #897 CHROME PLATED, STOPS IN SHANKS, HOSE OUTLET SPOUT, BUCKET HOLDER, LEVER HANDLES, INTEGRAL VACUUM BREAKER	1/2"			
HS	HAND SINK SINK & TRIM BY OTHERS PC TO ROUGH IN AND MAKE FINAL CONNECTION PC TO PROVIDE P-TRAP, CP SUPPLY & STOPS	1/2"	6	2.2	13.2
FD	FLOOR DRAIN ZURN #Z-415-B CAST IRON FLANGE, NICKEL BRASS, 6" ROUND STRAINER WITH BOTTOM OUTLET, SEPRATE P-TRAP, NOT FLASHED				
FS	FLOOR SINK ZURN #Z-1901-2-11 CAST IRON, SQUARE FLOOR SINK, NICKEL BRASS, HALF-GRATED, SHALLOW ALUMINUM SEDIMENT BUCKET, ACID RESISTANT PORCELAIN ENAMELED INTERIOR, 12"x12"x3" DEEP, BOTTOM OUTLET, SEPRATE P-TRAP, NOT FLASHED	1/2"	2	2.2	4.4
TOTAL WATER CONSUMPTION RATE					31.8

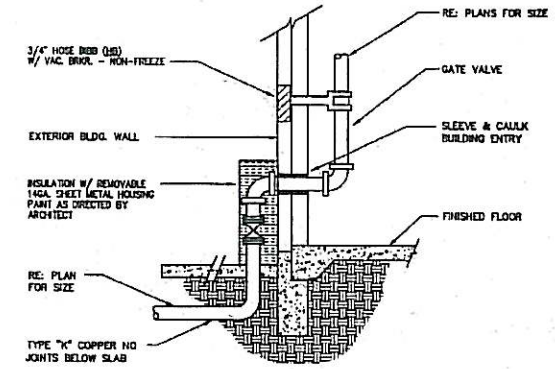
NOTE: ALL FIXTURES, FITTING, ACCESSORIES MUST BE A.D.A STANDARD



SLAB REMOVAL DETAIL
NTS



TRAP PRIMER
NTS



WATER ENTRY DETAIL
NTS



10/27/10

STRATEM DESIGNS

1500 IL POST OAK, SUITE 100
HOUSTON, TEXAS 77055

PHONE: (832) 434-7547
FAX: 1-(866) 488-1258

DESIGNER: NICHOLAS NGUYEN

Don Julio's
Mexican Restaurant

9009 SIENNA
RETAIL BUILDING B
MISSOURI, TEXAS 77459

PLUMBING
DETAILS &
SCHEDULE

Sheet Number:

P-1.3