

DOOR SCHEDULE

Door ID	LOCATION		DOOR							HARDWARE			
	From	To	Width	Height	Thick	Type	Material	Interior Finish	Exterior Finish	Glass	Hardware	Locks	Notes
1	Entry	Lobby	3'-0" PR	7'-0"	1 3/4"	Wood	Wood	Stain	Stain	T.B.D.	Entry Pull and Push Plate	Bolt	
2	Bar	Patio	3'-0"	7'-0"	1 3/4"	Store Front	Metal	Match Existing	Match Existing	Tempered	Panic Bar	Panic Lock	
3	Alley	Riser Room	Existing	Existing	Existing	Existing	Existing	Existing	Existing	Existing	Existing	Bolt and Latch	Existing
4	Alley	Kitchen	Existing	Existing	Existing	Existing	Existing	Existing	Existing	Existing	Existing	Bolt and Latch	Existing
5	Dining C	Emergency Egress	3'-0"	7'-0"	1 3/4"	Store Front	Metal	Match Existing	Match Existing	Tempered	Panic Bar	Panic Lock	
6	Bar	Patio Reach Through	3'-0"	7'-0"	1 3/4"	Store Front	Metal	Match Existing	Match Existing	Tempered	Keyed Latch	Keyed Lock	
7	Bar	Patio Reach Through	3'-0"	7'-0"	1 3/4"	Store Front	Metal	Match Existing	Match Existing	Tempered	Keyed Latch	Keyed Lock	
8	Hallway	Men's Restroom	3'-0"	7'-0"	1 3/4"	Customer Selection	Wood	Stain	Stain	Tempered	Push Plate and Pull Bar		
9	Hallway	Women's Restroom	3'-0"	7'-0"	1 3/4"	Customer Selection	Wood	Stain	Stain	Tempered	Push Plate and Pull Bar		
10	Bus/Walk	Kitchen	3'-0"	7'-0"	1 3/4"	Elison Swing Door	Wood	Factory	Factory				
11	Bar	Kitchen	3'-0"	7'-0"	1 3/4"	Elison Swing Door	Wood	Factory	Factory				
12	Kitchen	Employee Restroom	3'-0"	7'-0"	1 3/4"	Flat Slab	Wood	P-Lam	P-Lam	None	ADA Lever	Privacy	
13	Hallway	Secure Storage	3'-0"	7'-0"	1 3/4"	Flat Slab	Wood	P-Lam	P-Lam	None	ADA Lever	Master Keyed	
14	Hallway	Office	3'-0"	7'-0"	1 3/4"	Flat Slab	Wood	P-Lam	P-Lam	None	ADA Lever	Master Keyed	
15	Hallway	Mechanical	3'-0"	7'-0"	1 3/4"	Flat Slab	Wood	P-Lam	P-Lam	None	ADA Lever	Master Keyed	
16	Office	Data	3'-0"	7'-0"	1 3/4"	Flat Slab	Wood	P-Lam	P-Lam	None	ADA Lever	Master Keyed	
G1	Patio	Parking Lot	4'-0"	3'-6"	Match	Metal	Iron	Painted	Painted	None	Panic Hardware	N/A	
G2	Patio	Parking Lot	4'-0"	3'-6"	Match	Metal	Iron	Painted	Painted	None	Panic Hardware	N/A	

DOOR HARDWARE

TYPE A: (MAIN ENTRY DOORS)
 6 HINGES HAGER BB1279 (4 1/2"x4 1/2") x US4 HINGES
 2 EXIT DEVICES, TOUCHBAR SERIES 99 BY VAN DUPRIN US4 FIN.
 2 CYLINDERS, TYPE A8 REQUIRED
 2 PULLS 4G (8") US4 FIN. BY HAGER
 4 PUSH/PULL PLATES 40R BY HAGER, 3"x12" US4 FIN.
 2 STOPS, IVES 436 OR 401 1/2 AS REQUIRED, US4 FIN.
 2 CLOSERS, NORTON 1604 BF BRONZE
 4 KICK PLATES, 6" HIGH 2208 BY HAGER US4 FIN.
 1 SET WEATHERSTRIPPING, NATIONAL GUARD IZONA
 1 THRESHOLD, NATIONAL GUARD 425
 1 REMOVABLE MULLION

TYPE B: (DINING TO VESTIBULE)
 3 HINGES HAGER BB1279 (4 1/2"x4 1/2") x US4 HINGES
 2 PULLS 4G (8") US4 FIN. BY HAGER
 4 PUSH/PULL PLATES 40R BY HAGER, 3"x12" US4 FIN.
 2 STOPS, IVES 436 OR 401 1/2 AS REQUIRED, US4 FIN.
 2 CLOSERS, NORTON 1604 BF BRONZE
 4 KICK PLATES, 6" HIGH 2208 BY HAGER US4 FIN.

TYPE C: (WATER HEATER TO EXTERIOR)
 3 HINGES HAGER BB198NRP 4 1/2"x4 1/2" x US4D
 1 LOCKSET YALE AU5408L x US4D (LEVER)
 1 SET WEATHERSTRIPPING, NATIONAL GUARD IZONA
 1 DOOR SWEEP, NATIONAL GUARD 101VA

TYPE D: (KITCHEN TO EXTERIOR)
 CONT. STAINLESS STEEL FINANO HINGE
 1 EXIT DEVICE, DETEX ECL-8050
 1 CYLINDER, TYPE A8 REQUIRED
 1 FULL, YALE 532
 1 CLOSER, NORTON CLP 1605-T
 1 THRESHOLD, NATIONAL GUARD 324 (HALF SADDLE).
 1 SET WEATHERSTRIPPING, NATIONAL GUARD IZONA.
 1 DOOR SWEEP, NATIONAL GUARD 101VA
 1 LATCH GUARD, IVES 182832D
 WARMACK-HERSEY - 1 "DOOR SCOPE" 180 DEG. DOOR VIEWER.

TYPE E: (KITCHEN TO OFFICE)
 3 HINGES, HAGER BB1279 (4-1/2"x4-1/2") x US4D
 1 LOCKSET, YALE AU 5408L (CLASSROOM) x US4D (LEVER)
 2 KICKPLATE, 10" x 2" LESS THAN DOOR WIDTH,
 DARK BROWN
 1 STOP, IVES 436 OR 401 1/2 AS REQUIRED
 1 CLOSER, NORTON 1603 BF, SATIN BRASS

TYPE F: (DINING TO RESTROOM)
 3 HINGES, HAGER BB1279 (4-1/2"x4-1/2") x US4 (SATIN BRASS)

1 FULL, HAGER 36N x US4 (SATIN BRASS)

1 PUSH, HAGER 30S (4" x 16") x US4 (SATIN BRASS)

1 KICKPLATE, 10" x 2" LESS THAN DOOR WIDTH, US4 (SATIN BRASS), PUSH SIDE

1 STOP, IVES 436 OR 401 1/2 AS REQUIRED x US4 (SATIN BRASS)

1 CLOSER, NORTON 1603 BF, SATIN BRASS

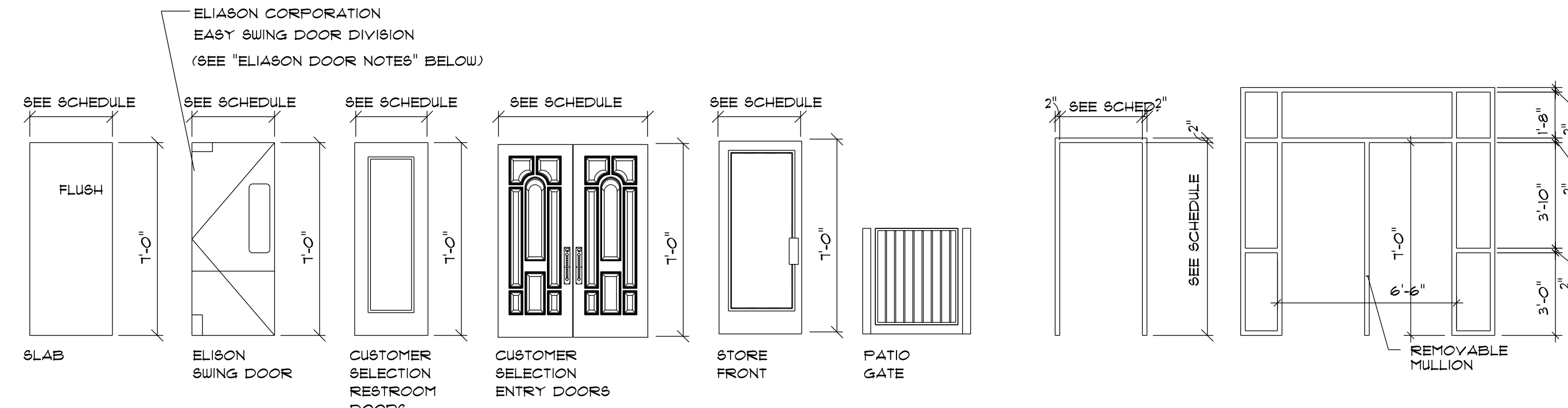
TYPE G: (WOMEN'S TOILET STALLS)
 HINGES, 3 HINGES HAGER, BUTT BB 1279 26D
 6CHLAGE- 1 "A408 LOCKSET 8AT 26D

TYPE H: (DINING TO EXTERIOR)
 3 HINGES HAGER BB1279 (4 1/2"x4 1/2") x US4 HINGES
 2 EXIT DEVICES, TOUCHBAR SERIES 99 BY VAN DUPRIN US4 FIN.
 2 CYLINDERS, TYPE A8 REQUIRED
 1 FULL 4G (8") US4 FIN. BY HAGER
 1 STOP, IVES 436 OR 401 1/2 AS REQUIRED, US4 FIN.
 1 CLOSER, NORTON 1604 BF BRONZE
 2 KICK PLATES, 6" HIGH 2208 BY HAGER US4 FIN.
 1 SET WEATHERSTRIPPING, NATIONAL GUARD IZONA
 1 THRESHOLD, NATIONAL GUARD 425

NOTES:
 ALL WOOD DOORS TO BE SELECT (OR BETTER) GRADE OAK
 1. REFER ALSO TO SPECIFICATIONS.
 2. COORDINATE THRESHOLD REQUIREMENTS WITH SPECIFIC DOOR APPLICATIONS AND CONDITIONS. ALL THRESHOLDS SHALL MEET BARRIER FREE REQUIREMENTS

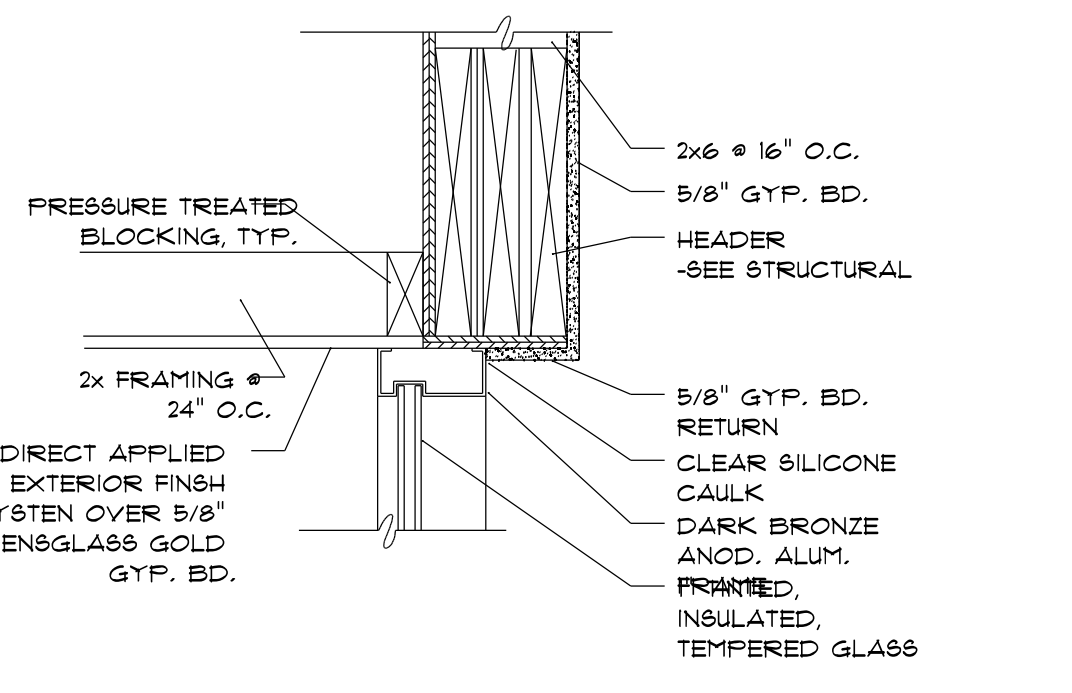
ELIASON DOOR NOTES:
 ELIASON CORPORATION
 EASY SWING DOOR DIVISION
 MODEL "LUP" MEDIUM DUTY, TEMPERED ALUMINUM TRAFFIC DOOR W/ THE FOLLOWING OPTIONS:

- FINISH - SELECTED BY ARCHITECT FROM STANDARD MANUF. COLORS
- STAINLESS STEEL HINGES
- SPECIAL "T" TOP BRACKETS
- 88/86 STAINLESS STEEL
- IMPACT PLATES BOTH SIDES
- SATIN ANOD. ALUM. BUMPER STRIPS BOTH SIDES SHIP LOOSE
- STAINLESS STEEL JAMB GUARDS
- HVT DTY BOTTOM HARDWARE ASSEMBLY
- 3/16 x 3/4 CLEAR ACRYLIC WINDOW SET IN BLACK RUBBER MOULDING

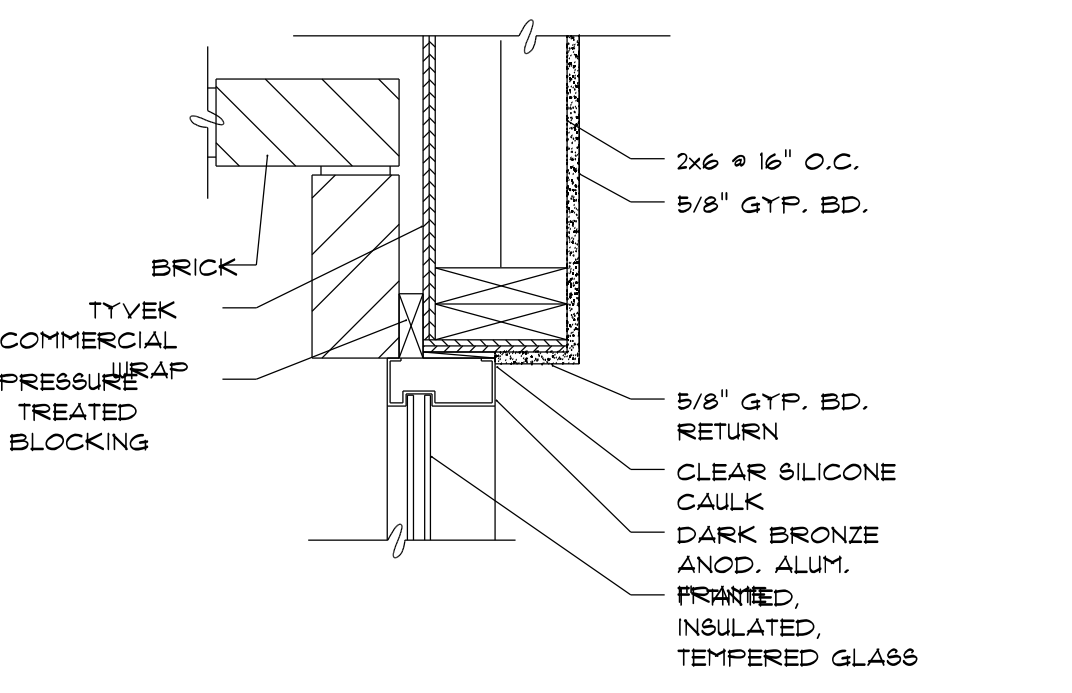


DOOR TYPES

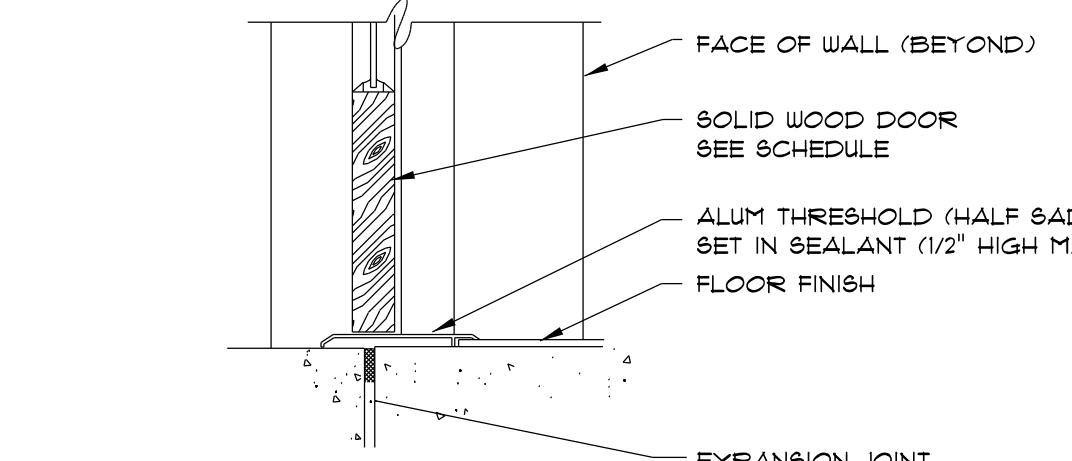
FRAME TYPES



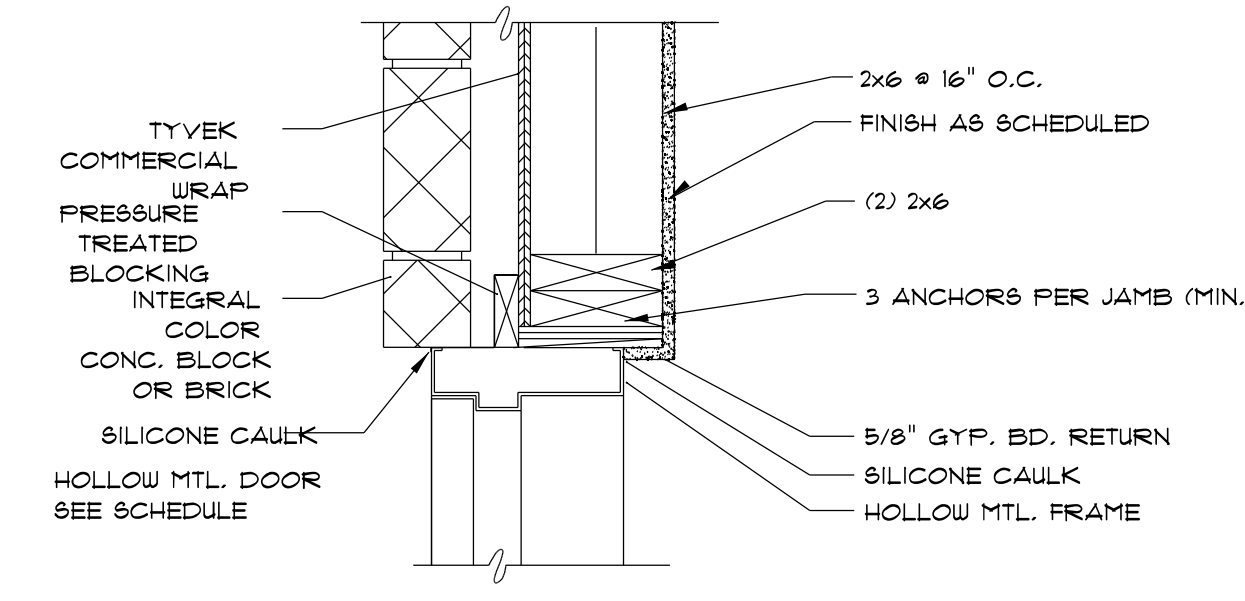
ENTRY DOOR SYSTEM HEAD DETAIL
 SCALE: 1 1/2" = 1'-0"



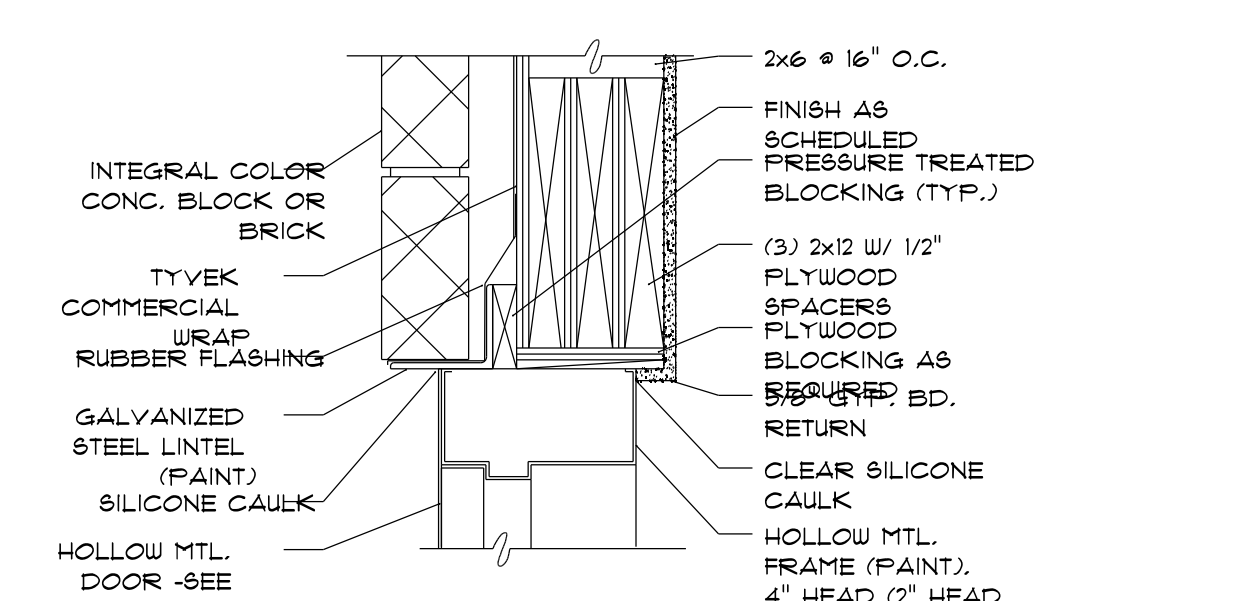
ENTRY DOOR SYSTEM JAMB DETAIL
 SCALE: 1 1/2" = 1'-0"



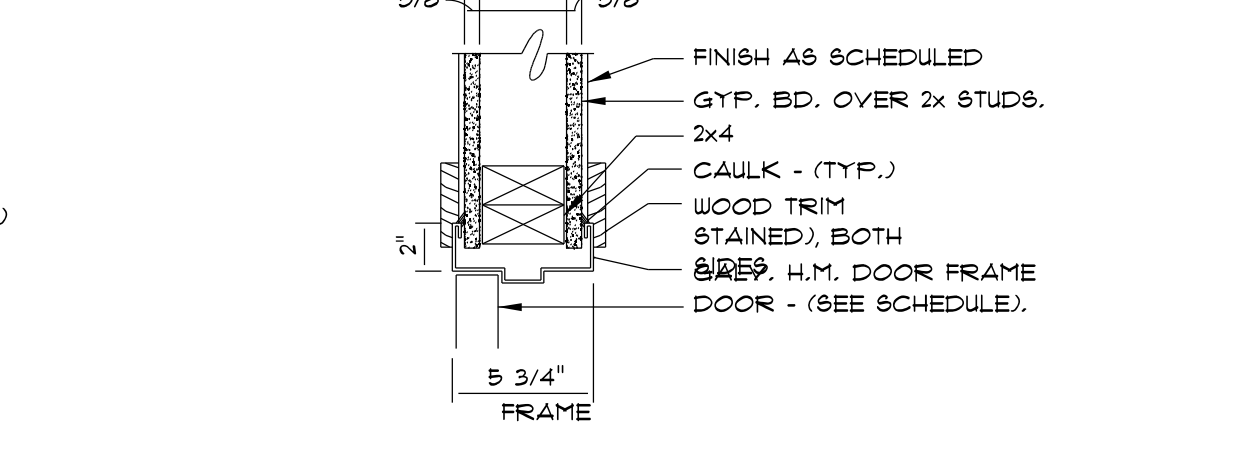
ENTRY DOOR THRESHOLD DETAIL
 SCALE: 1 1/2" = 1'-0"



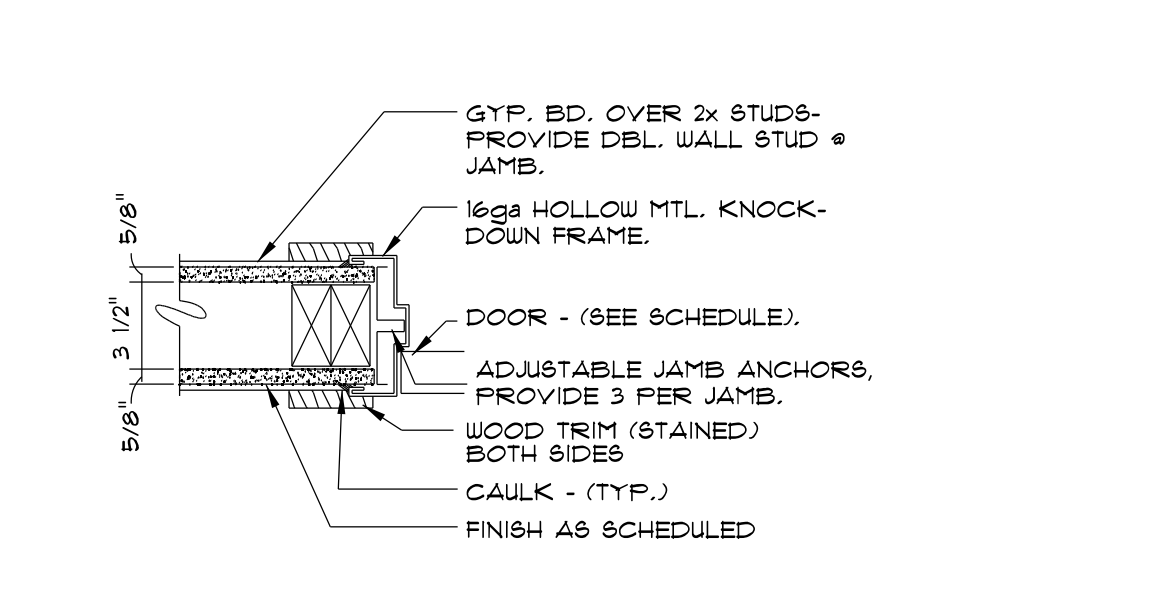
EXTERIOR DOOR JAMB DETAIL
 SCALE: 1 1/2" = 1'-0"



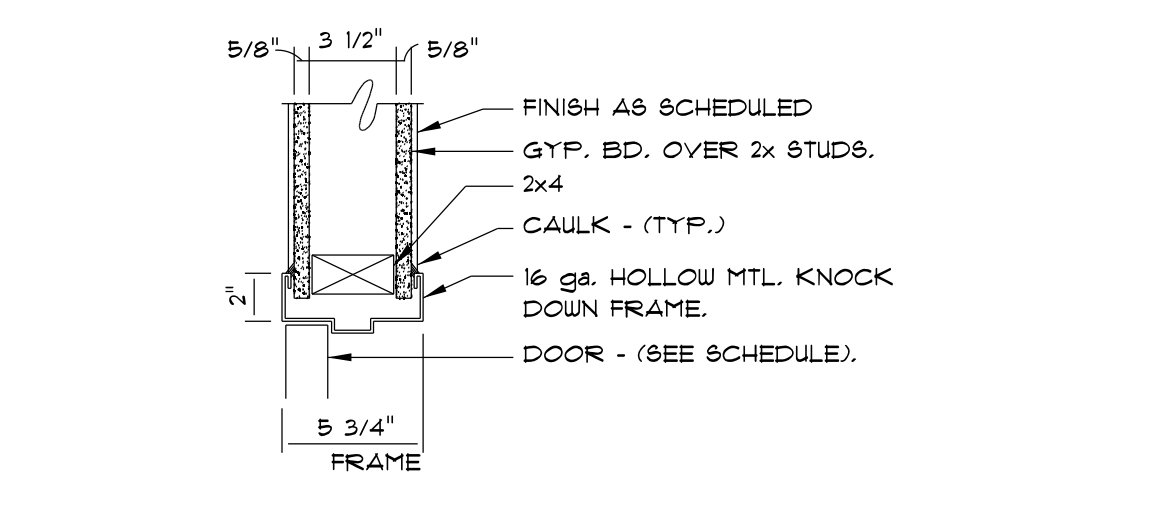
EXTERIOR DOOR HEAD DETAIL
 SCALE: 1 1/2" = 1'-0"



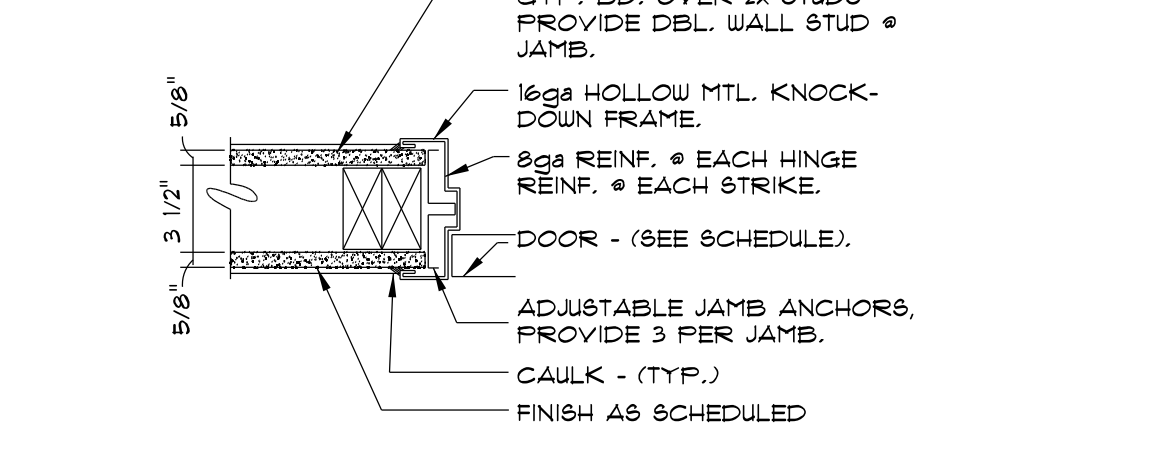
INTERIOR DOOR HEAD DETAIL
 SCALE: 1 1/2" = 1'-0"



INTERIOR DOOR JAMB DETAIL
 SCALE: 1 1/2" = 1'-0"



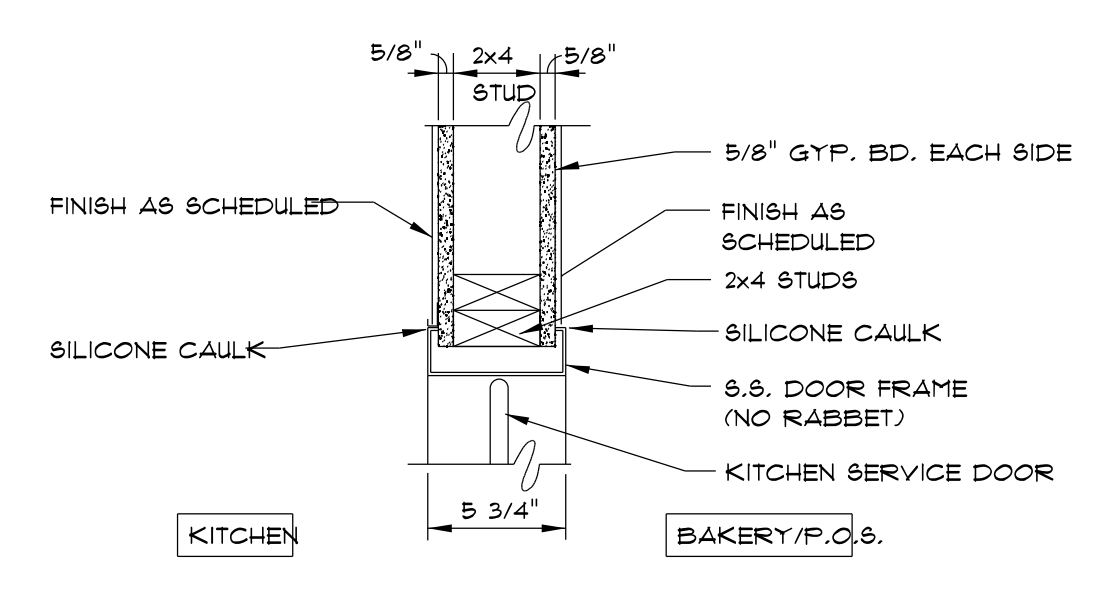
TYPICAL INTERIOR DOOR HEAD DETAIL
 SCALE: 1 1/2" = 1'-0"



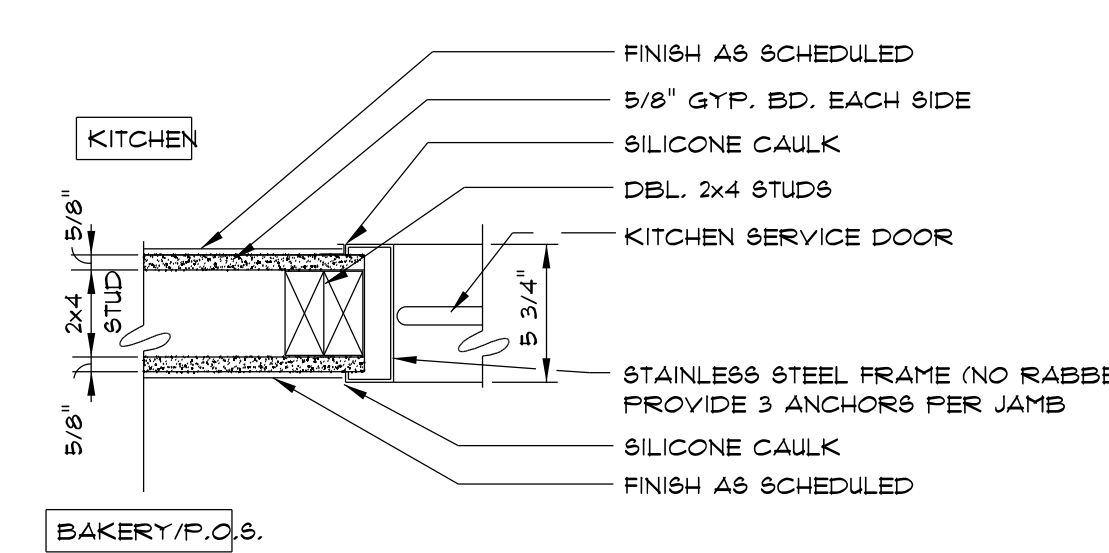
TYPICAL INTERIOR DOOR JAMB DETAIL
 SCALE: 1 1/2" = 1'-0"

GENERAL DOOR NOTES

- ALL HARDWARE SHALL BE FURNISHED AND INSTALLED BY THE GENERAL CONTRACTOR UNLESS NOTED OTHERWISE.
- ALL HARDWARE SHALL BE US4 FINISHED, UNLESS NOTED OTHERWISE.
- ALL DOORS TO BE KEYPED ALIKE.
- HOLLOW METAL FRAMES SHALL BE CONSTRUCTED OF 16 GA. STEEL & GALVANIZED WHERE SCHEDULED.
- ALL LOCKS TO BE 6-PIN INTERCHANGABLE CORE SUPPLIED AND INSTALLED BY THE GENERAL CONTRACTOR. ALL EXTERIOR LOCKS TO BE PROVIDED WITH CONSTRUCTION CORES. PERMANENT CORES TO BE KEYPED ALIKE.
- PERMANENT CORES TO BE DELIVERED TO OWNER.
- REFER TO SPECIFICATION SECTION 0810 - FINISH HARDWARE.
- ALL DOORS SHALL HAVE ADA APPROVED TYPE HARDWARE.
- EXIT HARDWARE SHALL COMPLY WITH ALL LOCAL CODES.
- THE MAXIMUM DIMENSION FROM THE TOP OF THE THRESHOLD TO THE EXTERIOR LANDING AT DOORS SHALL NOT EXCEED 1/2".
- THE GLAZING IN DOORS, AND WITHIN A 24" ARC OF THE SIDES OF DOORS SHALL BE OF AN APPROVED SAFETY TYPE.



EXPEDITING DOOR HEAD DETAIL
 SCALE: 1 1/2" = 1'-0"

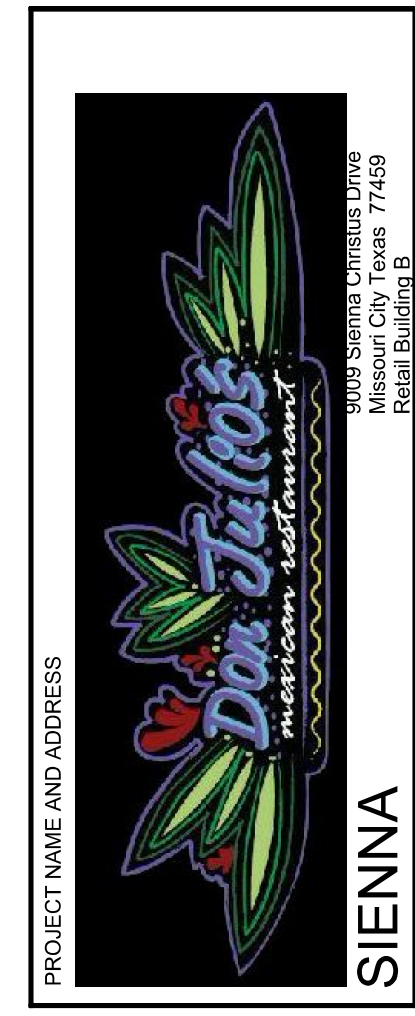


EXPEDITING DOOR JAMB DETAIL
 SCALE: 1 1/2" = 1'-0"

(P) 713.680.1333
 (F) 713.680.1334

3301 Edloe Suite 100
 Houston TX 77027

gene giles
 commercial • residential • planning



DO NOT SCALE DRAWINGS
 CONTRACTOR TO VERIFY ALL
 EXISTING CONDITIONS AND
 DIMENSIONS-NOTIFY DESIGNER
 OF ANY DISCREPANCIES PRIOR
 TO BEGINNING CONSTRUCTION.

VERSION ID	DATE
PERMIT REVIEW	09/21/10

PROJECT NUMBER
FCF5625
 SCALE
AS NOTED
 SHEET ID
ROOF PLAN
 SHEET NUMBER
A111
 ISSUE DATE - 5-26-2010
 PRINT DATE - 9-21-2010

THIS PLAN IS COPYRIGHT PROTECTED AND THE SOLE PROPERTY OF GENE GILES. ANY UNAUTHORIZED COPIES OR DISTRIBUTION IS A VIOLATION OF FEDERAL COPYRIGHT LAW AND SUBJECT TO PROSECUTION UNDER THE GUIDELINES OF THE FEDERAL COPYRIGHT ACT.