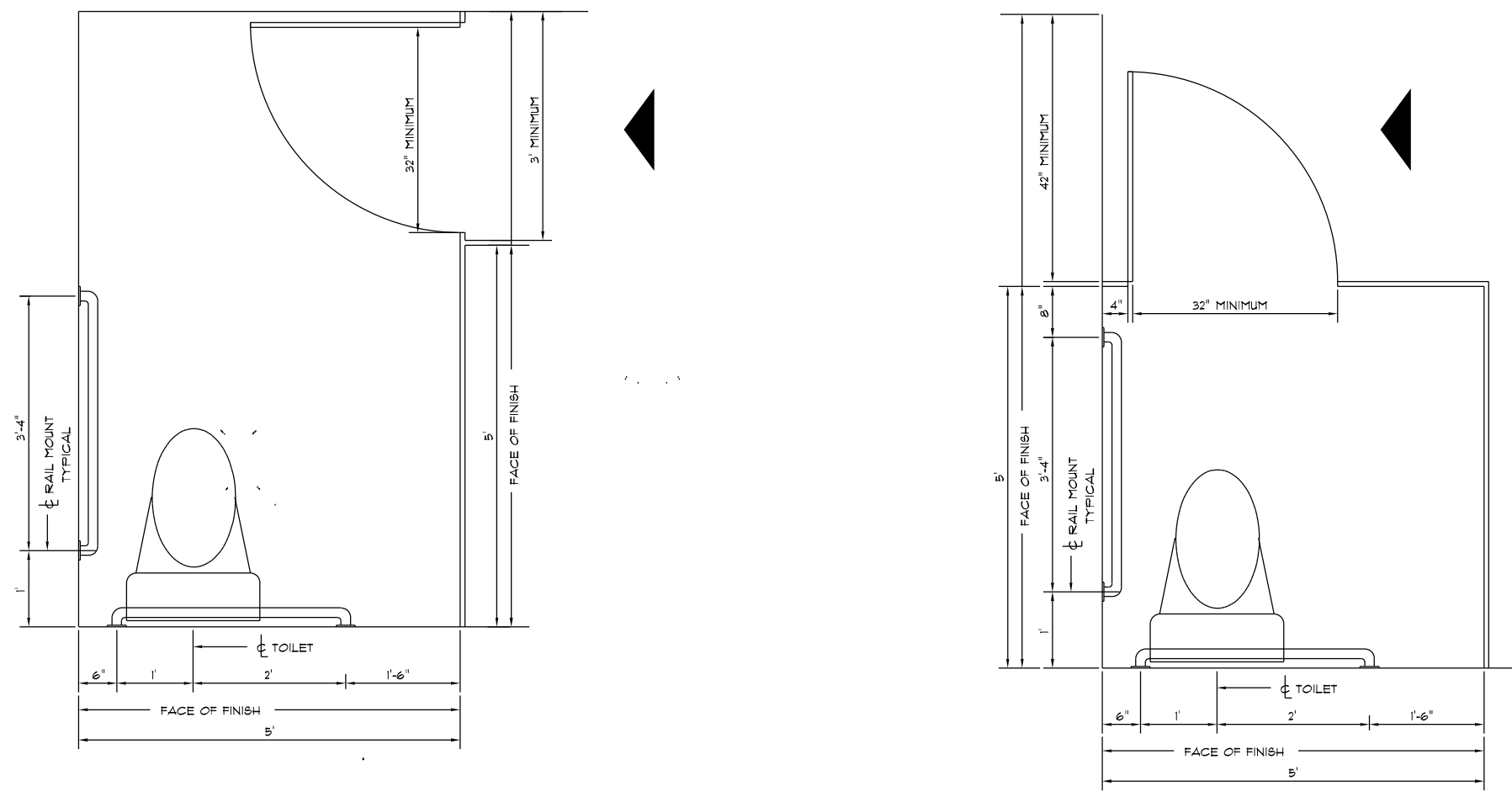


FIG. 35 SHOWER SIZE AND CLEARANCES

(d) SIDE WALLS

(c) REAR WALL OF STANDARD STALL



(a-1) STANDARD STALL (END OF ROW)

(a) STANDARD STALL

GRAB BARS AT STALLS

NTS

GRAB BARS - NOTES

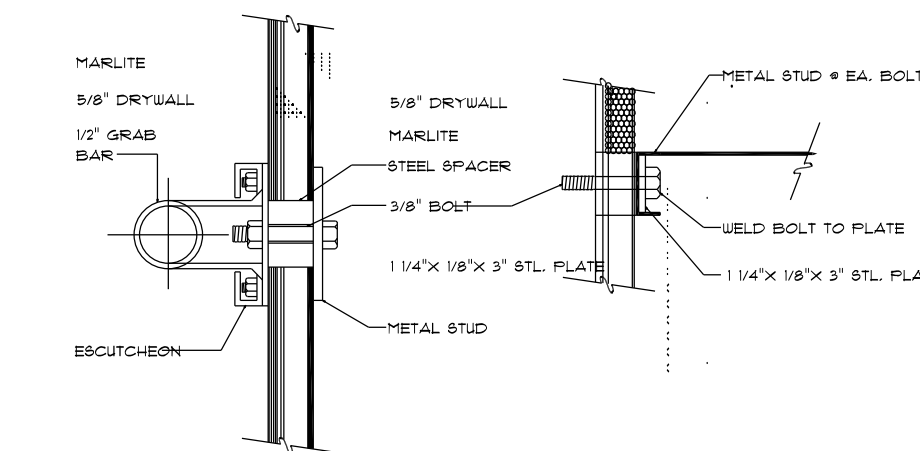
Grab bars shall be located on each side, or on one side and the back of the accessible toilet stall or compartment. (sec 1115b.4.1 (3) fig 11b-1a, b, 4 c)

Grab bars at the side shall be at least 42\"/>

Grab bars shall be securely attached 33\"/>

The diameter or width of the gripping surfaces of a grab bar shall be 1-1/4\"/>

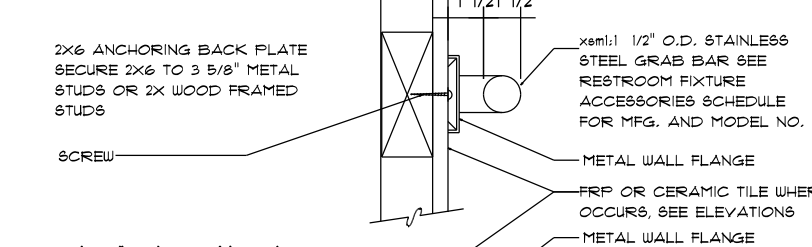
A grab bar and any wall or other surface adjacent to it shall be free of any sharp or abrasive elements. Edges shall have a minimum radius of 1/8\"/>



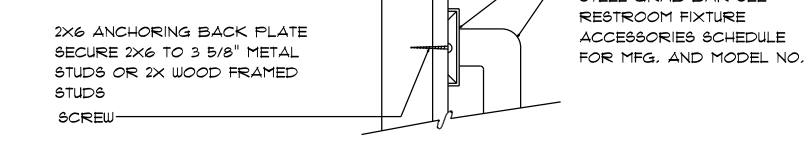
GRAB BAR AT WC PARTITION

NOT TO SCALE

VERTICAL SECTION

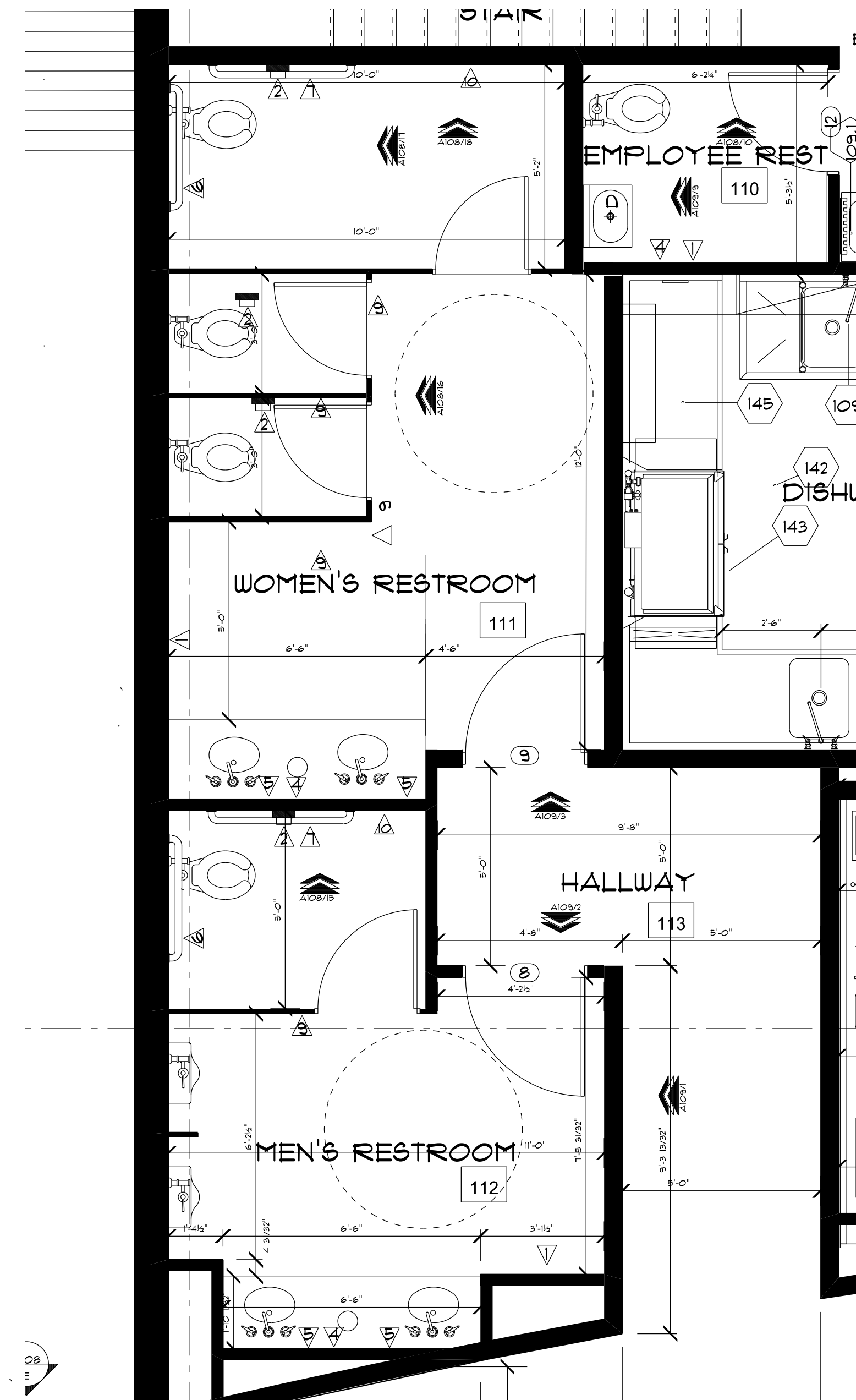


PLAN VIEW



GRAB BAR - PLAN & SECTION

NOT TO SCALE



TOILET ROOM ACCESSORIES

ID	ACCESSORY	MOUNTING HT	REMARKS
1	PAPER TOWEL	PER MFR	SURFACE MOUNTED SEE NOTE 2
2	TOILET PAPER HOLDER	PER MFR	SURFACE MOUNTED SEE NOTE 2
3	SANITARY NAPKIN DISPOSAL	PER MFR	SURFACE MOUNTED SEE NOTE 2
4	SOAP DISPENSER	BOTT. @ 3'-4\"/>	
5	MIRROR	BY OWNER	
6	GRAB BAR	TOP @ 3'-0\"/>	
7	GRAB BAR	TOP @ 3'-0\"/>	
8	MIRROR	BY OWNER	
9	DIVIDER WALL	PER MFR	SURFACE MOUNTED COLOR TBD
10	BABY CHANGING TABLE	PER MFR	SURFACE MOUNTED

SIGNS & IDENTIFICATION - NOTES

The international symbol of accessibility shall consist of a white figure on a blue background, the blue shall be equal to color no. 15090 in federal standard 599b. (sec 1117b.5.1 (2))

Letters and numbers on signs shall have a width-to-height ratio of between 3:5 and 1:1 and a stroke width-to-height ratio between 1:5 and 1:1. (sec 1117b.5.3)

Characters and numbers on signs shall be sized according to the viewing distance from which they are to be read, the minimum height is measured using an upper case x. Lower case characters are permitted, for signs suspended or projected above the finish floor in compliance with section 1121b, the minimum character height shall be 3\"/>

Characters and symbols shall contrast with their background, either light characters on a dark background or dark characters on a light background. (sec 1117b.5.2) When raised characters or symbols are used, they shall conform to the following: (sec 1117b.5.5)

Letters and numbers on signs shall be raised 1/32\"/>

Raised characters or symbols shall be a minimum of 5/8\"/>

Pictorial symbol signs (pictograms) shall be accompanied by the equivalent verbal description placed directly below the pictogram. The border dimension of the pictogram shall be a minimum of 6\"/>

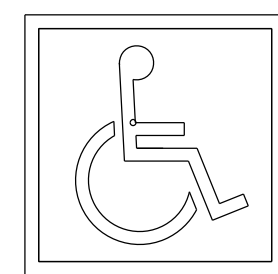
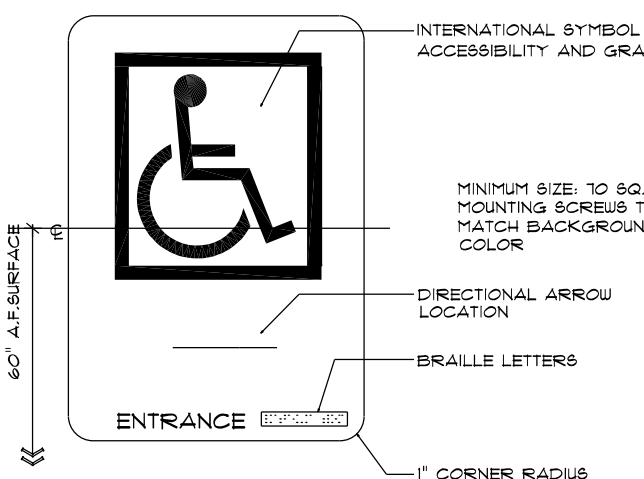
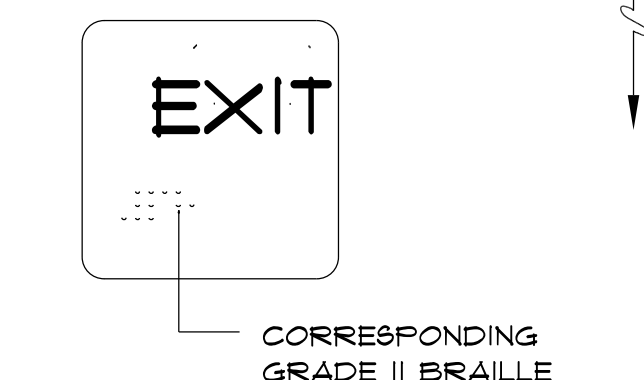
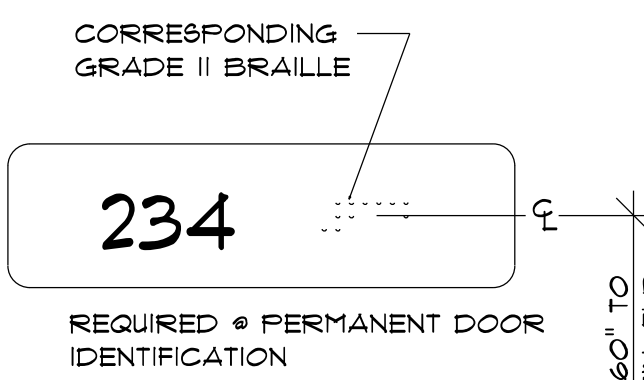
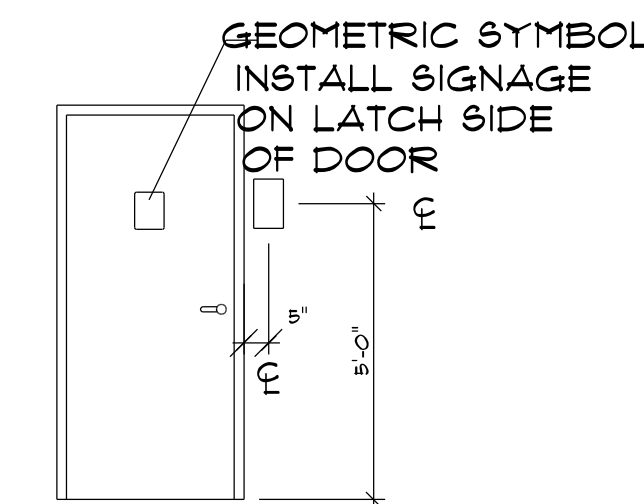
Contracted grade 2 braille shall be used wherever braille symbols are specifically required in other portions of these regulations, dots shall be 1/10\"/>

All building entrances that are accessible and usable by persons with disabilities and at every major junction along or leading to an accessible route of travel shall be identified with a sign displaying the international symbol of accessibility and with additional directional signs, as required, to be visible to persons along approaching pedestrian ways. (sec 1117b.5.7a (1)(2)(3))

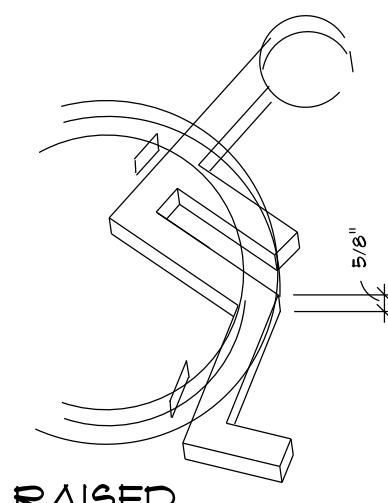
When permanent identification is provided for rooms and spaces, raised letters shall be provided and shall be accompanied by braille in conformance with sections 1117b.5.6 through 1117b.5.6.3. Signs shall be installed on the wall adjacent to the latch side of the door. Where there is no wall space on the latch side, including at double leaf doors, signs shall be placed on the nearest adjacent wall, preferably on the right, mounting height shall be 60\"/>

Pole supported pedestrian traffic control buttons shall be identified with color coding consisting of a textured horizontal yellow band 2\"/>

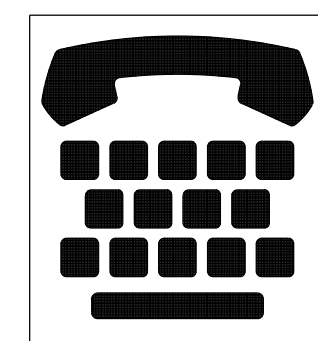
SIGN MOUNTING & DETAILS



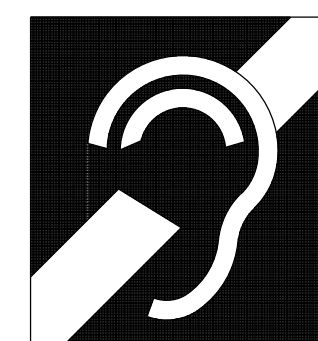
INTERNATIONAL ACCESSIBILITY SYMBOL



RAISED



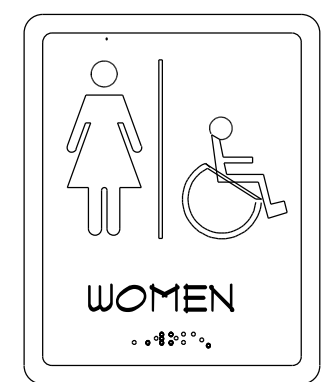
INTERNATIONAL TDD SYMBOL



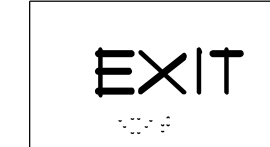
INTERNATIONAL SYMBOL OF ACCESS FOR HEARING EMPAIRED



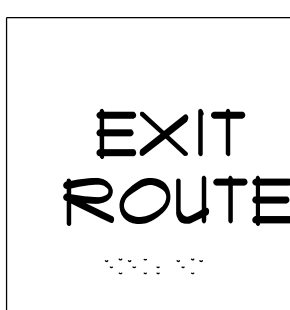
MEN-ACCESSIBLE



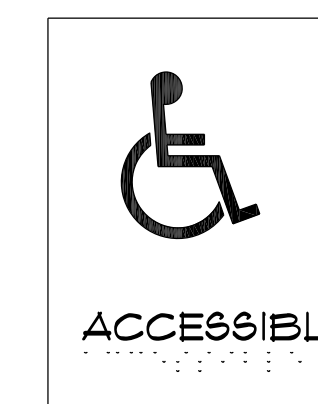
WOMEN-ACCESSIBLE



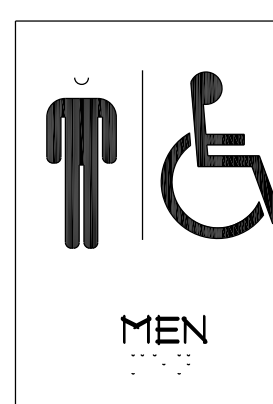
TACTILE EXIT SIGN



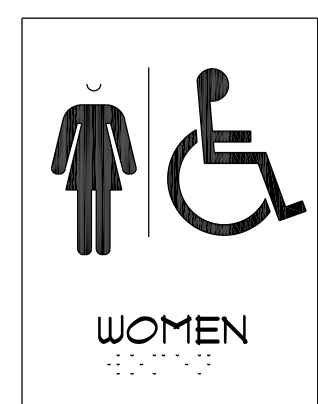
EXIT ROUTE SIGN



ACCESSIBILITY SYMBOL



TACTILE MEN'S ROOM SIGN

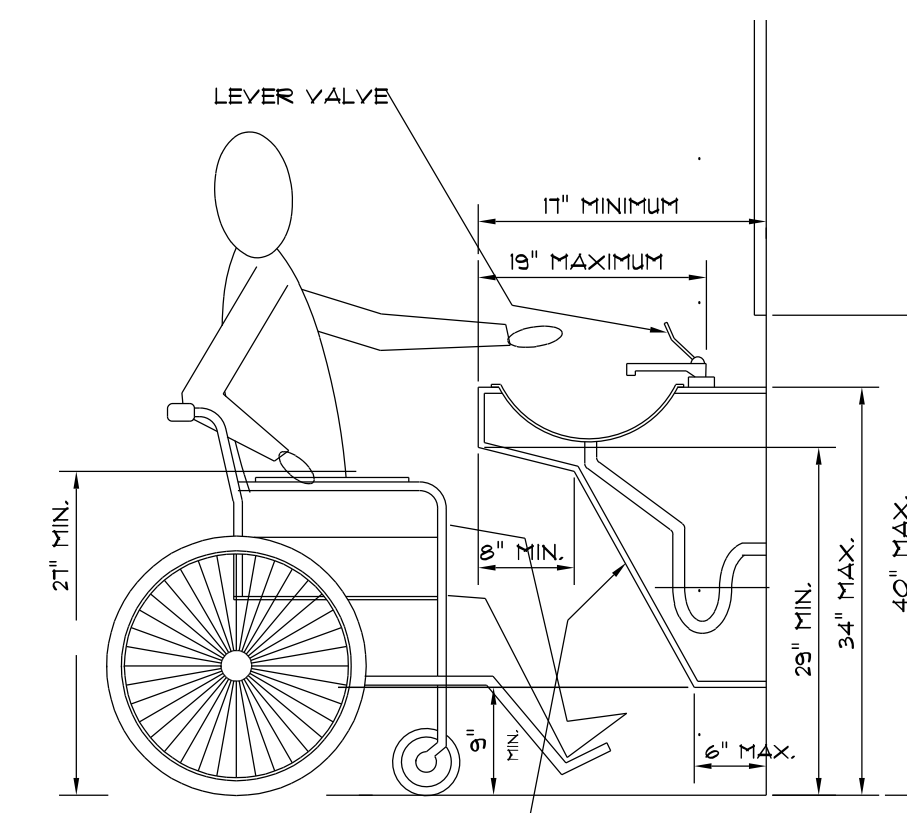


TACTILE WOMEN'S ROOM SIGN

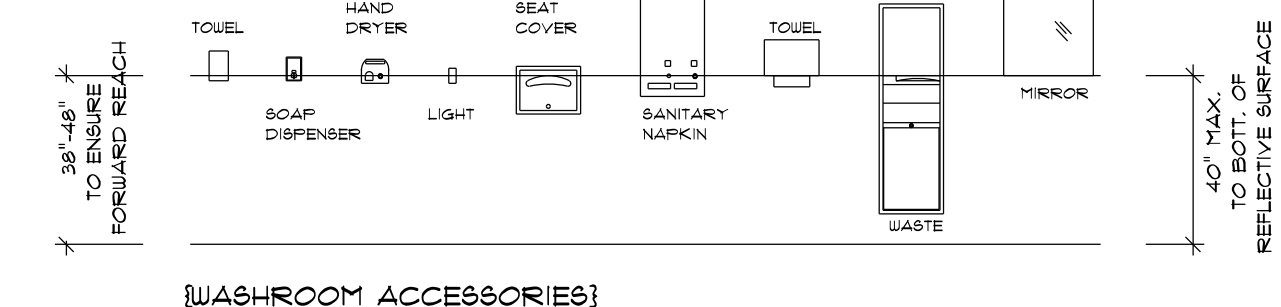
SIGNAGE, PICTOGRAMS & IDENTIFICATION

NTS

DETAILS & DRAWINGS AS PER ADA REGULATIONS - AMERICANS WITH DISABILITIES ACT 1994



HEIGHTS AND CLEARANCES AT LAVATORIES



WASHROOM ACCESSORIES

(P) 713.680.1333  
(F) 713.680.1334

3301 Edloe Suite 100  
Houston TX 77027

gene giles

commercial • residential • planning



SIENNA

DO NOT SCALE DRAWINGS CONTRACTOR TO VERIFY ALL EXISTING CONDITIONS AND DIMENSIONS-NOTIFY DESIGNER OF ANY DISCREPANCIES PRIOR TO BEGINNING CONSTRUCTION.

VERSION ID	DATE
PERMIT REVIEW	09/21/10

PROJECT NUMBER  
FCF5625  
SCALE  
AS NOTED  
SHEET ID  
HEALTH AND SAFETY  
SHEET NUMBER  
A104

ISSUE DATE - 5-26-2010  
PRINT DATE - 9-21-2010

THIS PLAN IS COPYRIGHT PROTECTED AND THE SOLE PROPERTY OF GENE GILES AND UNAUTHORIZED COPIES OR DISTRIBUTION IS A VIOLATION OF FEDERAL COPYRIGHT LAWS. SUBJECT TO PROTECTION UNDER THE GUIDELINES OF THE FEDERAL COPYRIGHT ACT.

C:\Users\Gene\Desktop\Book\Book\Doc\July's Server\Print