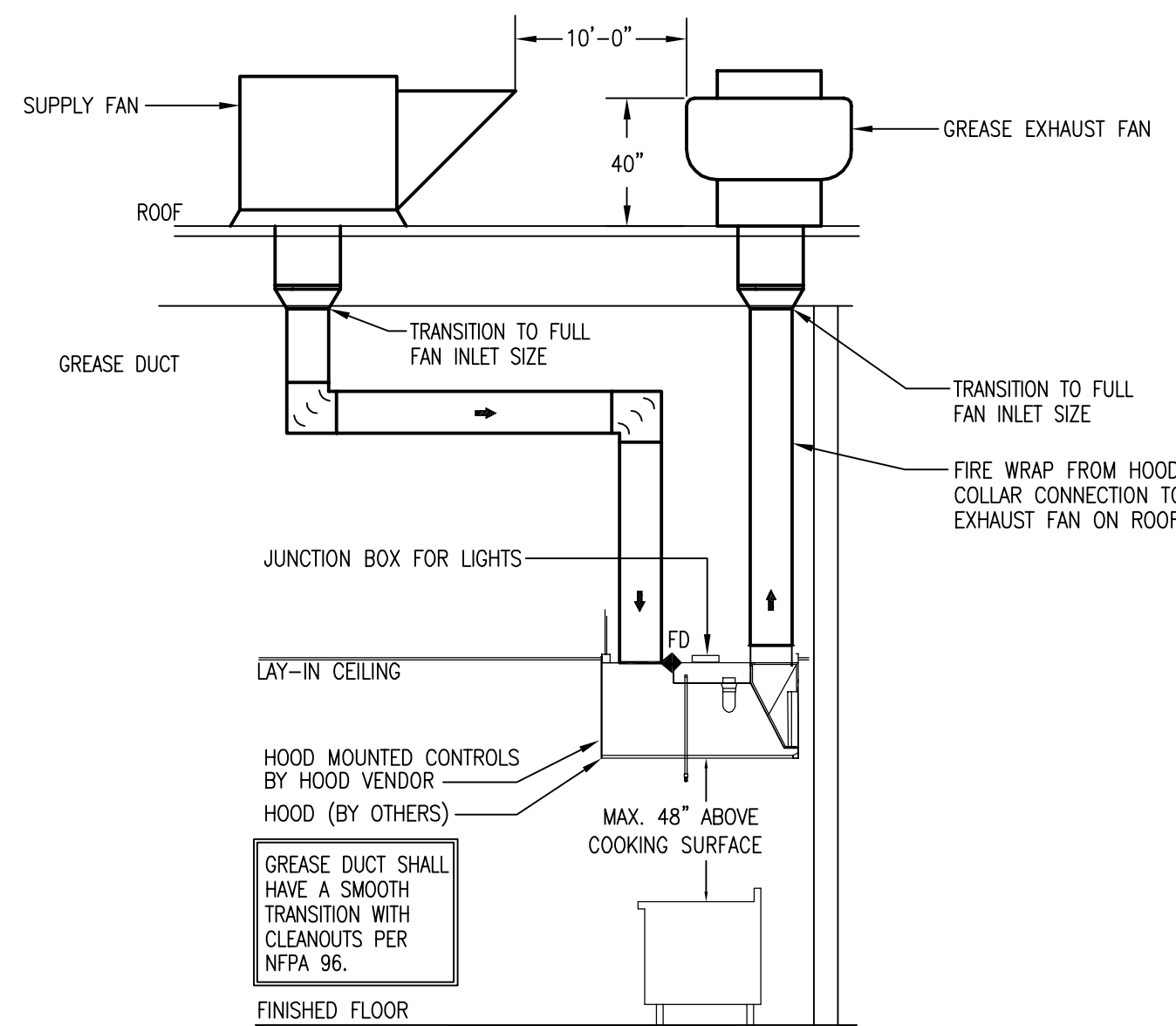


**GREASE DUCT INSULATION DETAIL**

SCHEMATIC - NO SCALE

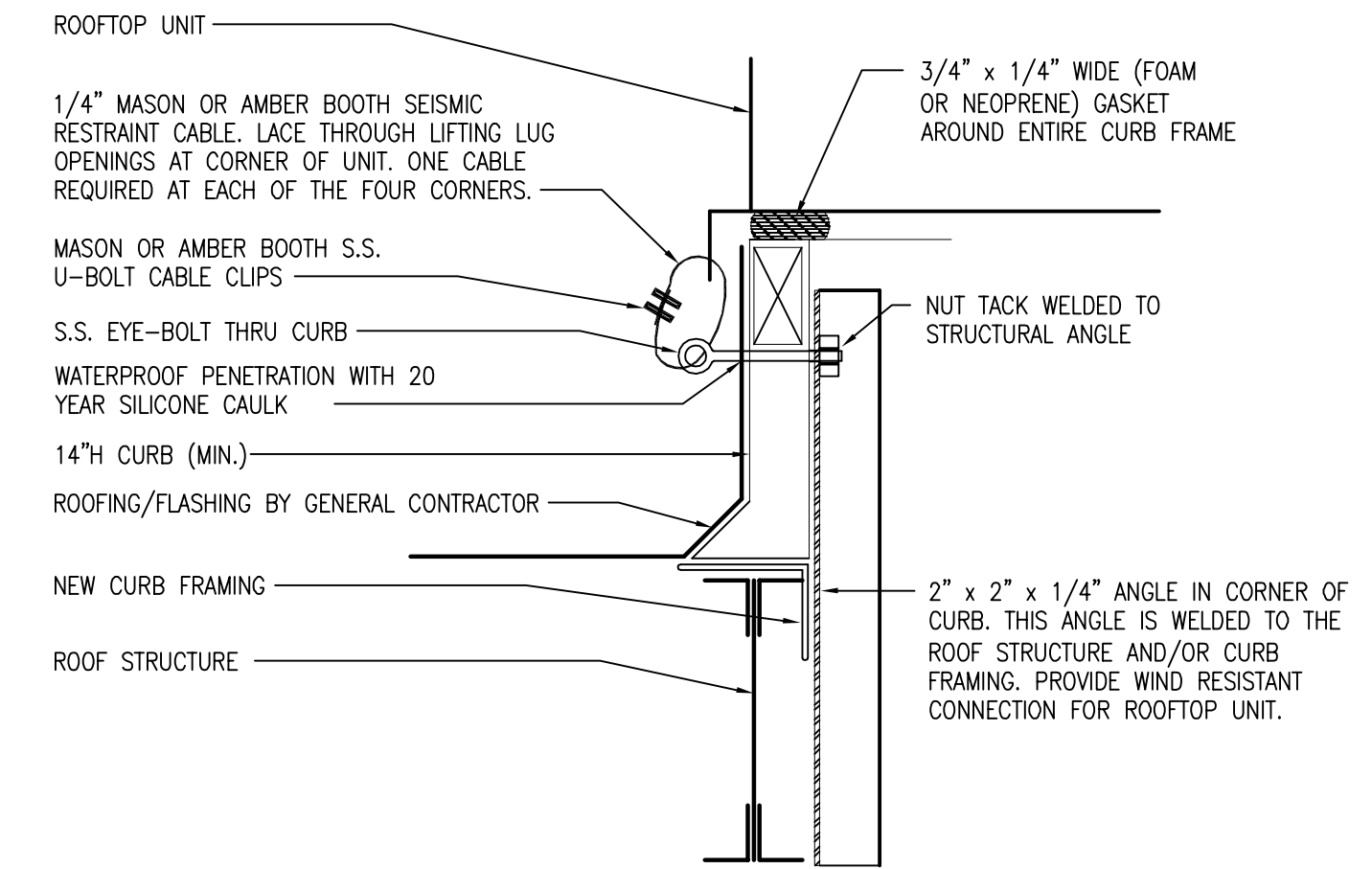
**INSTALLATION INSTRUCTION NOTES:**

- 1 TWO LAYERS OF FIREMASTER FASTWRAP XL BLANKET FOR GREASE DUCT ENCLOSURES ONE LAYER OF FIREMASTER FASTWRAP XL BLANKET FOR AIR VENTILATION DUCT ENCLOSURES.
- 2 STEEL BANDING MINIMUM 1/2" WIDE BY 0.015" THICK.
- 3 TIGHT BUTT JOINTS ON INNER LAYER.
- 4 MIN. 3" OVERLAP ON PERIMETER AND BETWEEN ADJACENT BLANKET ON OUTSIDE LAYER.
- 5 MIN. 3/8" DIAMETER HANGER ROD.
- 6 MIN. 2" X 2" X 1/8" ANGLE FOR GREASE DUCT ENCLOSURES. MIN. 1-1/2" X 1-1/2" X 1/8" ANGLE OR SMACNA EQUIVALENT FOR AIR VENTILATION DUCT ENCLOSURES.
- 7 OPTIONAL 6" FIREMASTER FASTWRAP XL COLLAR



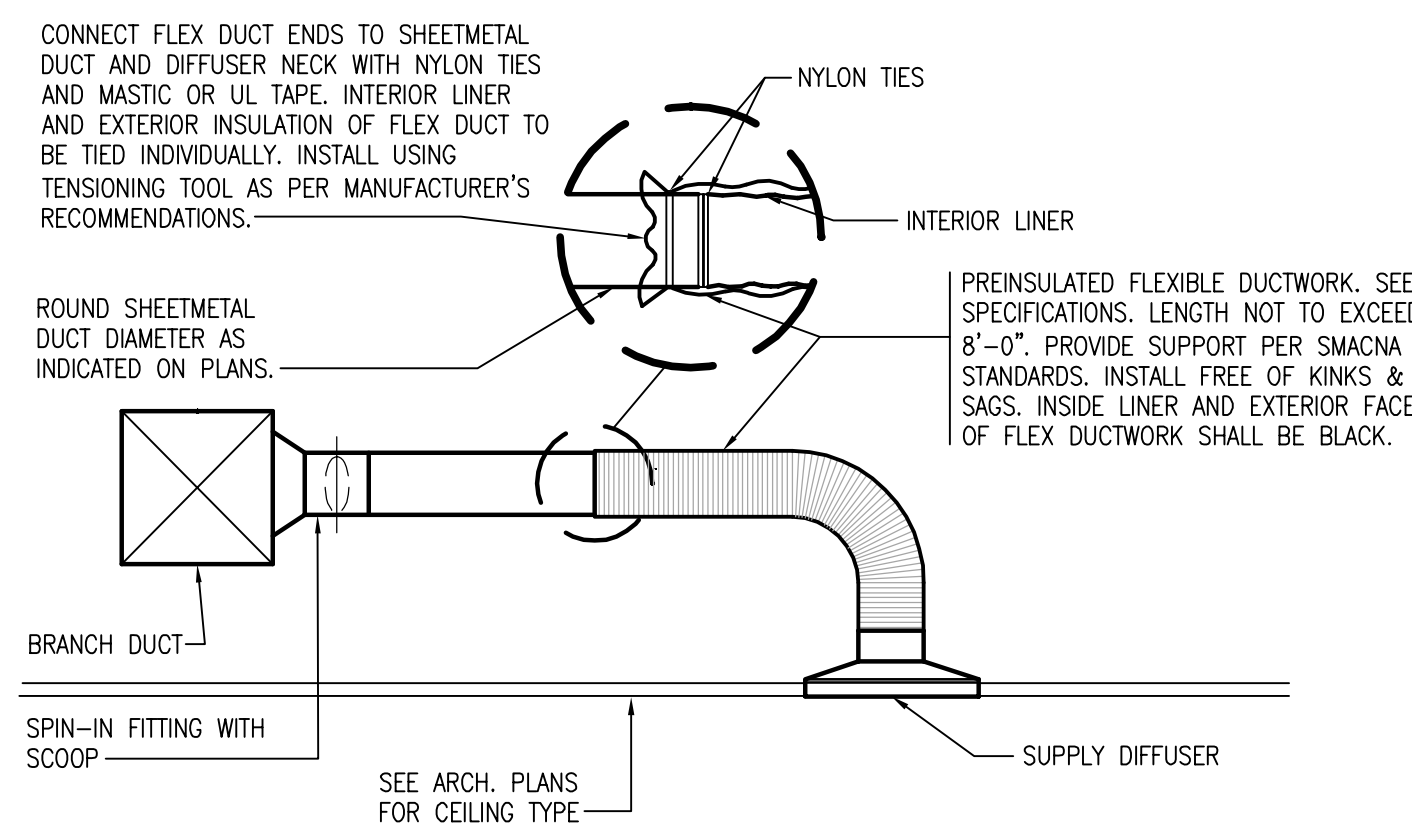
**TYPICAL HOOD EXHAUST SECTION**

SCHEMATIC - NO SCALE



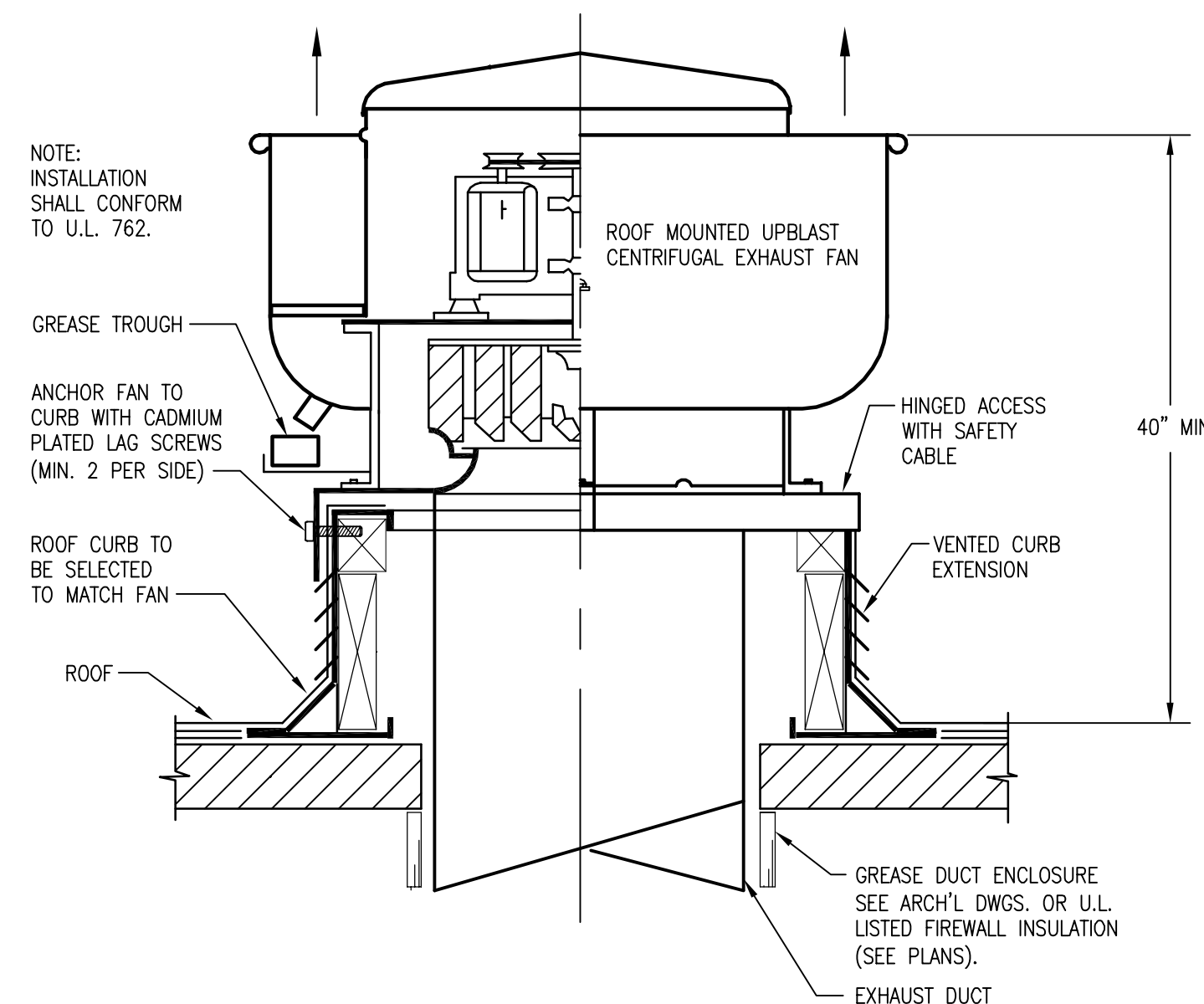
**ROOFTOP UNIT HURRICANE TIE-DOWN DETAIL**

SCHEMATIC - NO SCALE



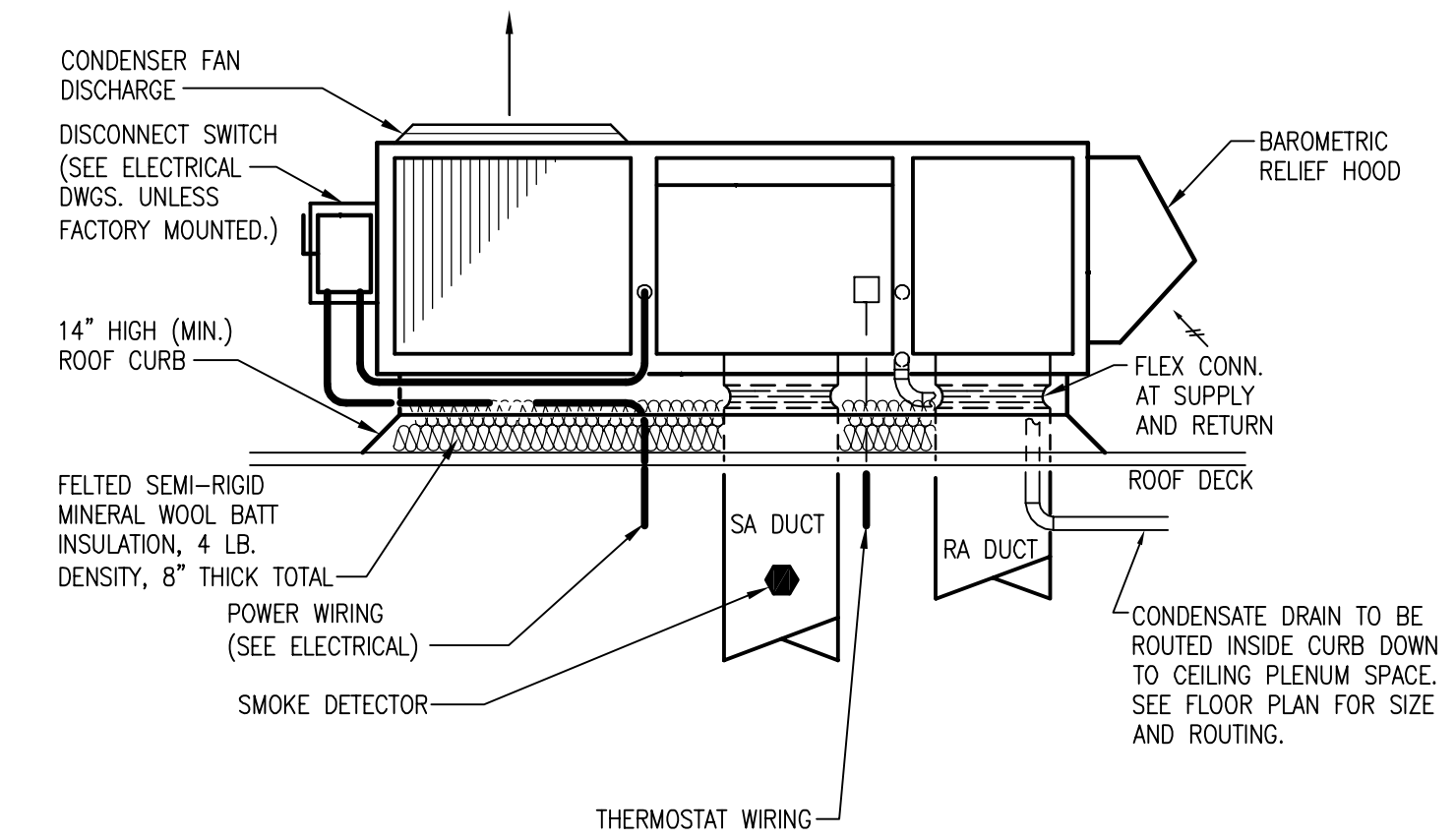
**FLEXIBLE DUCT TAKE-OFF DETAIL**

SCHEMATIC - NO SCALE



**ROOF MOUNTED GREASE EXHAUST FAN**

SCHEMATIC - NO SCALE



**NOTES:**

1. ALL CONNECTIONS AND SERVICES MUST BE INSIDE THE PERIMETER CURB. DISCONNECT SWITCHES, BRACKETS, AND CONDUIT MUST BE CLEAR OF ALL UNIT PANELS AND AIRFLOW. ATTACH BRACKETS TO STRUCTURAL MEMBERS OF UNIT.
2. DO NOT MOUNT DISCONNECT SWITCH OVER NAMEPLATE OF UNIT.
3. CUT OPENINGS IN ROOF DECK ONLY FOR SUPPLY AND RETURN DUCT PENETRATIONS. INSULATION SHALL COVER THE ENTIRE AREA OUTLINED BY THE CURB.

**ROOFTOP AIR-CONDITIONER DETAIL**

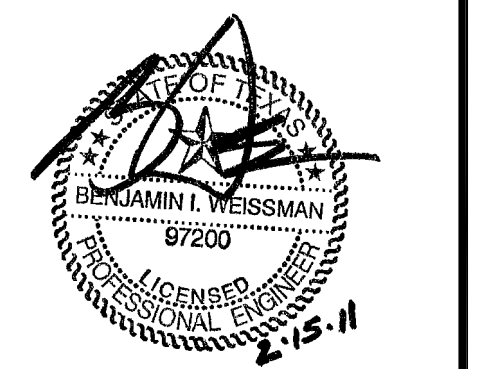
SCHEMATIC - NO SCALE

**CISNEROS DESIGN STUDIO,  
ARCHITECTS LLC**  
4621 Montrose Blvd. Suite B220 Houston, Texas 77006  
(PH) 713-520-7745 (FAX) 713-520-8894  
COPYRIGHT 2011  
CISNEROS DESIGN STUDIO ARCHITECTS LLC  
Services and specifications are instruments of service and shall remain the property of the Architect. They are not to be used on other projects or in relation to this project except in writing and with appropriate compensation to the Architect. Contractor is responsible for obtaining all necessary permits, licenses, and approvals for construction means, methods, techniques, materials or procedures, or for safety precautions and programs in connection with the project.

**DAMICO'S RESTAURANT**  
2802 WHITE OAK, SUITE 500  
HOUSTON, TX 77007

ARCHITECT:

ENGINEER:



REVISIONS:

DATE ISSUED: 15 FEB. 2011

SHEET  
DETAILS

**M-1.1**

**JSE** Jordan & Skala Engineers  
11231 Richmond Ave., Suite 0104  
Houston, TX 77062  
V: (281) 617-3200 F: (281) 617-3207  
Project Number - 106-0634 Texas Firm Registration # F-4990  
Drawn By: JSE Checked By: JSE