

**EXHAUST FAN INFORMATION**

FAN UNIT NO.	FAN UNIT MODEL #	MODEL	TAG	CFM	S.P.	RPM	H.P.	Ø	VOLT	FLA	WEIGHT (LBS.)	COVERAGE
1	NCA14FA	NCA14FA		1994	1.000	1225	1.000	3	208	3.3	125.14	Hood #1
2	NCA14FA	NCA14FA		1994	1.000	1225	1.000	3	208	3.3	125.14	Hood #1
4	NCA14FA	NCA14FA		2138	1.000	1258	1.000	3	208	3.3	125.14	Hood #2
6	NCA10FA	NCA10FA		1000	1.000	1285	0.500	3	208	1.8	101.73	Hood #3
7	DU30HFA	DU30HFA		525	0.500	1182	0.250	1	115	4.0	61.56	Hood #4

**HEATER/MUA FAN INFORMATION**

FAN UNIT NO.	FAN UNIT MODEL #	BLOWER	HOUSING	TAG	CFM	S.P.	RPM	H.P.	Ø	VOLT	FLA	WEIGHT (LBS.)	COVERAGE
3	NSAU2-G12	G12	NSAU.2		3190	0.500	728	1.500	3	208	4.7	293.67	Hood #1
5	NSAU1-G10	G10	NSAU.1		1710	0.500	779	0.750	3	208	2.7	209.00	Hood #2

**FAN OPTIONS**

FAN UNIT NO.	OPTION (Qty. - Descr.)
1	1 - Grease Box
2	1 - Grease Box
3	1 - Motorized Backdraft Damper for Size 2 Housing
4	1 - Grease Box
5	1 - Motorized Backdraft Damper for Size 1 Housing
6	1 - Grease Box
7	1 - Exhaust Fan Heat Baffle
7	1 - Motorized I 15 BDD 120/240V

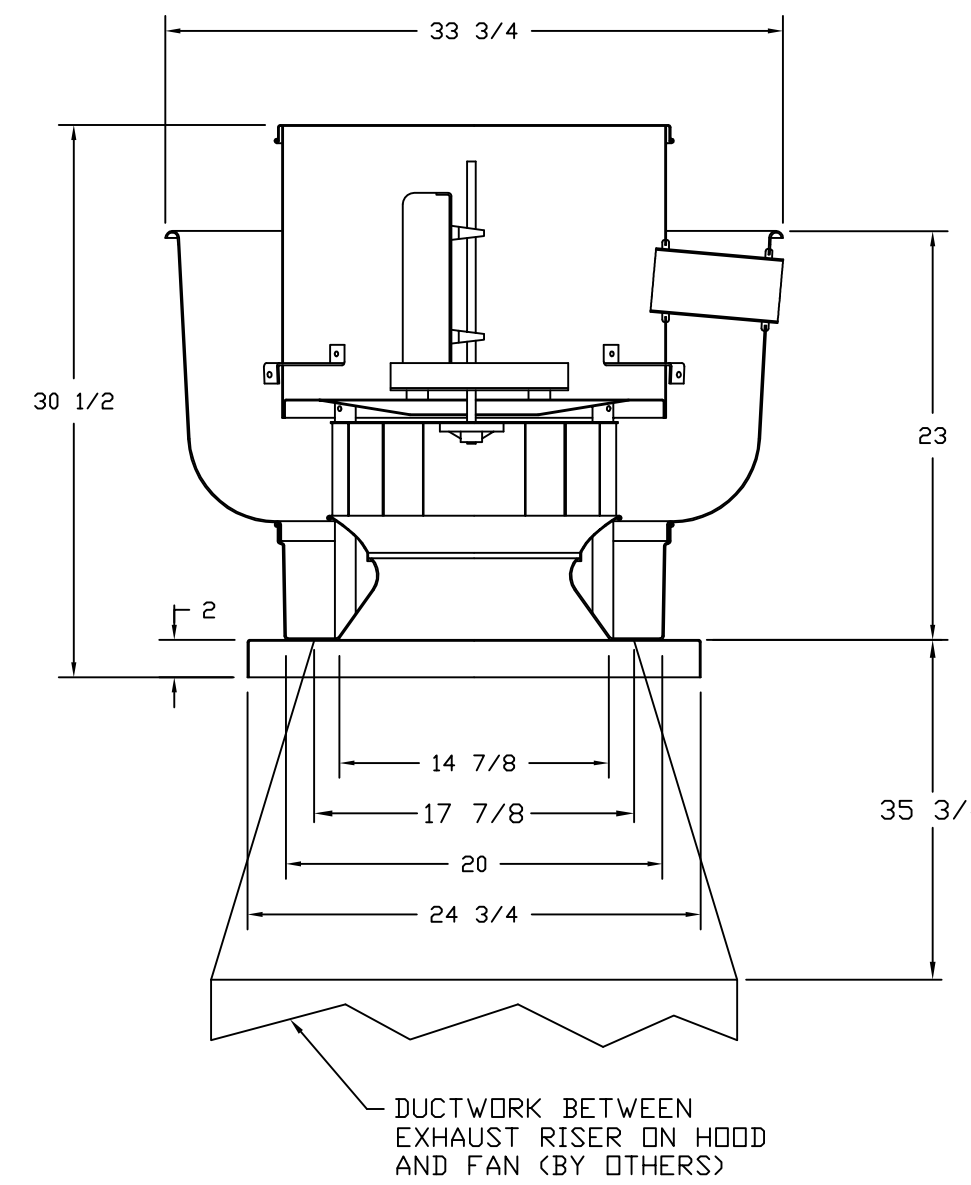
**FAN ACCESSORIES**

FAN UNIT NO.	FAN UNIT TAG	EXHAUST				SUPPLY			
		GREASE CUP	GRAVITY DAMPER	WALL MOUNT	SIDE DISCHARGE	GRAVITY DAMPER	MOTORIZED DAMPER	WALL MOUNT	
3							YES		
5							YES		

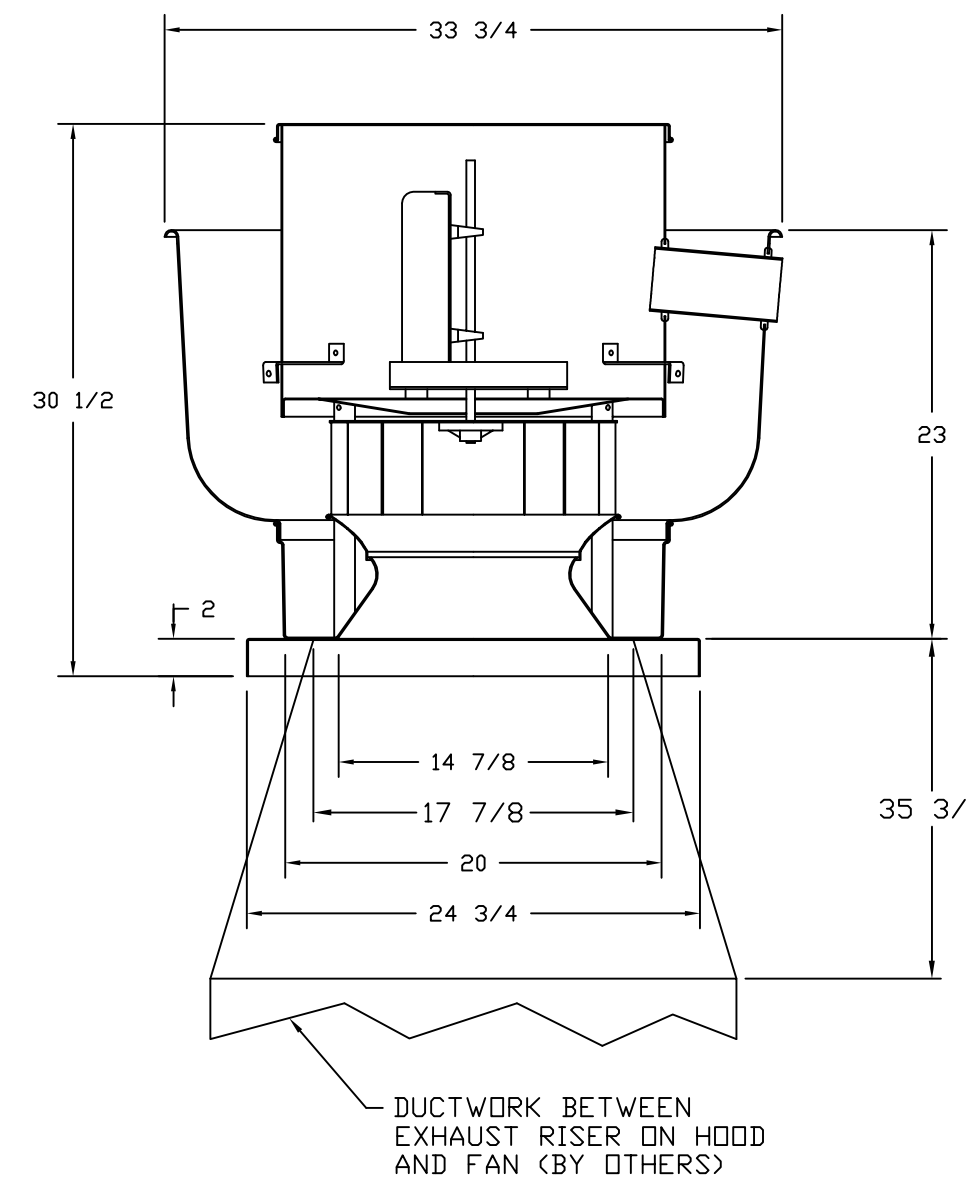
**CURB ASSEMBLIES**

NO.	DN FAN	ITEM	SIZE
1	# 1	Curb	23.000"W x 23.000"L x 20.000"H Vented Hinged
2	# 2	Curb	23.000"W x 23.000"L x 20.000"H Vented Hinged
3	# 3	Curb	32.500"W x 32.500"L x 14.000"H
4	# 4	Curb	23.000"W x 23.000"L x 20.000"H Vented Hinged
5	# 5	Curb	23.000"W x 23.000"L x 14.000"H
6	# 6	Curb	19.500"W x 19.500"L x 20.000"H Vented Hinged
7	# 7	Curb	19.500"W x 19.500"L x 14.000"H

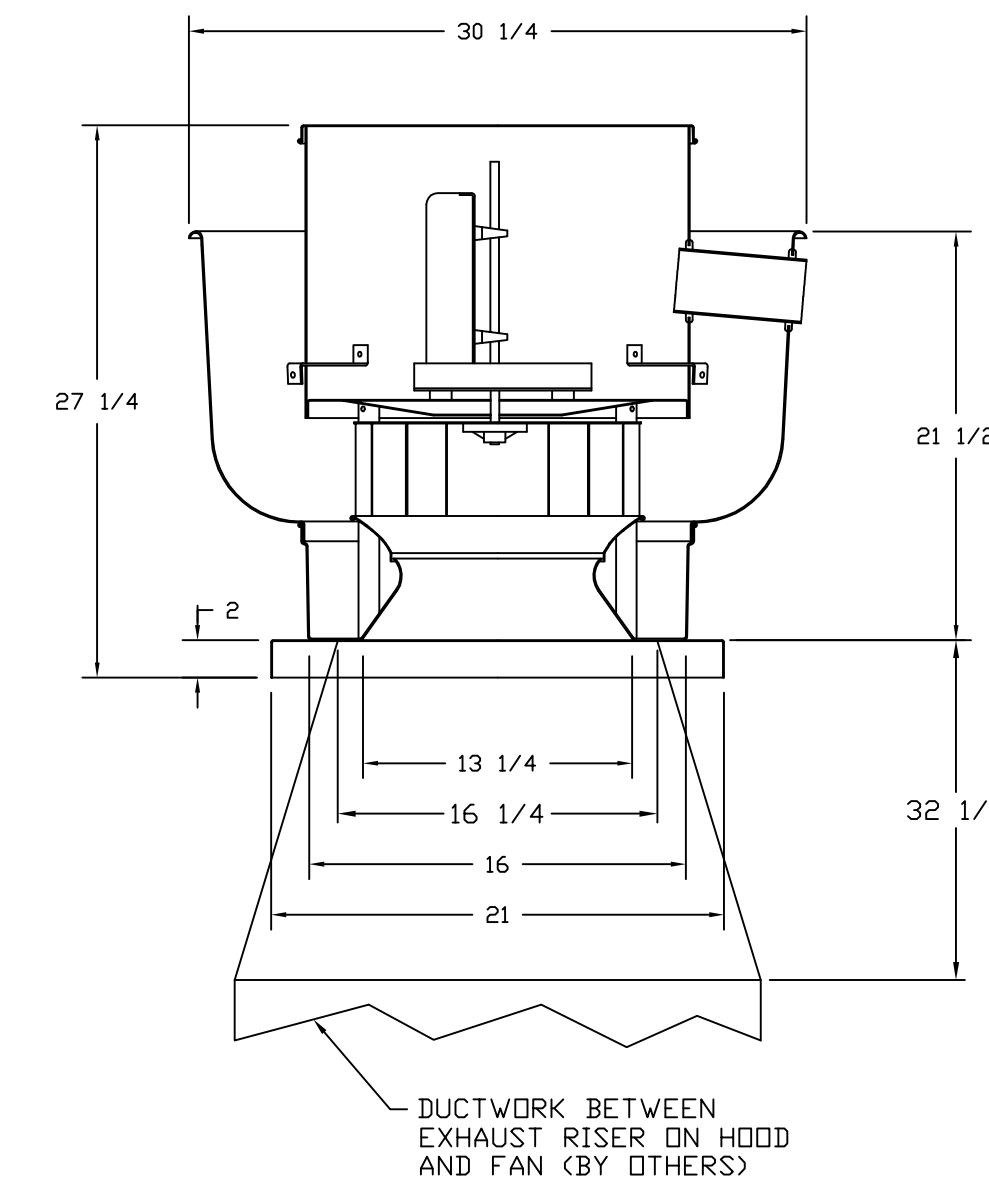
FAN #1, #2 & #4 NCA14FA - EXHAUST FAN



FAN #2 NCA14FA - EXHAUST FAN



FAN #6 NCA10FA - EXHAUST FAN



**FEATURES:**

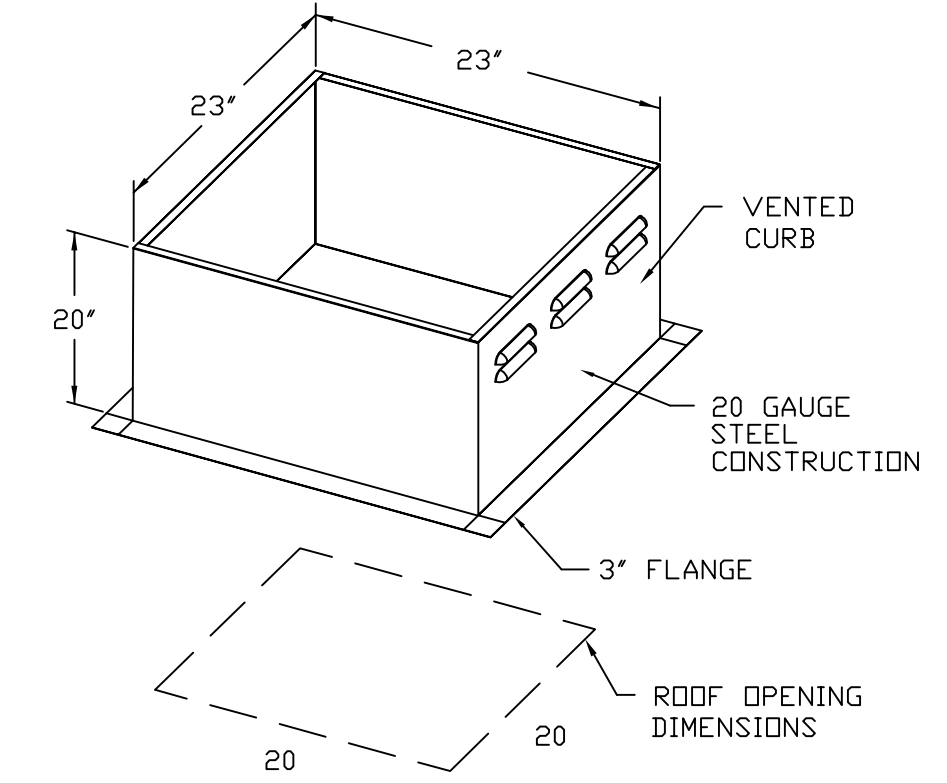
- ROOF MOUNTED FANS
- RESTAURANT MODEL
- UL705 AND UL762
- AMCA SOUND AND AIR CERTIFIED
- WIRING FROM MOTOR TO DISCONNECT SWITCH
- WEATHERPROOF DISCONNECT
- HIGH HEAT OPERATION 300°F (149°C)
- GREASE CLASSIFICATION TESTING

**NORMAL TEMPERATURE TEST**  
EXHAUST FAN MUST OPERATE CONTINUOUSLY WHILE EXHAUSTING AIR AT 300°F (149°C) UNTIL ALL FAN PARTS HAVE REACHED THERMAL EQUILIBRIUM, AND WITHOUT ANY DETERIORATING EFFECTS TO THE FAN WHICH WOULD CAUSE UNSAFE OPERATION.

**ABNORMAL FLARE-UP TEST**  
EXHAUST FAN MUST OPERATE CONTINUOUSLY WHILE EXHAUSTING BURNING GREASE VAPORS AT 600°F (316°C) FOR A PERIOD OF 15 MINUTES WITHOUT THE FAN BECOMING DAMAGED TO ANY EXTENT THAT COULD CAUSE AN UNSAFE CONDITION.

**OPTIONS**

- GREASE BOX



**FEATURES:**

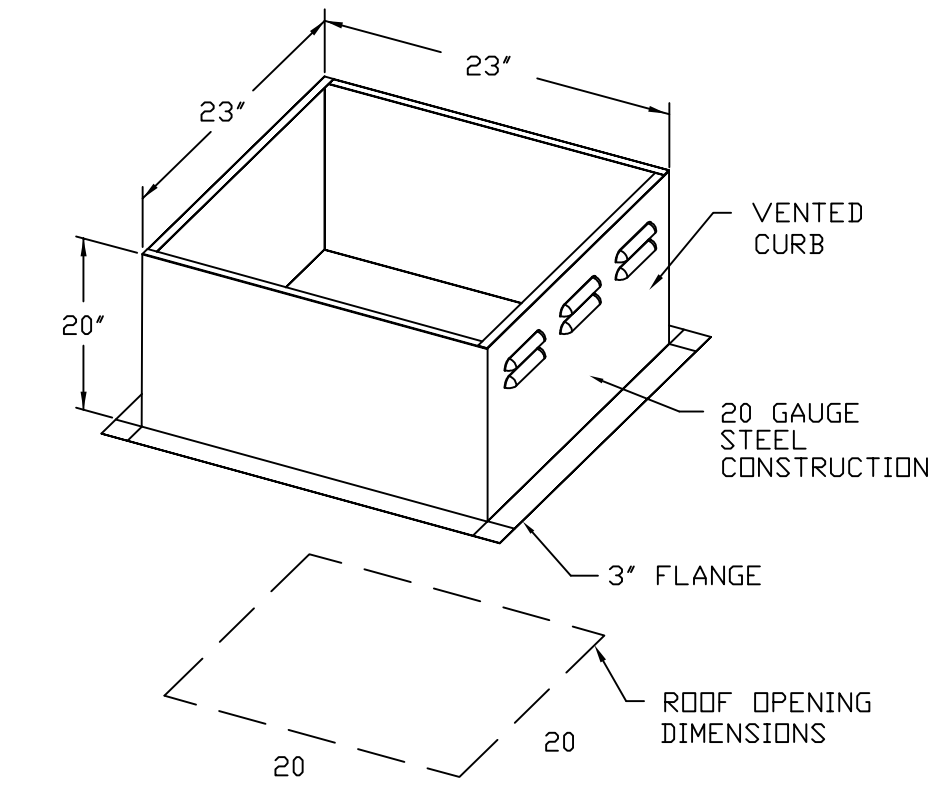
- ROOF MOUNTED FANS
- RESTAURANT MODEL
- UL705 AND UL762
- AMCA SOUND AND AIR CERTIFIED
- WIRING FROM MOTOR TO DISCONNECT SWITCH
- WEATHERPROOF DISCONNECT
- HIGH HEAT OPERATION 300°F (149°C)
- GREASE CLASSIFICATION TESTING

**NORMAL TEMPERATURE TEST**  
EXHAUST FAN MUST OPERATE CONTINUOUSLY WHILE EXHAUSTING AIR AT 300°F (149°C) UNTIL ALL FAN PARTS HAVE REACHED THERMAL EQUILIBRIUM, AND WITHOUT ANY DETERIORATING EFFECTS TO THE FAN WHICH WOULD CAUSE UNSAFE OPERATION.

**ABNORMAL FLARE-UP TEST**  
EXHAUST FAN MUST OPERATE CONTINUOUSLY WHILE EXHAUSTING BURNING GREASE VAPORS AT 600°F (316°C) FOR A PERIOD OF 15 MINUTES WITHOUT THE FAN BECOMING DAMAGED TO ANY EXTENT THAT COULD CAUSE AN UNSAFE CONDITION.

**OPTIONS**

- GREASE BOX



**FEATURES:**

- ROOF MOUNTED FANS
- RESTAURANT MODEL
- UL705 AND UL762
- AMCA SOUND AND AIR CERTIFIED
- WIRING FROM MOTOR TO DISCONNECT SWITCH
- WEATHERPROOF DISCONNECT
- HIGH HEAT OPERATION 300°F (149°C)
- GREASE CLASSIFICATION TESTING

**NORMAL TEMPERATURE TEST**  
EXHAUST FAN MUST OPERATE CONTINUOUSLY WHILE EXHAUSTING AIR AT 300°F (149°C) UNTIL ALL FAN PARTS HAVE REACHED THERMAL EQUILIBRIUM, AND WITHOUT ANY DETERIORATING EFFECTS TO THE FAN WHICH WOULD CAUSE UNSAFE OPERATION.

**ABNORMAL FLARE-UP TEST**  
EXHAUST FAN MUST OPERATE CONTINUOUSLY WHILE EXHAUSTING BURNING GREASE VAPORS AT 600°F (316°C) FOR A PERIOD OF 15 MINUTES WITHOUT THE FAN BECOMING DAMAGED TO ANY EXTENT THAT COULD CAUSE AN UNSAFE CONDITION.

**OPTIONS**

- GREASE BOX
- EXHAUST FAN HEAT BAFFLE

