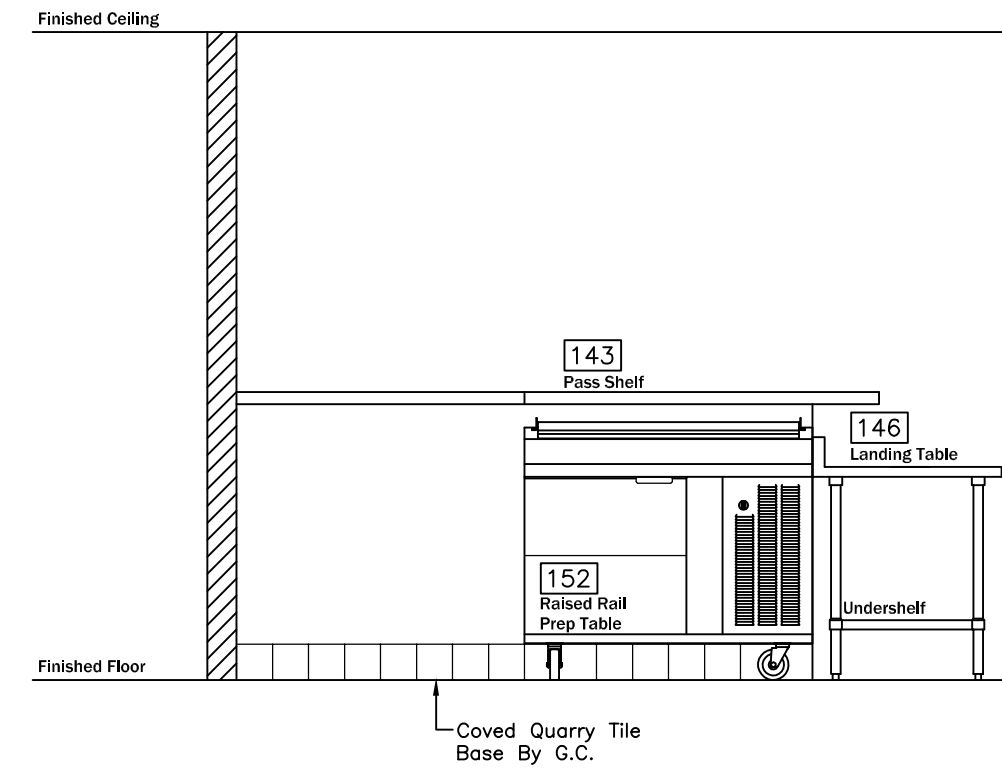
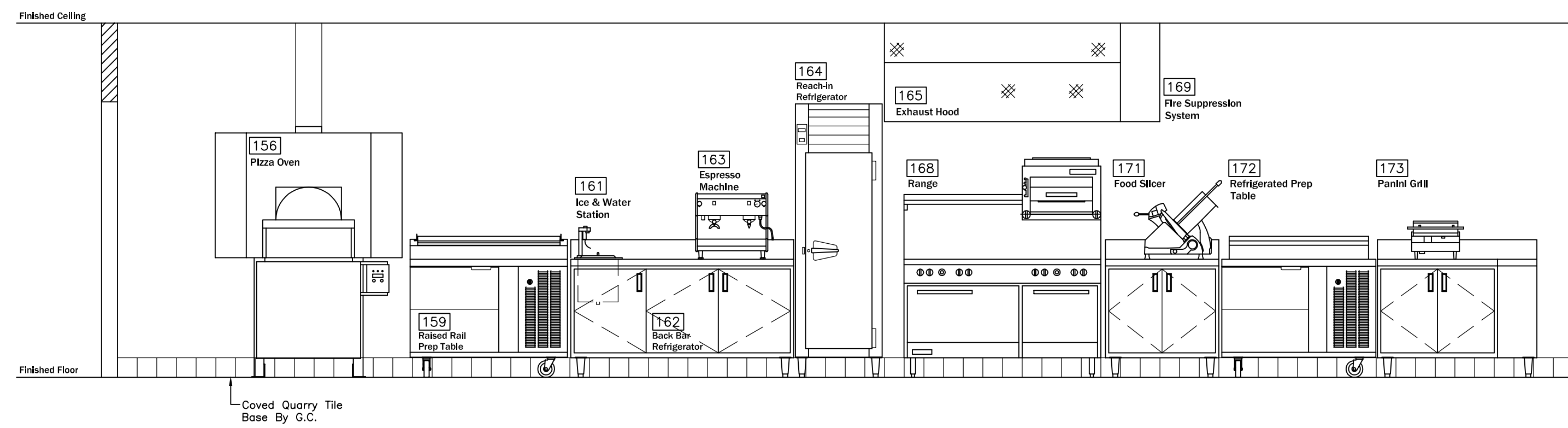


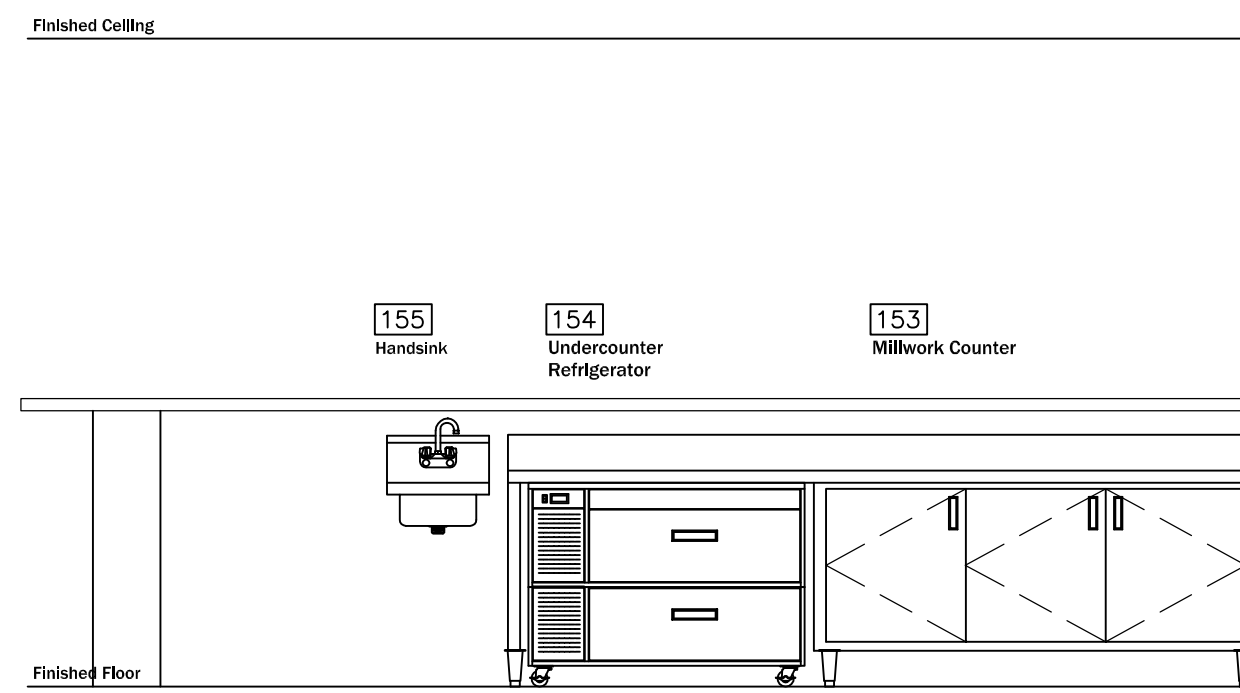
ELEVATION - PREP AREA
1/2" = 1'-0"



ELEVATION - PREP AREA
1/2" = 1'-0"



ELEVATION - PIZZA AREA
1/2" = 1'-0"



ELEVATION - PREP AREA
1/2" = 1'-0"

Nash D'Amico's
FILE NAME:
DRAWN BY: David N
DATE: 01/03/11
△ REVISED
△ REVISED
△ REVISED
△ REVISED

ELEVATION DRAWINGS

Cisneros Design Studio
4021 Montrose Avenue
Houston, Texas 77006
713-590-7745

PDS PREFERRED FOODSERVICE DESIGN/SUPPLY INC.
1771 CROSSPOINT DRIVE
HOUSTON, TEXAS 77054
TEL. (713) 627-7337 FAX (713) 627-7340

Nash D'Amico's
Houston, Texas