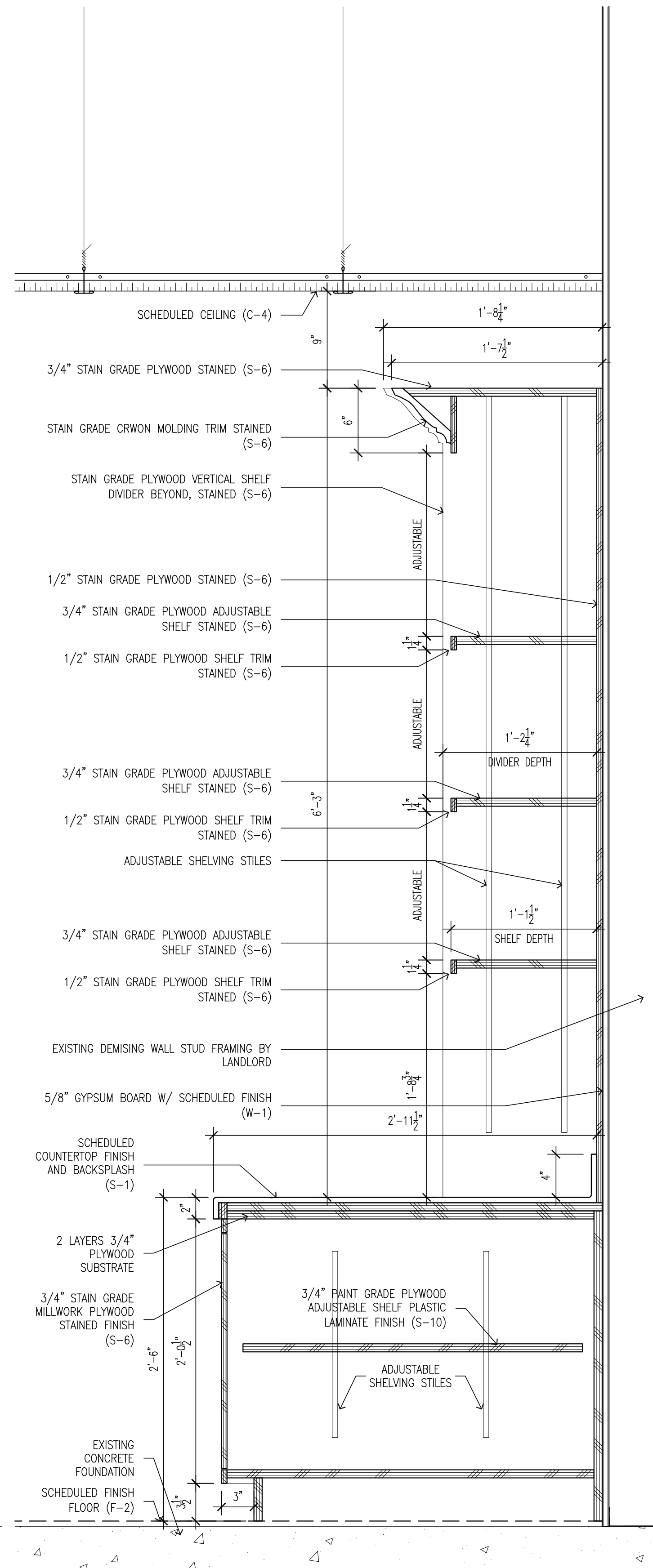
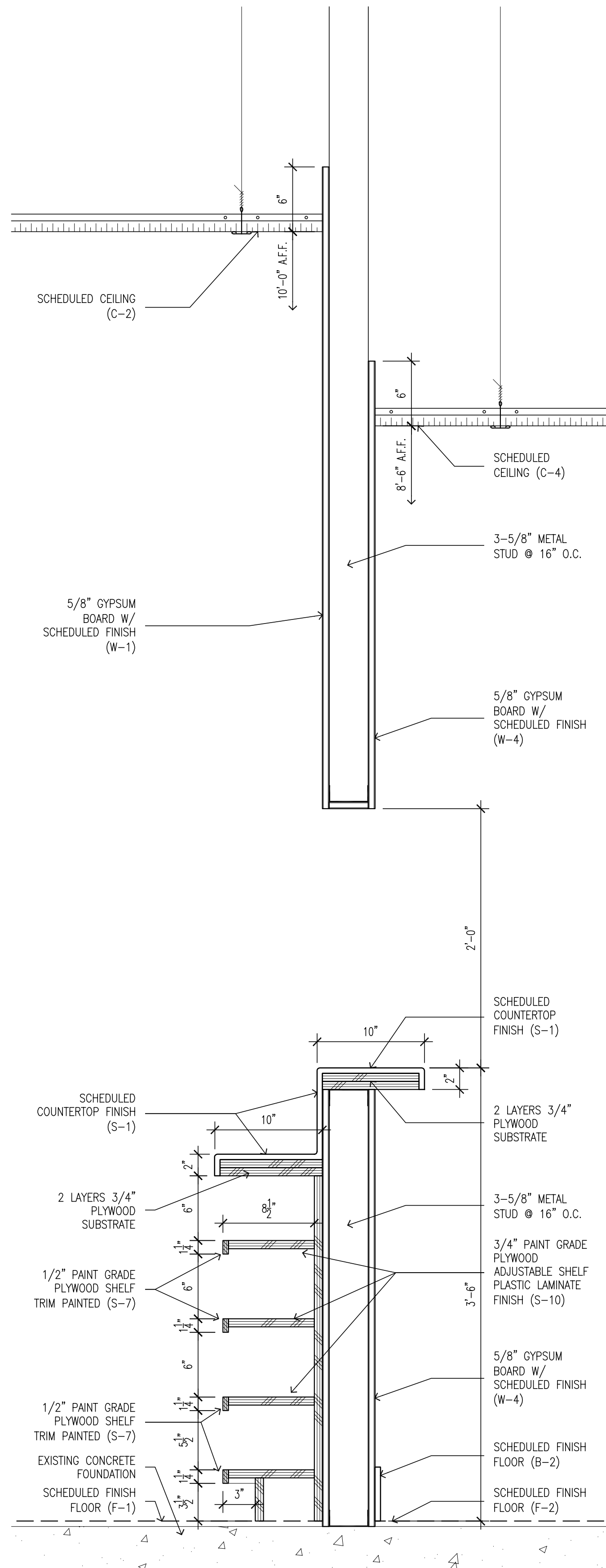


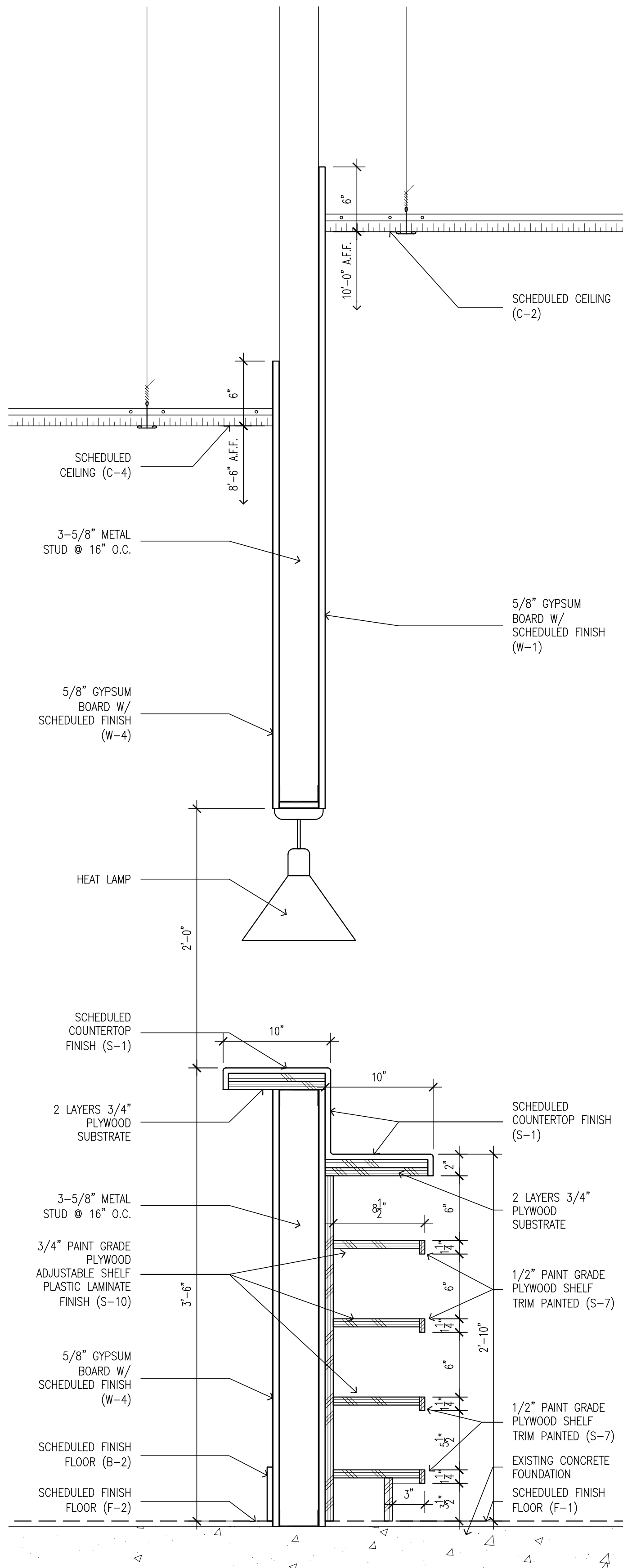
11  
A9.2  
**MILLWORK DETAIL**  
1-1/2"=1'-0"



7  
A9.2  
**MILLWORK DETAIL**  
1-1/2"=1'-0"



4  
A9.2  
**MILLWORK DETAIL**  
1-1/2"=1'-0"



1  
A9.2  
**MILLWORK DETAIL**  
1-1/2"=1'-0"

**CISNEROS DESIGN STUDIO,  
ARCHITECTS LLC**  
4621 Montrose Blvd. Suite B220 Houston, Texas 77006  
(PH) 713-520-7745 (FAX) 713-520-8894  
COPYRIGHT 2011  
CISNEROS DESIGN STUDIO, ARCHITECTS, LLC  
The drawings and specifications are instruments of service and shall remain the property of the Architect. They are not to be used on other projects or as a basis for construction without the written consent of the Architect. The Architect is not responsible for construction means, methods, techniques, sequences or procedures, or for safety precautions and programs in connection with the project.

**DAMICO'S RESTAURANT**  
2802 WHITE OAK, SUITE 500  
HOUSTON, TX 77007

ARCHITECT: ROMULO CISNEROS

NOT FOR REGULATORY  
APPROVAL PERMITTING  
OR CONSTRUCTION

ENGINEER:

REVISIONS:

DATE ISSUED: 21 FEB. 2011  
SHEET:

**A9.2**