

NEW INTERIOR METAL FRAMED WINDOW WITH TEMPERED GLASS

NEW EXTERIOR STOREFRONT GLAZING SYSTEM TO MATCH EXISTING BASE BUILDING STOREFRONT SYSTEM FINISH COLOR, FIXED GLAZING PANEL TO HAVE BORDER TO MATCH FRENCH DOORS
by: WESTERN WINDOW SYSTEMS, CONTACT NUMBER: 1-877-268-1300

NEW EXTERIOR STOREFRONT GLAZING SYSTEM TO MATCH EXISTING BASE BUILDING STOREFRONT SYSTEM, TO MATCH FINISH AND GLAZING TYPE

NEW EXTERIOR METAL FRAMED WINDOW TO MATCH EXISTING BASE BUILDING STOREFRONT SYSTEM IN FINISH AND GLAZING TYPE

WINDOW TYPES
A7.1 1/4"-1'-0"

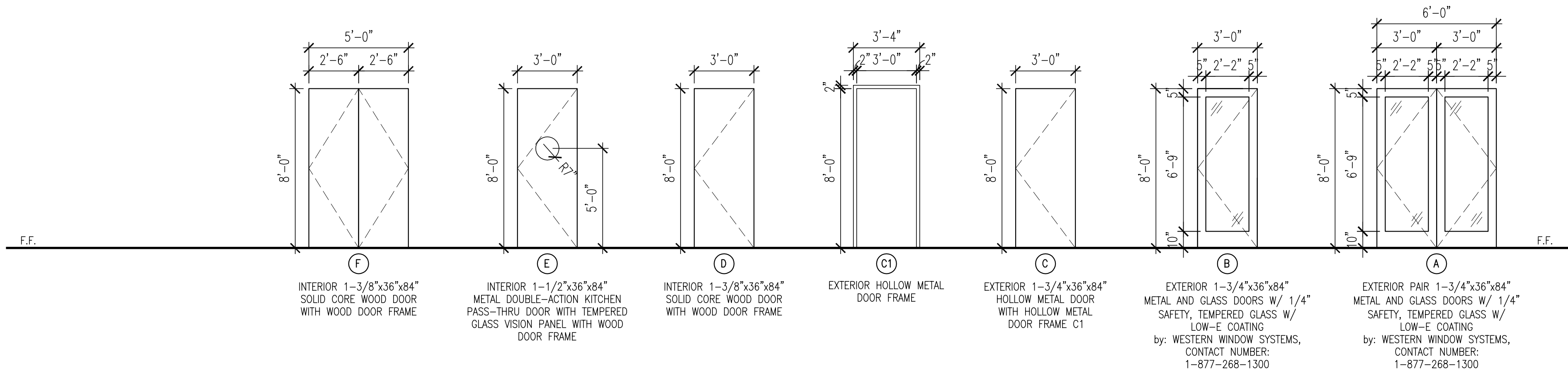
DOOR SCHEDULE

NUMBER	TYPE	MATL	WIDTH	HEIGHT	THICK	FINISH	FR. MATL	FR. FIN	HW SET	REMARKS
00	A	METAL/GLASS	PAIR 3'-0"	8'-0"	1-3/4"	BRONZE SF	STOREFRONT	BRONZE SF		
01A	B	METAL/GLASS	3'-0"	8'-0"	1-3/4"	BRONZE SF	STOREFRONT	BRONZE SF		
01B	B	METAL/GLASS	3'-0"	8'-0"	1-3/4"	BRONZE SF	STOREFRONT	BRONZE SF		
02A	A	METAL/GLASS	PAIR 3'-0"	8'-0"	1-3/4"	BRONZE SF	STOREFRONT	BRONZE SF		
02B	A	METAL/GLASS	PAIR 3'-0"	8'-0"	1-3/4"	BRONZE SF	STOREFRONT	BRONZE SF		
03	D	WOOD	3'-0"	8'-0"	1-3/8"	STAINED	WOOD	STAINED		
04	D	WOOD	3'-0"	8'-0"	1-3/8"	STAINED	WOOD	STAINED		
05	D	WOOD	3'-0"	8'-0"	1-3/8"	STAINED	WOOD	STAINED		
06	D	WOOD	3'-0"	8'-0"	1-3/8"	STAINED	WOOD	STAINED		
07A	D	WOOD	3'-0"	8'-0"	1-3/8"	PAINTED	WOOD	PAINTED		
07B	F	WOOD	PAIR 2'-6"	8'-0"	1-3/8"	PAINTED	WOOD	PAINTED		
08	C	METAL	3'-0"	8'-0"	1-3/4"	PAINTED	METAL	PAINTED		
09	E	METAL/GLASS	3'-0"	8'-0"	1"	PAINTED	WOOD	PAINTED		
10	E	METAL/GLASS	3'-0"	8'-0"	1"	PAINTED	WOOD	PAINTED		

DOOR SCHEDULE GENERAL NOTES

- CONTRACTOR TO SUBMIT PRODUCT DATA OR DETAILED SHOP DRAWINGS TO DESIGNER FOR REVIEW AND APPROVAL PRIOR TO FINAL INSTALLATION.
- CONTRACTOR TO SUBMIT FINISH SAMPLE TO DESIGNER FOR REVIEW AND APPROVAL PRIOR TO FINISHED APPLICATION OF STAIN AND/OR PAINT TO DOORS.
- FINISH SAMPLES TO BE 12" X 12" ON SAME MATERIAL TO BE FINISHED.
- ALL EXTERIOR DOORS TO BE WEATHER STRIPPED WITH COMPRESSION TYPE WEATHER STRIP AT HEAD, JAMBS AND SILLS.
- ALL THRESHOLDS TO BE ALUMINUM W/ BRUSHED ALUMINUM FINISH. THRESHOLDS TO BE NO GREATER THAN 1/2" ABOVE INTERIOR FINISHED FLOORS AND SHALL BE BEVELED WITH A SLOPE NO GREATER THAN 1:2.
- ALL DOOR HARDWARE TO BE SELECTED BY ARCHITECT AND PRIOR TO PURCHASE AND INSTALLATION OWNER IS TO HAVE FINAL APPROVAL.
- ALL GLASS IN DOORS AND SIDE LITES TO BE TEMPERED.
- ALL GLAZING IN DOORS TO BE HUMAN IMPACT RESISTANT PER ANSI Z97.1-1975.

DOOR SCHEDULE
A7.1



INTERIOR 1-3/8"x36"x84" SOLID CORE WOOD DOOR WITH WOOD DOOR FRAME

INTERIOR 1-1/2"x36"x84" METAL DOUBLE-ACTION KITCHEN PASS-THRU DOOR WITH TEMPERED GLASS VISION PANEL WITH WOOD DOOR FRAME

INTERIOR 1-3/8"x36"x84" SOLID CORE WOOD DOOR WITH WOOD DOOR FRAME

EXTERIOR HOLLOW METAL DOOR FRAME

EXTERIOR 1-3/4"x36"x84" HOLLOW METAL DOOR WITH HOLLOW METAL DOOR FRAME C1

EXTERIOR 1-3/4"x36"x84" METAL AND GLASS DOORS W/ 1/4" SAFETY, TEMPERED GLASS W/ LOW-E COATING
by: WESTERN WINDOW SYSTEMS, CONTACT NUMBER: 1-877-268-1300

EXTERIOR PAIR 1-3/4"x36"x84" METAL AND GLASS DOORS W/ 1/4" SAFETY, TEMPERED GLASS W/ LOW-E COATING
by: WESTERN WINDOW SYSTEMS, CONTACT NUMBER: 1-877-268-1300

DOOR TYPES
A7.1 1/4"-1'-0"

- 3 EA BUTT HINGES
- 1 EA LOCK SET LEVER
- 1 EA CYLINDER DEAD BOLT LOCK
- 1 EA SURFACE CLOSER
- 1 EA THRESHOLD
- 3 EA SILENCERS
- 1 EA OVERHEAD RAIN DRIP
- 1 EA WEATHERSTRIP

HARDWARE SET 09
STOREFRONT EXIT SINGLE

- 6 EA BUTT HINGES
- 1 EA LOCK SET LEVER
- 1 EA CYLINDER DEAD BOLT LOCK
- 2 EA SURFACE CLOSER
- 1 EA THRESHOLD
- 6 EA SILENCERS
- 1 EA OVERHEAD RAIN DRIP
- 1 EA WEATHERSTRIP

HARDWARE SET 08
STOREFRONT PAIR

- 6 EA BUTT HINGES
- 1 EA LOCK SET LEVER
- 1 EA CYLINDER DEAD BOLT LOCK
- 2 EA SURFACE CLOSER
- 2 EA PANIC EXIT DEVICE
- 1 EA THRESHOLD
- 6 EA SILENCERS
- 1 EA OVERHEAD RAIN DRIP
- 1 EA WEATHERSTRIP

HARDWARE SET 07
STOREFRONT EXIT PAIR

HARDWARE SET 06
KITCHEN PASS-THRU

- 3 EA HINGE
- 1 EA PRIVACY/ENTRANCE LEVER LOCK SET
- 1 EA SURFACE CLOSER
- 1 EA DOOR STOP
- 3 EA SILENCER
- 1 EA WALL STOP
- 1 EA OVERHEAD RAIN DRIP
- 1 EA WEATHERSTRIP
- 1 EA DRIP CAP
- 1 EA DOOR STOP
- 1 EA PANIC EXIT DEVICE

HARDWARE SET 05
RECEIVING

- 6 EA HINGE
- 1 EA STOREROOM LEVER LOCK SET
- 1 EA MANUAL FLUSH BOLT
- 1 EA SURFACE CLOSER
- 2 EA DOOR STOP
- 6 EA SILENCER

HARDWARE SET 04
STORAGE

HARDWARE SET 03
RESTROOMS

- 3 EA HINGE
- 1 EA PRIVACY/ENTRANCE LEVER LOCK SET
- 1 EA SURFACE CLOSER
- 3 EA SILENCER

HARDWARE SET 02

- 3 EA HINGE
- 1 EA PUSH PLATE
- 1 EA PULL PLATE
- 1 EA SURFACE CLOSER
- 1 EA DOOR STOP
- 3 EA SILENCER

HARDWARE SET 01
VESTIBULE

HARDWARE SCHEDULE
A7.1

CISNEROS DESIGN STUDIO, ARCHITECTS LLC
4621 Montrose Blvd. Suite B220 Houston, Texas 77006
(PH) 713-520-7745 (FAX) 713-520-8894
CISNEROS DESIGN STUDIO, ARCHITECTS, LLC
COPYRIGHT 2011
The drawings and specifications are instruments of service and shall remain the property of the Architect. They are not to be used on other projects or in any way without the written consent of the Architect. The Architect shall not be responsible for construction means, methods, techniques, sequences or procedures, or for safety precautions and programs in connection with the project.

DAMICO'S RESTAURANT
2802 WHITE OAK, SUITE 500
HOUSTON, TX 77007

ARCHITECT: ROMULO CISNEROS

NOT FOR REGULATORY APPROVAL PERMITTING OR CONSTRUCTION

ENGINEER:

REVISIONS:

DATE ISSUED: 21 FEB. 2011

SHEET:

A7.1