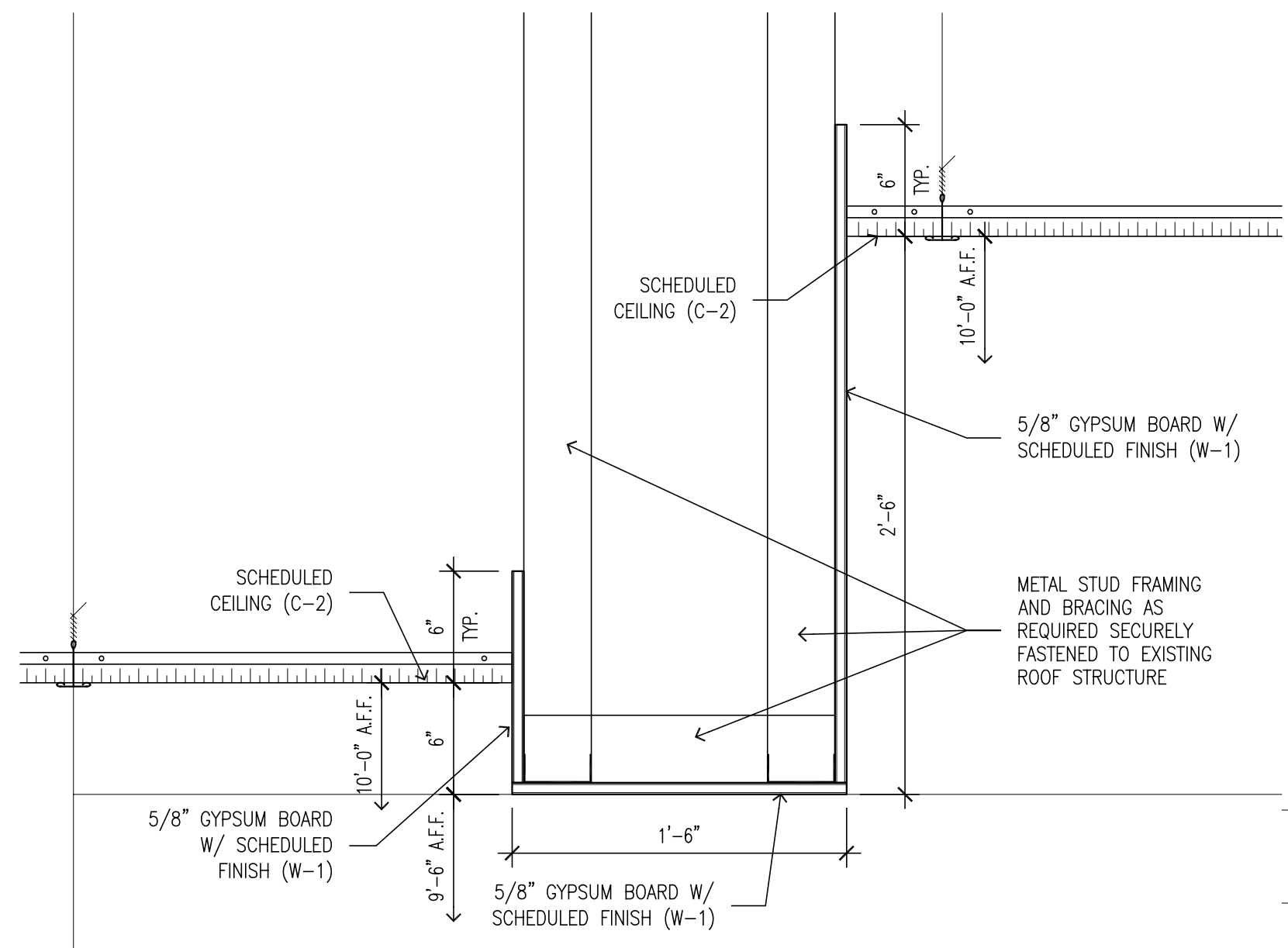
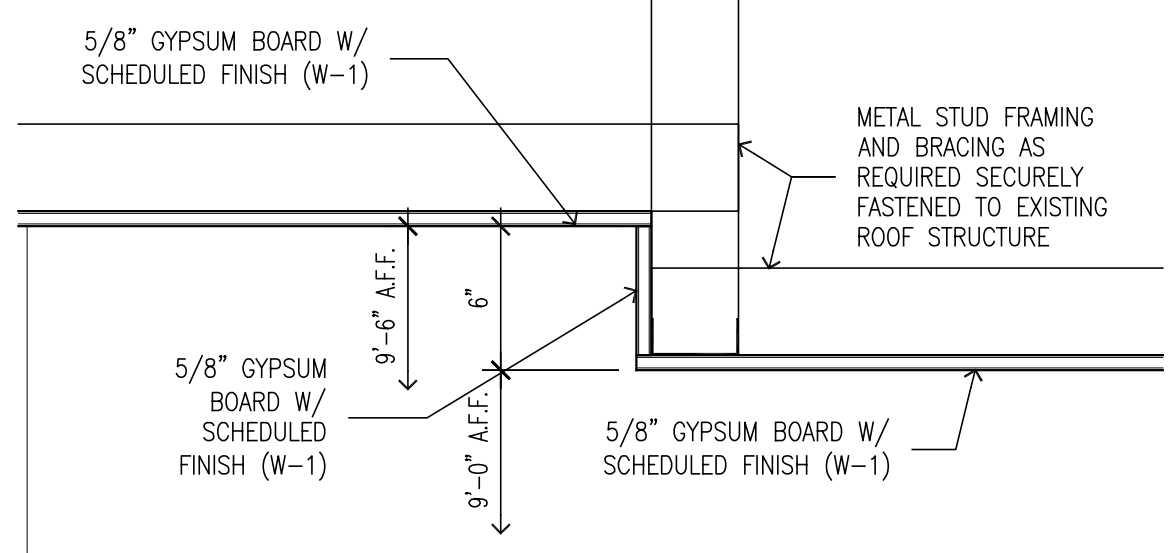


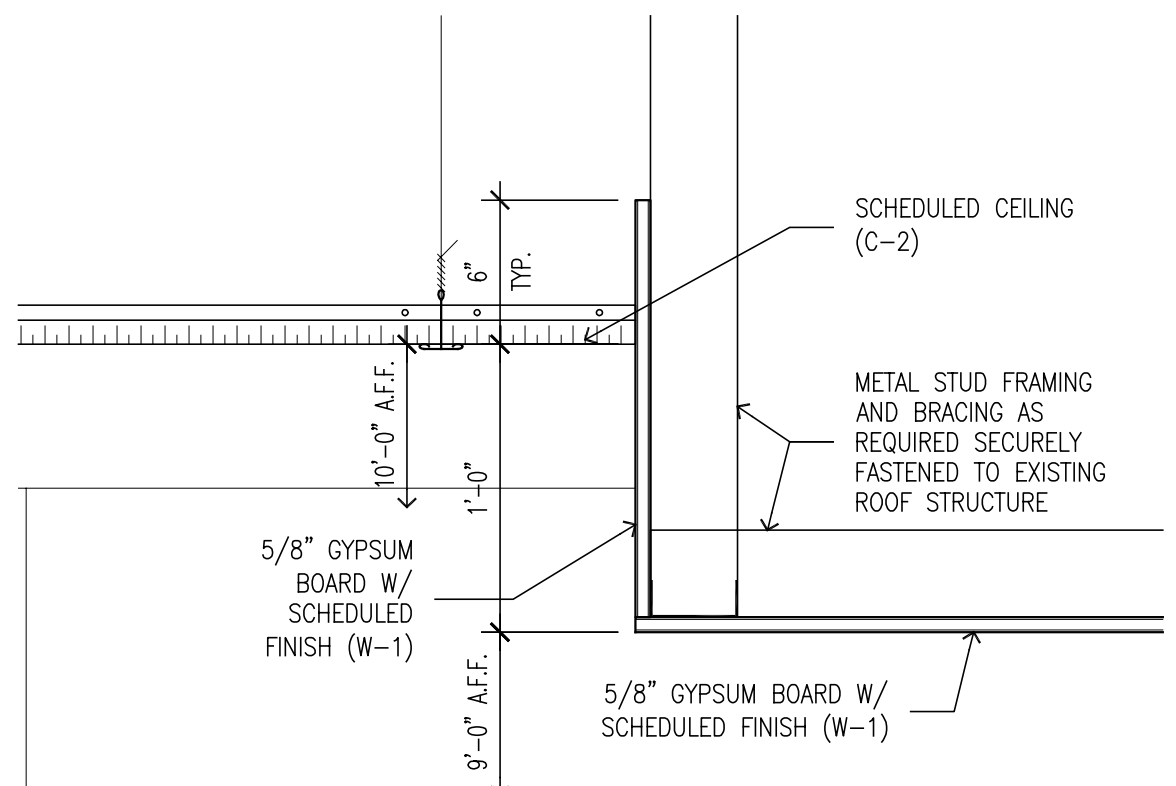
8
A6.4
SECTION DETAIL
1-1/2" x 1'-0"



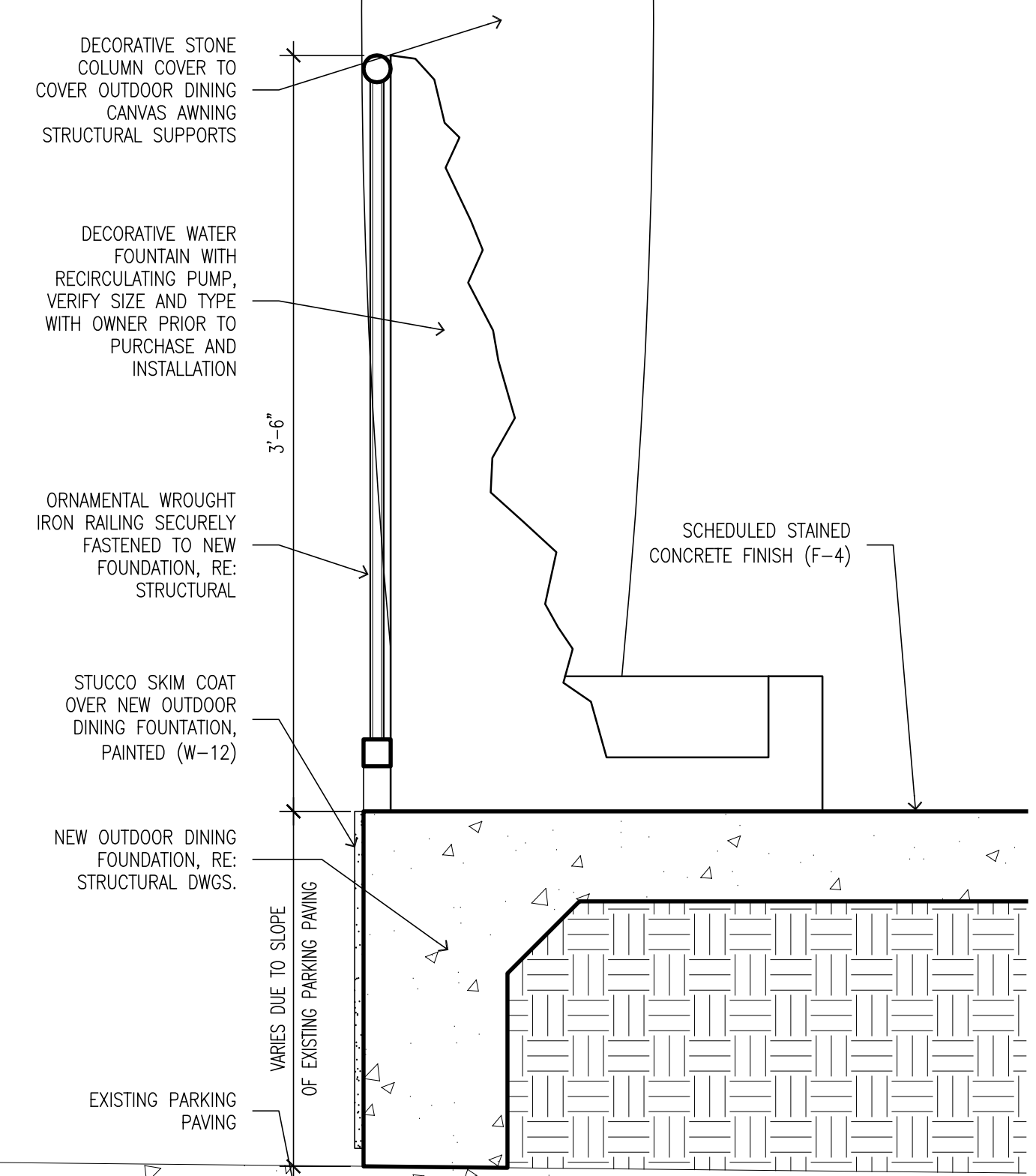
7
A6.4
SECTION DETAIL
1-1/2" x 1'-0"



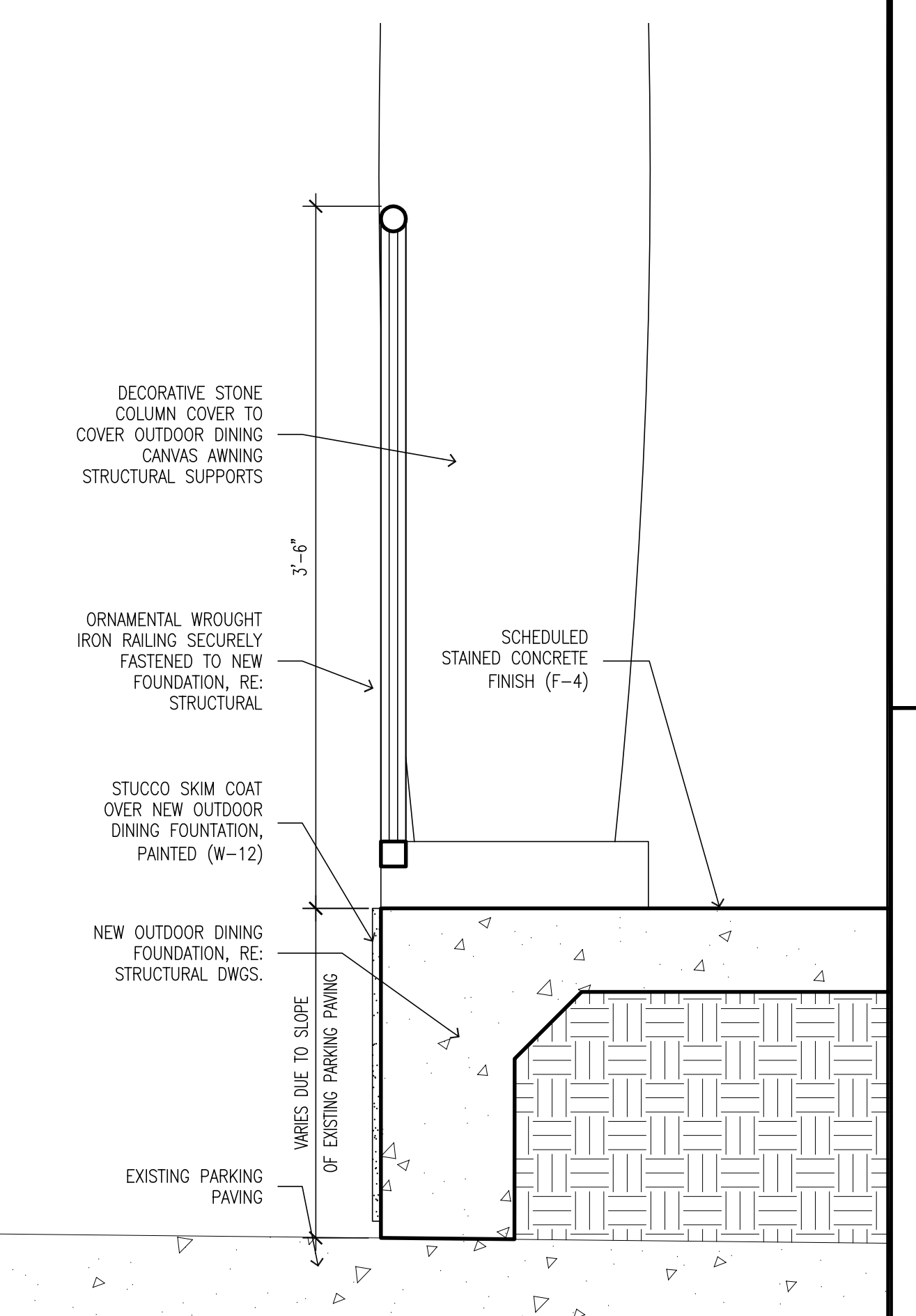
6
A6.4
SECTION DETAIL
1-1/2" x 1'-0"



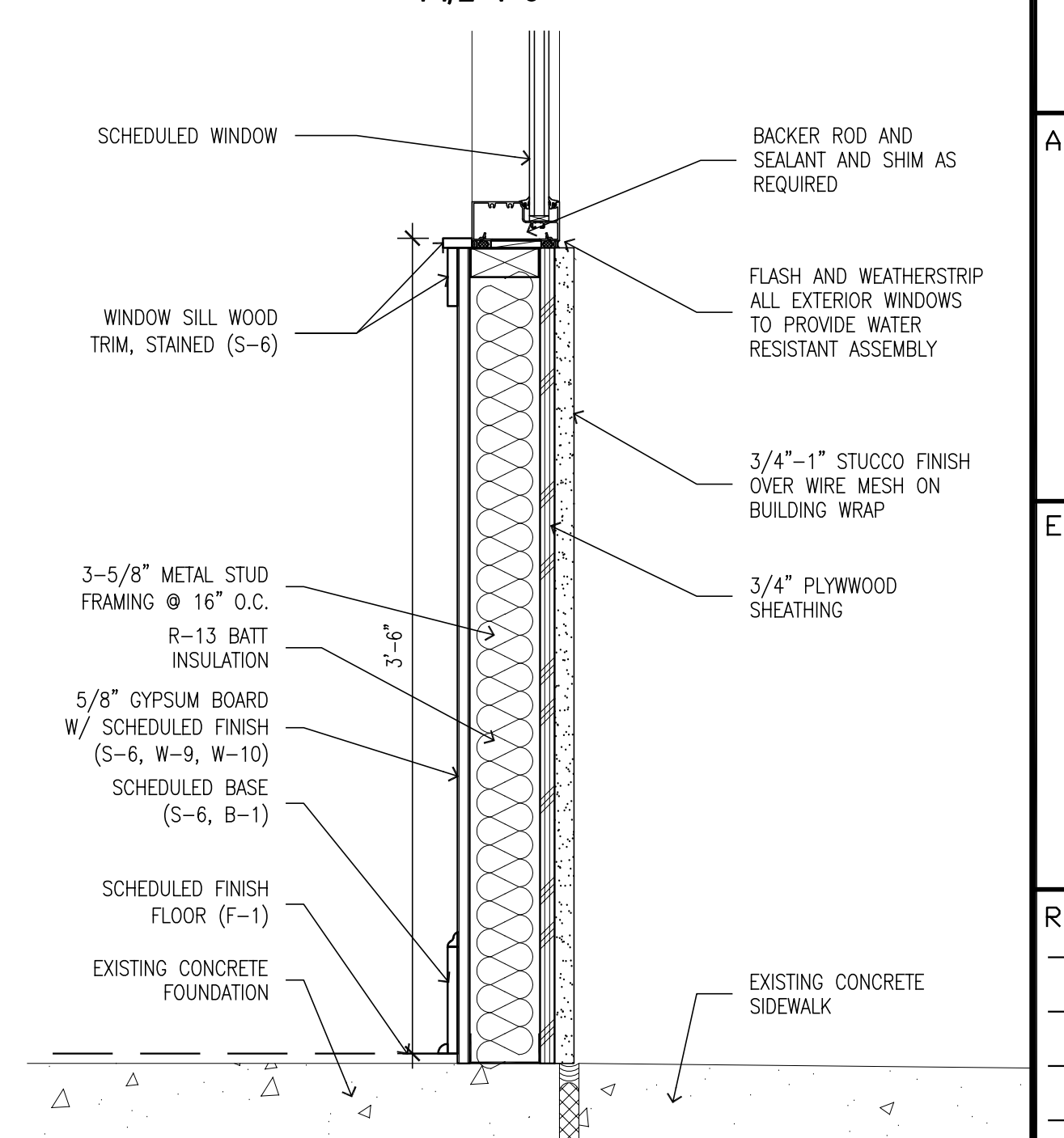
5
A6.4
SECTION DETAIL
1-1/2" x 1'-0"



4
A6.4
SECTION DETAIL
1-1/2" x 1'-0"



2
A6.4
SECTION DETAIL
1-1/2" x 1'-0"



1
A6.4
SECTION DETAIL
1-1/2" x 1'-0"

**CISNEROS DESIGN STUDIO,
ARCHITECTS LLC**
4621 Montrose Blvd. Suite B220 Houston, Texas 77006
(PH) 713-520-7745 (FAX) 713-520-8894
COPYRIGHT 2011
CISNEROS DESIGN STUDIO, ARCHITECTS, LLC
The drawings and specifications are instruments of service and shall remain the property of the Architect. They are not to be used on other projects or reprinted in any form without the written consent of the Architect. The Architect shall not be held responsible for construction means, methods, techniques, sequences or procedures, or for safety precautions and programs in connection with the project.

DAMICO'S RESTAURANT
2802 WHITE OAK, SUITE 500
HOUSTON, TX 77007

ARCHITECT: ROMULO CISNEROS

NOT FOR REGULATORY
APPROVAL PERMITTING
OR CONSTRUCTION

ENGINEER:

REVISIONS:

DATE ISSUED: 21 FEB. 2011
SHEET:

A6.4