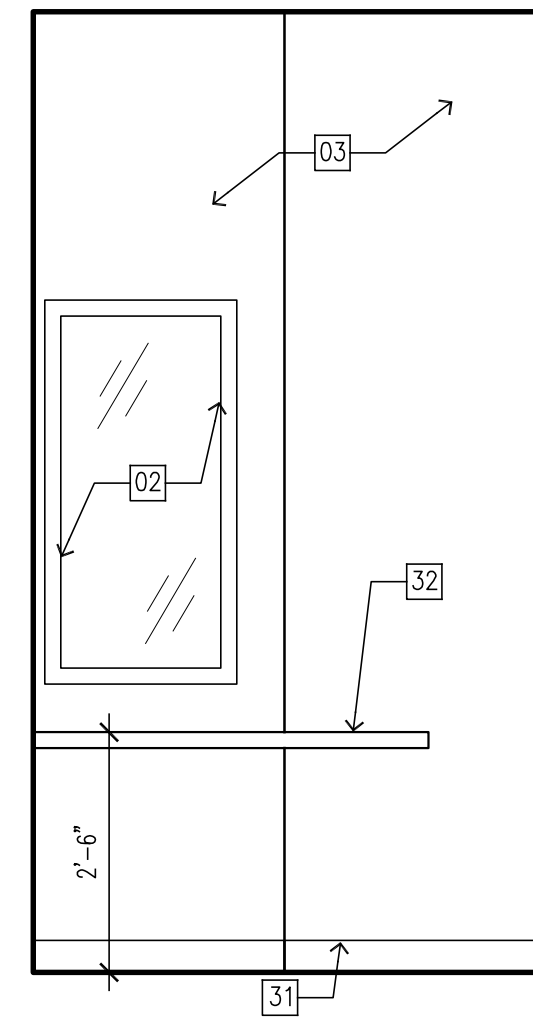
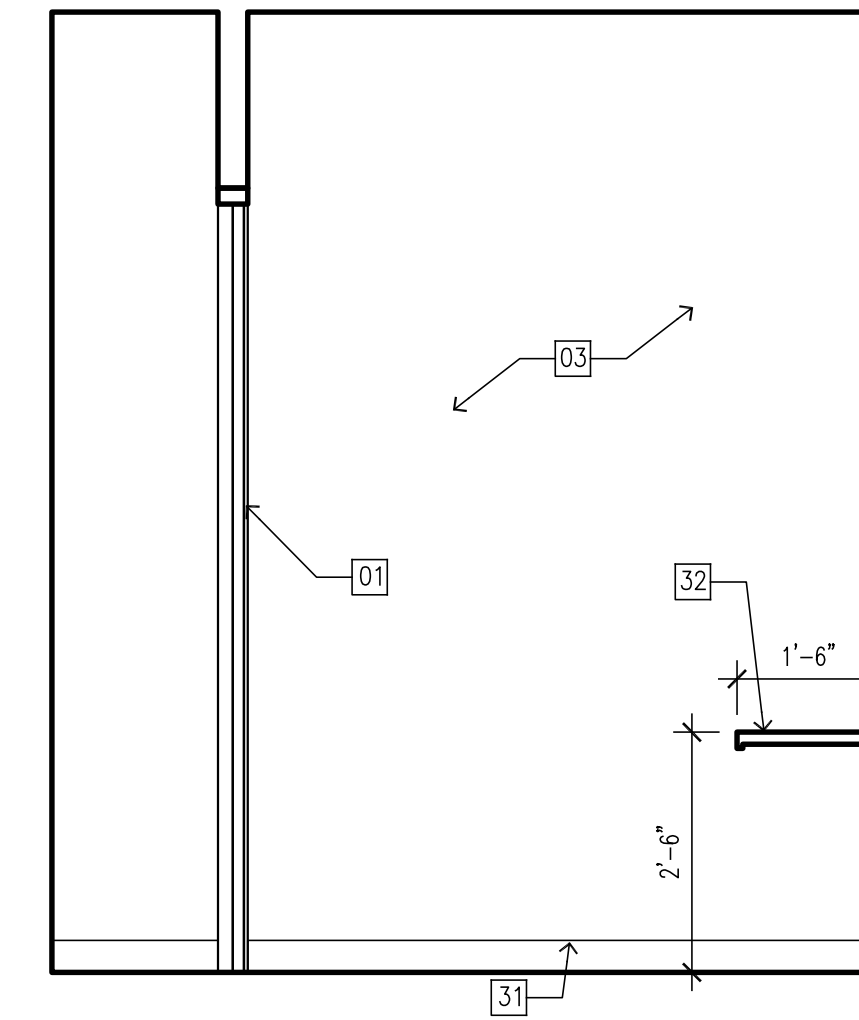


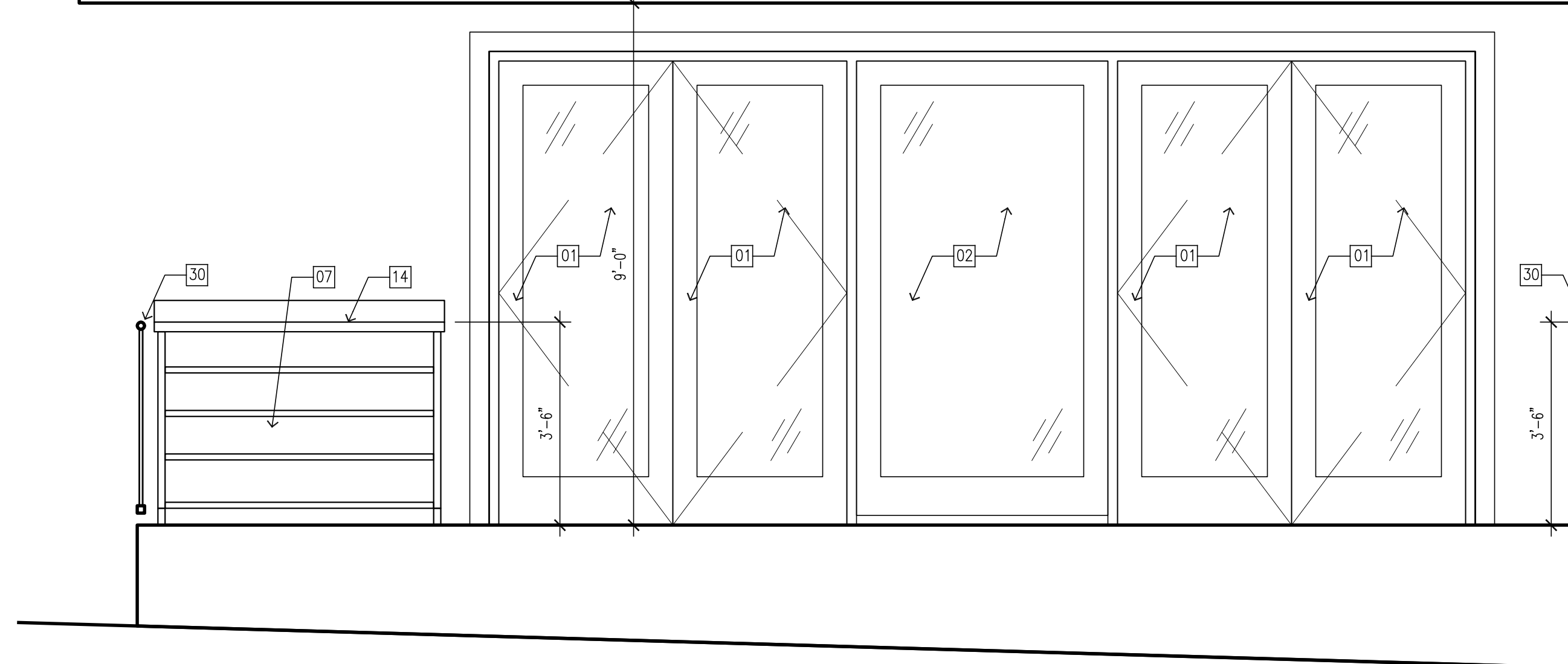
9  
A5.5  
**INTERIOR ELEVATION**  
1/2"=1'-0" AT MANAGER OFFICE 107



6  
A5.5  
**INTERIOR ELEVATION**  
1/2"=1'-0" AT MANAGER OFFICE 107



3  
A5.5  
**INTERIOR ELEVATION**  
1/2"=1'-0" AT MANAGER OFFICE 107



1  
A5.5  
**INTERIOR ELEVATION**  
1/2"=1'-0" AT OUTDOOR DINING 103

**INTERIOR ELEVATION GENERAL NOTES:**

1. STAGING OF ALL NEW MATERIAL SHALL BE WELL MANAGED IN ORDER NOT TO DISRUPT THE SITE, SITE ACCESS, AND OVERALL APPEARANCE TO THE SURROUNDING AREAS.
2. ALL CABINETS SHOULD MEET AWI CUSTOM STANDARDS
3. REFER TO THE FINISH SCHEDULE FOR INTERIOR MATERIAL SELECTIONS
4. STAINLESS STEEL WALL PANEL FINISH TO BE INSTALLED UP TO 42" A.F.F. MINIMUM BEHIND HEAT PRODUCING KITCHEN EQUIPMENT.
5. STAINLESS STEEL WALL FINISH ABOVE COUNTERTOPS TO UNDERSIDE OF UPPER CABINETS SERVICE LINE BACK WALL.
6. KITCHEN AND OFFICE SPACE TO HAVE FLOOR TO CEILING FRP (WHITE) WALL FINISH THROUGHOUT EXCEPT AS DESCRIBED IN INTERIOR ELEVATION GENERAL NOTE #4.

**INTERIOR ELEVATION KEYED NOTES:**

NOT ALL KEYED NOTES WILL BE USED ON THIS SHEET

- 01 SCHEDULED DOOR, RE: DOOR SCHEDULE
- 02 SCHEDULED WINDOW, RE: WINDOW SCHEDULE
- 03 SCHEDULED WALL FINISH, RE: FINISH SCHEDULE
- 04 SCHEDULED PLUMBING FIXTURE, RE: MEP DWGS
- 05 STAIN-GRADE UPPER CABINETS, STAINED (S-6)
- 06 STAIN-GRADE BASE CABINETS, STAINED (S-6)
- 07 PAINT-GRADE BASE CABINETS, PAINTED (S-7)
- 08 PAINT-GRADE MILLWORK SHELING, PAINTED (S-6)
- 09 STAIN-GRADE WAINSCOT ASSEMBLY 42" TALL WITH WOOD BASE, BEAD-BOARD FILLER PANEL, AND WOOD CHAIR-RAIL TRIM, STAINED (S-6)
- 10 STAIN-GRADE 2" DECORATIVE WOOD CHAIR-RAIL TRIM (NO FINGERJOINTS) STAINED (S-6) (SIM TO DETERING D-CAP1 PROFILE)
- 11 STAIN-GRADE BEAD BOARD (VERTICAL BEADS) STAINED (S-6)
- 12 STAIN-GRADE 6" DECORATIVE WOOD BASE WITH 1/4 ROUND (NO FINGERJOINTS) STAINED (S-6) (SIM TO DETERING D6-614 AND D-QR34 PROFILES)
- 13 GRANITE COUNTERTOP (S-2)
- 14 STAINLESS STEEL COUNTERTOP (S-1)
- 15 WOOD BUTCHER-BLOCK COUNTERTOP (S-3)
- 16 SCHEDULED WHITE FRP WALL PANEL FINISH (W-4)
- 17 STAINLESS STEEL WALL PANEL FINISH BEHIND SCHEDULED KITCHEN EQUIPMENT (W-5)
- 18 SUSPENDED 2"Ø STEEL PIPE RAIL FOR DECORATIVE DISPLAY HANGINGS, PAINTED (S-4)
- 19 2"Ø STEEL PIPE RAIL FOOTREST PAINTED (S-4), SECURELY FASTENED TO EXISTING FOUNDATION AS REQUIRED
- 20 SCHEDULED FOOD SERVICE EQUIPMENT, RE: FOOD SERVICE PLANS
- 21 OWNER PROVIDED COURTESY WAITING BENCH
- 22 6"x6" CERAMIC WALL TILE UP TO CEILING WITH 6" COVE BASE AND 2-ROW 4"x4" DECORATIVE TILE ACCENT BAND AT 42" A.F.F.
- 23 16"x16" CERAMIC WALL TILE UP TO 42" A.F.F. WITH 3"x16" BULLNOSE TILE TRIM
- 24 PAINT-GRADE DECORATIVE WOOD WINDOW TRIM (NO FINGERJOINTS) (SIM TO ATTACHED PHOTO FOR DETAILING)
- 25 DINING BOOTH, OWNER PROVIDED GC INSTALLED
- 26 STUCCO COVERED MASONRY WOOD FIRED PIZZA OVEN
- 27 EXISTING EXPOSED BASE BUILDING STRUCTURAL FRAMING PAINTED (S-7)
- 28 DECORATIVE DISPLAY SHELF, PAINTED
- 29 DECORATIVE STONE COLUMN COVER
- 30 DECORATIVE WROUGHT IRON GUARD RAILING
- 31 SCHEDULED QUARRY TILE BASE
- 32 PLASTIC LAMINATE COUNTERTOP
- 33 DECORATIVE WATER FOUNTAIN WITH RECIRCULATING PUMP

**CISNEROS DESIGN STUDIO, ARCHITECTS LLC**  
4621 Montrose Blvd. Suite B220 Houston, Texas 77006  
(PH) 713-520-7745 (FAX) 713-520-8894  
CISNEROS DESIGN STUDIO, ARCHITECTS LLC  
COPYRIGHT 2011  
The drawings and specifications are instruments of service and shall remain the property of the Architect. They are not to be used as shop drawings or materials for this project except by agreement in writing and with appropriate compensation to the Architect. Contractor is responsible for obtaining all necessary permits, approvals, and for safety procedures and programs in connection with the project.

**DAMICO'S RESTAURANT**  
2802 WHITE OAK, SUITE 500  
HOUSTON, TX 77007

ARCHITECT: ROMULO CISNEROS

NOT FOR REGULATORY  
APPROVAL PERMITTING  
OR CONSTRUCTION

ENGINEER:

REVISIONS:

DATE ISSUED: 21 FEB. 2011  
SHEET:

**A5.5**