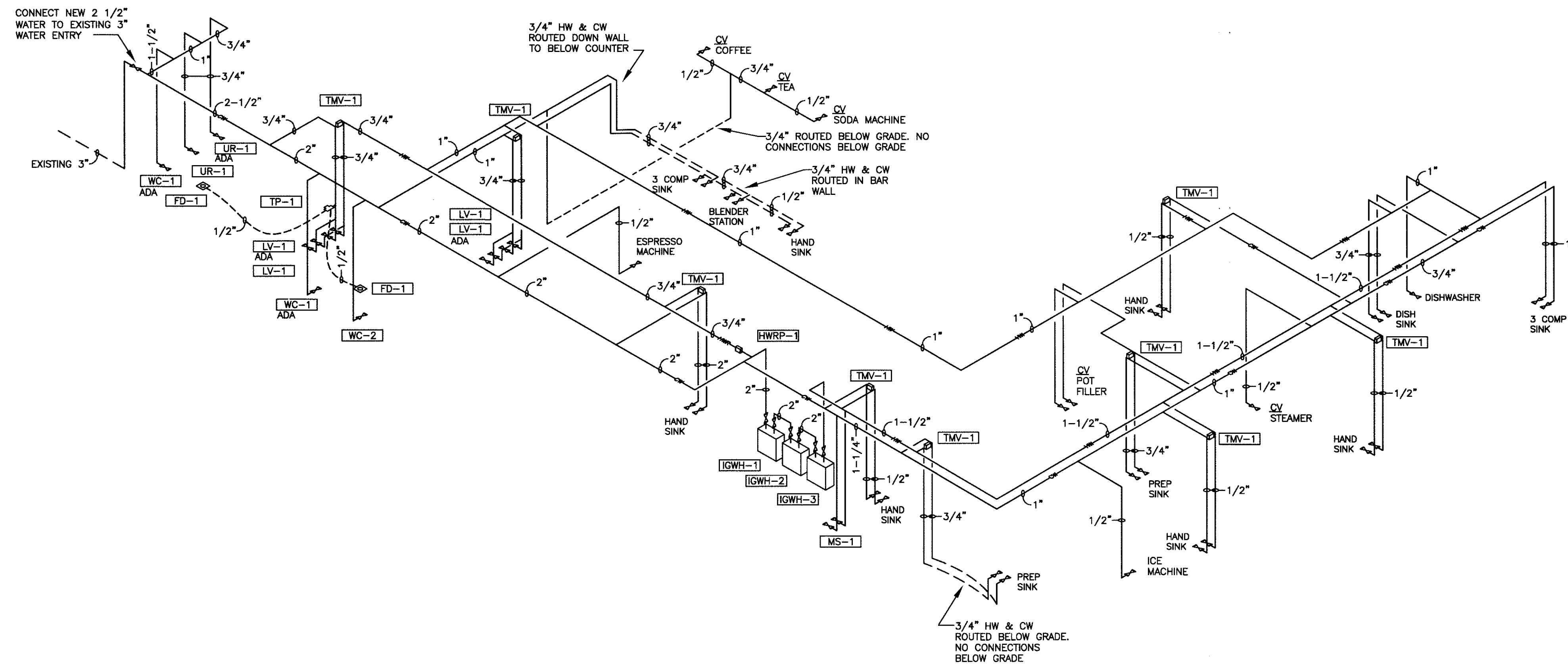


3418 NORTH LAMAR BOULEVARD
AUSTIN, TEXAS 78705

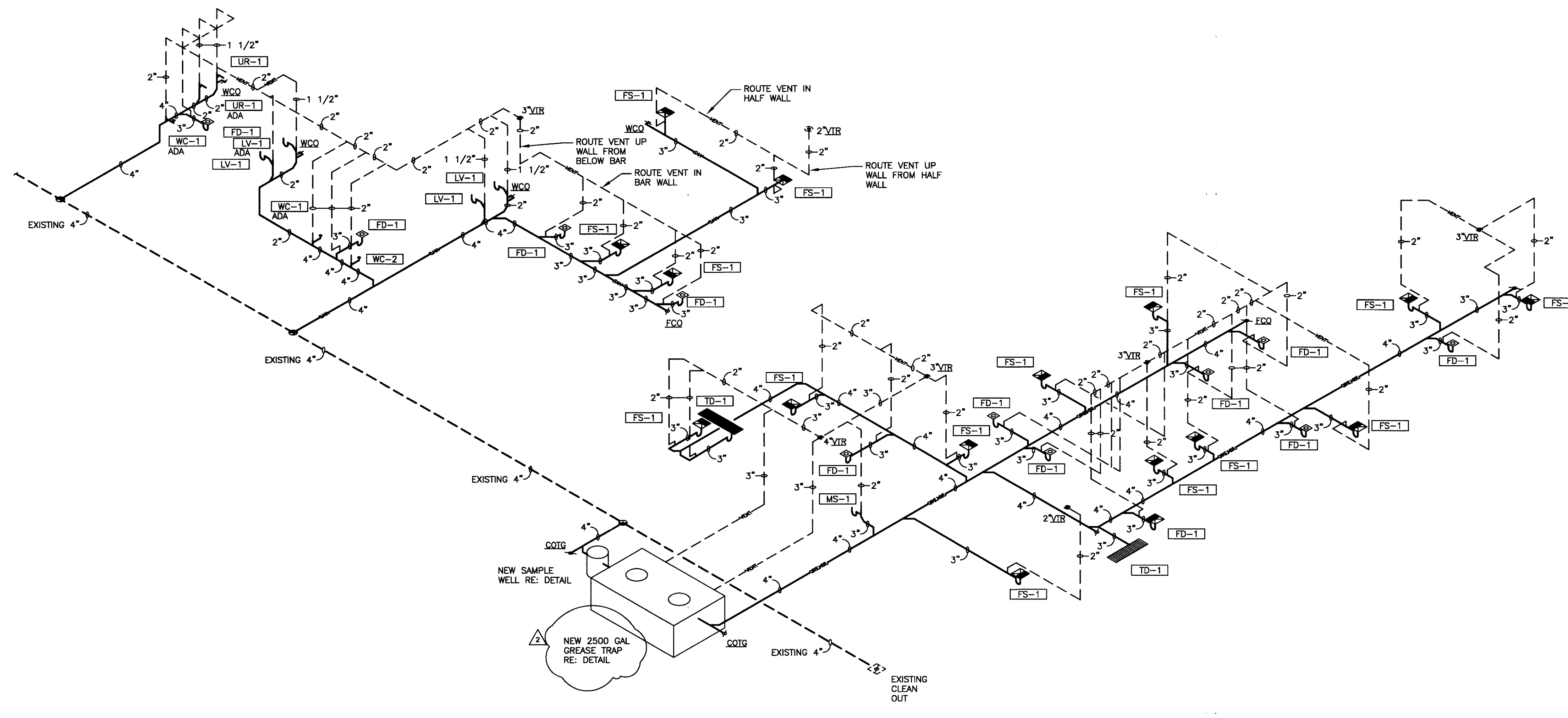
711 Louisiana
Suite 300
Houston, Texas 77002
Tel: 713.844.0000
Fax: 713.844.0001

Gensler

Issue	Date & Issue Description	By	Check
01	12/04/09 PERMIT/CONSTRUCTION		
02	1/22/10 CITY COMMENTS		



2 ISOMETRIC WATER RISER



1 ISOMETRIC SANITARY RISER

Seal/Signature

PROJECT #0206
H.M. McLEOD, P.E.
4727 MERWIN ST. SUITE B
HOUSTON, TEXAS 77027
OFFICE: (713) 961-2899
FAX: (713) 961-5691

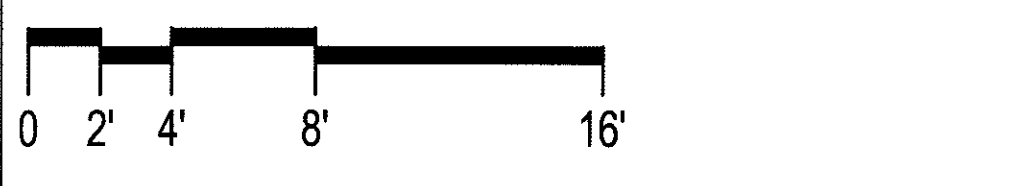
© 2010 H.M. McLeod, P.E.
Drawings, written material, and design concepts shall not be used or reproduced in whole or part in any form or format without prior written consent of H.M. McLeod, P.E.

Project Name
CAFE EXPRESS / AUSTIN

Project Number
02.6924.001
CAD File Name

Description

Scale
PLUMBING RISERS



P-6