

| Issue | Date & Issue Description | By | Check |
|-------|------------------------------|----|-------|
| 01 | 12/04/09 PERMIT/CONSTRUCTION | | |
| 02 | 1/22/10 CITY COMMENTS | | |

PROJECT #0206
H.M. McLEOD, P.E.
4727 MERWIN ST. SUITE B
HOUSTON, TEXAS 77027
OFFICE: (713) 961-2699
FAX: (713) 961-5691

© 2010 H.M. McLeod, P.E.
Drawings, written material, and design
concepts shall not be used or reproduced in
whole or part in any form or format without
prior written consent of H.M. McLeod, P.E.

Project Name
CAFE EXPRESS / AUSTIN

Project Number
02.6924.001

CAD File Name

Description
**FLOOR PLAN
SANITARY**

Scale



GREASE INTERCEPTOR

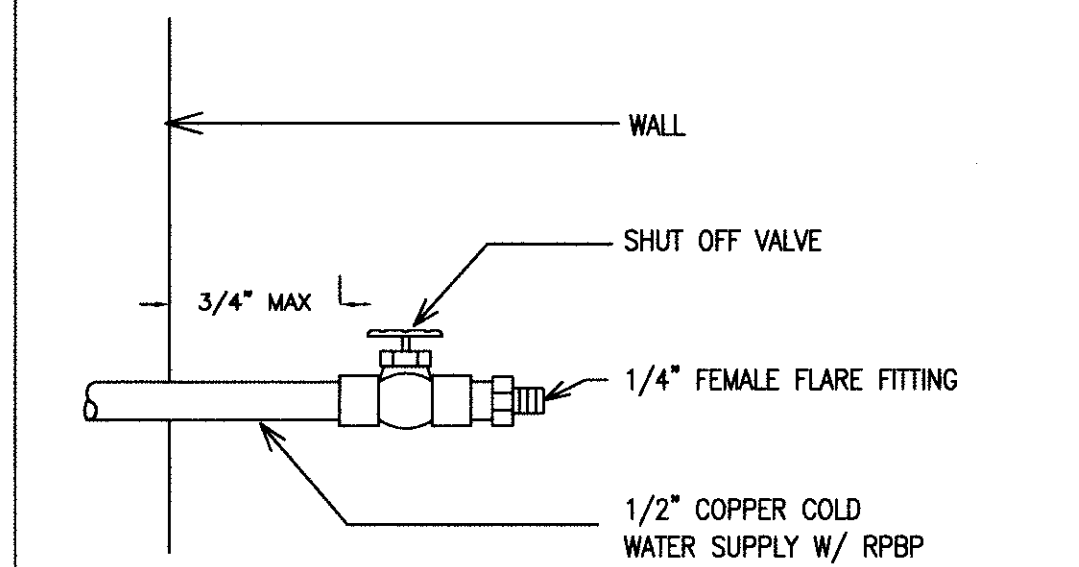
| | | | | |
|-------------------------------|-----------------|----------------|------------------|--|
| NUMBER OF MEALS PER PEAK HOUR | WASTE FLOW RATE | RETENTION TIME | X STORAGE FACTOR | = APPROX. INTERCEPTOR SIZE (LIQUID CAPACITY) |
| 105 | 6 | 2.5 | 1.0 | 2325 GALLONS |
| NOTE #1 | NOTE #2 | NOTE #3 | NOTE #4 | REFER TO DETAIL |

NOTE:
1. SEATING CAPACITY X MEAL FACTOR = NUMBER OF MEALS PER PEAK HOUR
RESTAURANT MINUTES PER MEAL = 233 MEAL FACTOR = 1.0
2. WASTE FLOW RATE:
DISCHARGE WITH 140° F. DISHWASHER MACHINE = 6 GALLON FLOW
3. RETENTION TIME:
COMMERCIAL KITCHEN WASTE DISHWASHER = 2.5 HOURS
4. STORAGE FACTOR:
FULLY EQUIPPED COMMERCIAL KITCHEN HOURS OF OPERATION = 1.0 STORAGE FACTOR

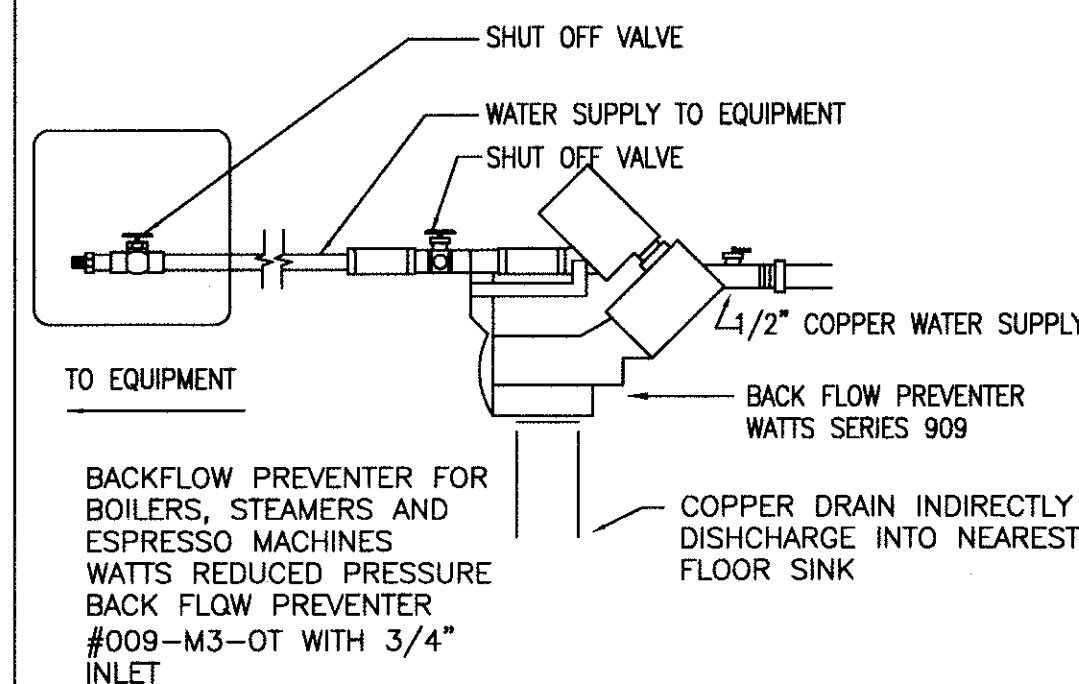
NEW 2500 GALLON TRAP WILL BE UTILIZED
REFER TO GREASE INTERCEPTOR DETAIL ON PLUMBING SHEET PARK EQUIPMENT COMPANY, INC.

SEATING CAPACITY OF RESTAURANT = 233 People

5 GREASE TRAP CALCULATIONS



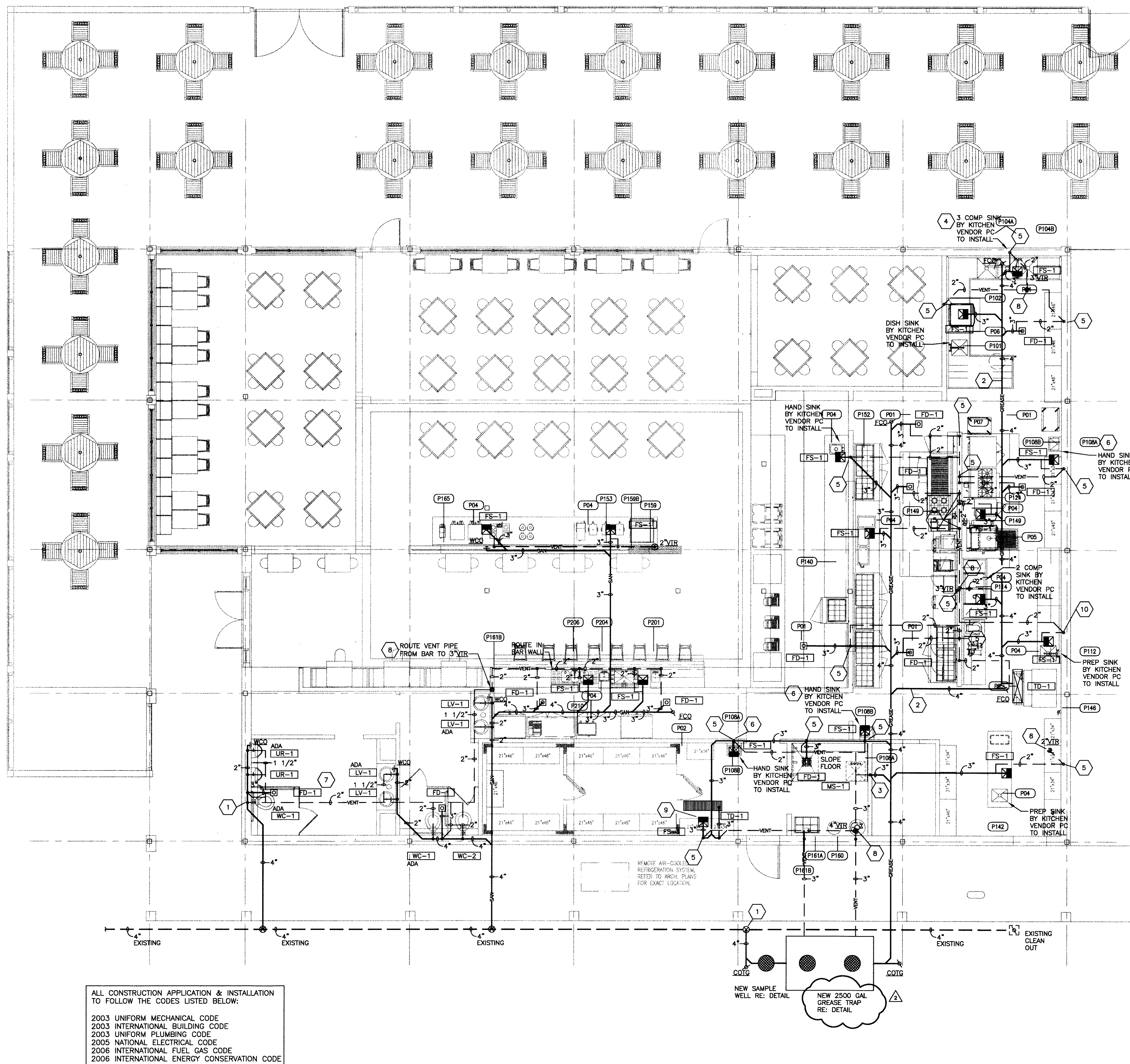
4 SHUT OFF VALVE FOR 1/4" WATER LINES



3 BACKFLOW PREVENTER SODA/COFFEE/ICE

- COORDINATE LOCATION OF EXIST. SANITARY SEWER LINE WITH EXISTING CONDITIONS. FIELD VERIFY LOCATION. CONNECT NEW SANITARY PIPING SERVICE SEWER TO EXISTING
- MINIMUM SLOPE FOR SANITARY SEWER LINE TO BE 1/8" PER FOOT FOR 4" SANITARY LINES. 1/4" MIN. SLOPE PER FOOT FOR 2", 3" & 4" LINES.
- 3" WASTE DOWN 2" VENT UP FROM MOP SINK.
- 2" INDIRECT WASTE FROM THREE COMPARTMENT SINK TO BE DISCHARGED INTO FLOOR SINK.
- 2" VENT UP WALL FROM FLOOR SINK/DRAIN
- ROUTE INDIRECT DRAIN DISCHARGE FROM HAND SINK TO FLOOR SINK. PLUMBING CONTRACTOR TO VERIFY SIZE AND MAKE FINAL CONNECTION TO ALL KITCHEN EQUIPMENT.
- REFER TO PLUMBING FIXTURE SCHEDULE FOR FIXTURE TYPES AND PLUMBING CONNECTION. TYPICAL.
- ROUTE VENT UP THROUGH ROOF. COORDINATE WITH STRUCTURE.
- ROUTE INDIRECT CONDENSATE DISCHARGE FROM ICE MACHINE TO FLOOR DRAIN. PLUMBING CONTRACTOR TO VERIFY SIZE AND MAKE FINAL CONNECTION TO ALL KITCHEN EQUIPMENT.
- 2" VENT UP WALL FROM TRENCH DRAIN

2 SANITARY SEWER KEYED NOTES



ALL CONSTRUCTION APPLICATION & INSTALLATION TO FOLLOW THE CODES LISTED BELOW:
2003 UNIFORM MECHANICAL CODE
2003 INTERNATIONAL BUILDING CODE
2003 UNIFORM PLUMBING CODE
2005 NATIONAL ELECTRICAL CODE
2006 INTERNATIONAL FUEL GAS CODE
2006 INTERNATIONAL ENERGY CONSERVATION CODE

1 FLOOR PLAN SANITARY

SCALE: 3/16" = 1'-0"