



ISSUE
02-27-12 LANDLORD REVIEW
02-28-12 FOR PERMIT & PRICING

HARRELL
ARCHITECTS, LP

9575 Katy Frwy., #200
Houston, Texas 77024
tel: 713.722.7071
fax: 713.722.7072

CONSULTANTS
Holste & Associates, Inc.
MEP Engineers

PROJECT NAME



Cafe Express Restaurant

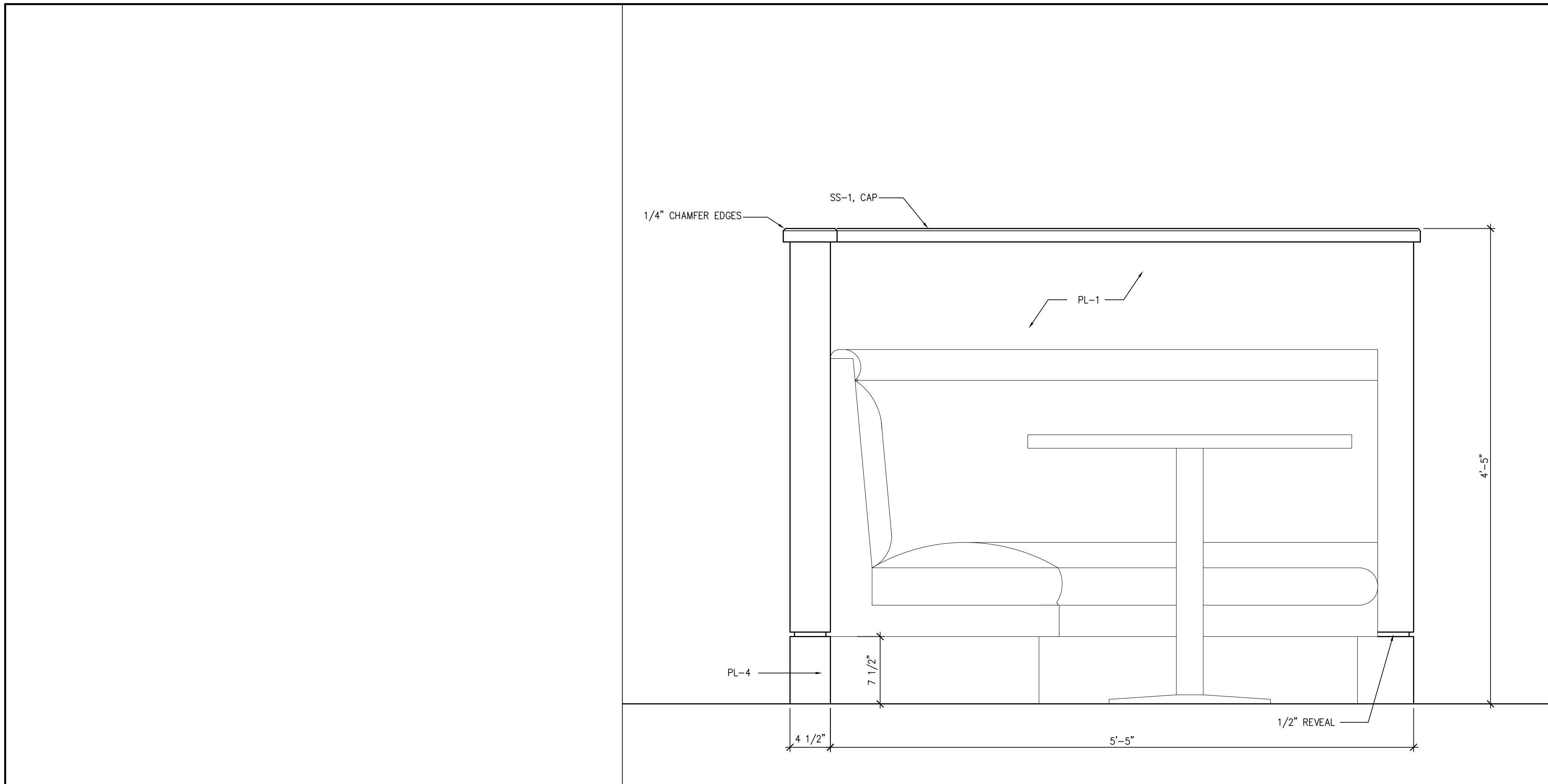
PROJECT ADDRESS
1111 Eldridge Parkway #100
Houston, Texas 77077

PROJECT NUMBER
11052
SHEET NAME

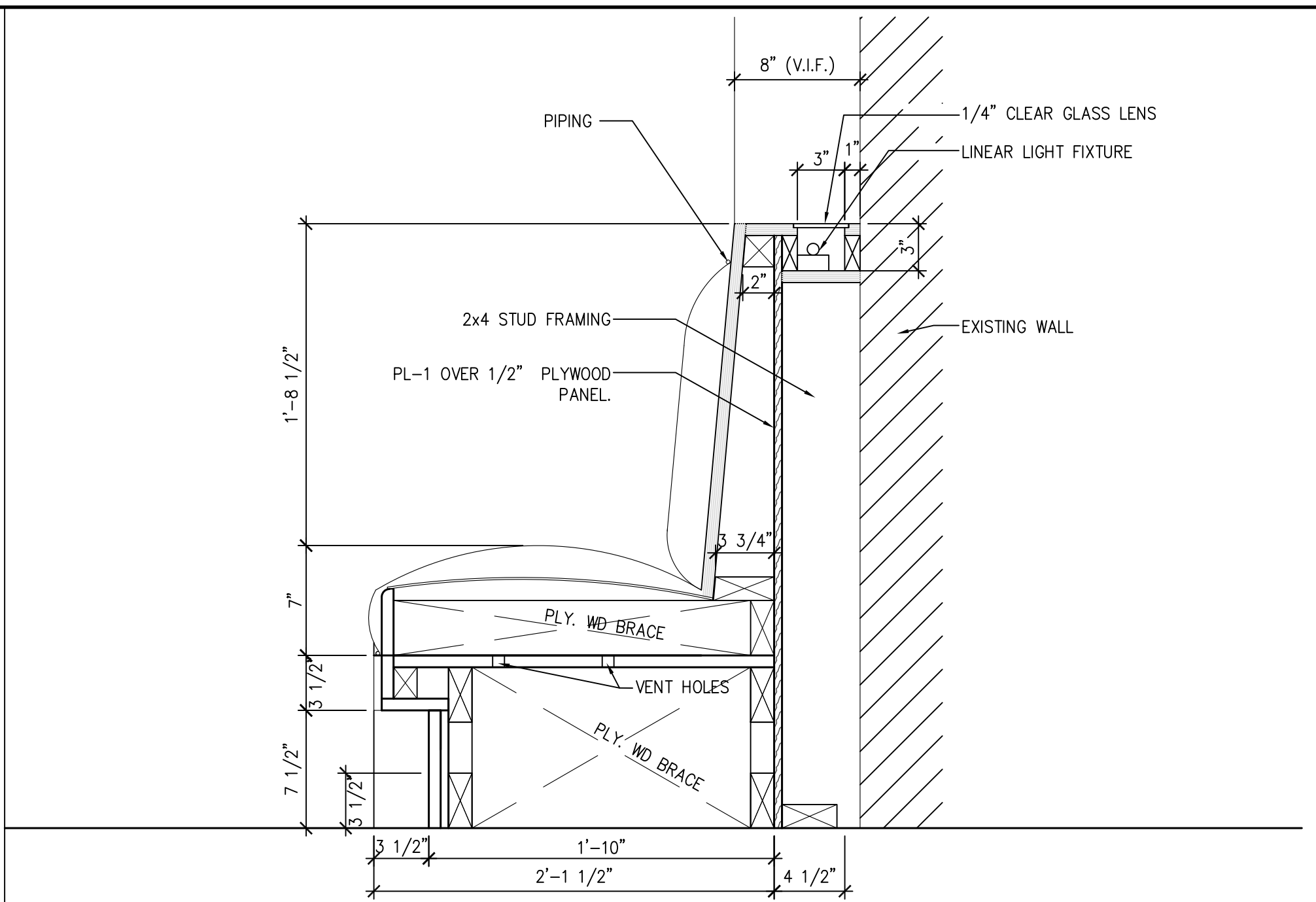
**MILLWORK
DETAILS**

SHEET NUMBER

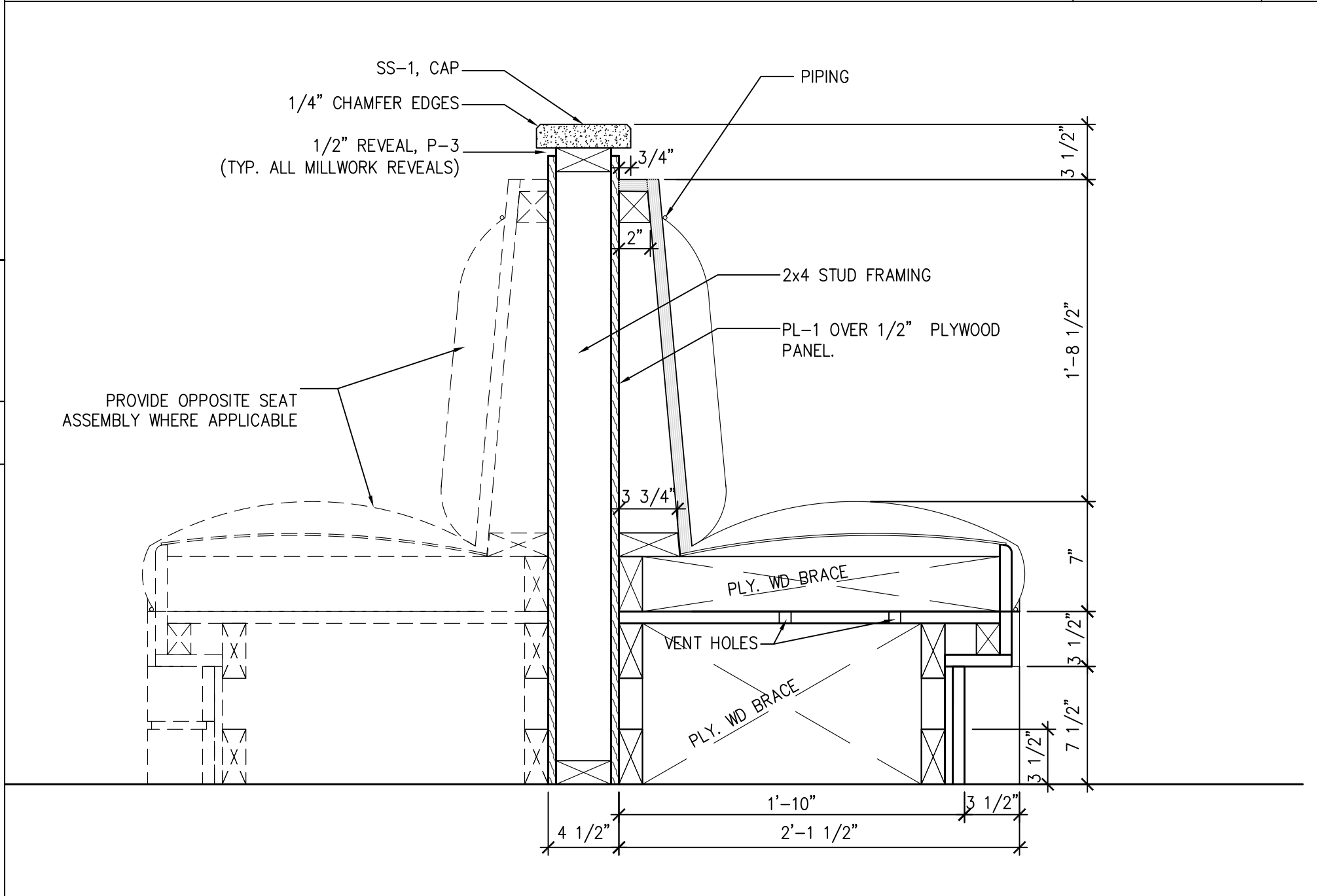
A8.4



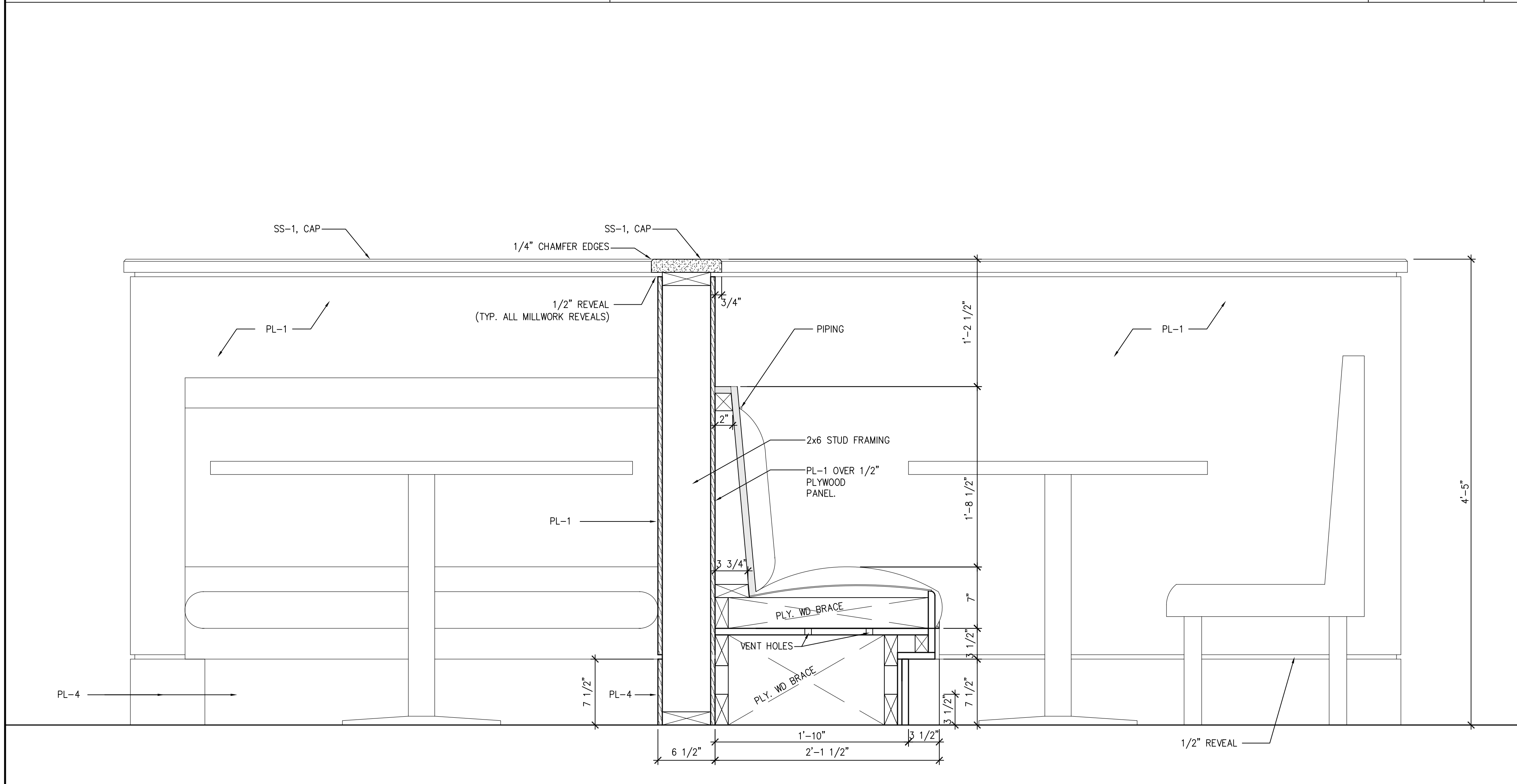
BOOTH 1-1/2" = 1'-0" **6**



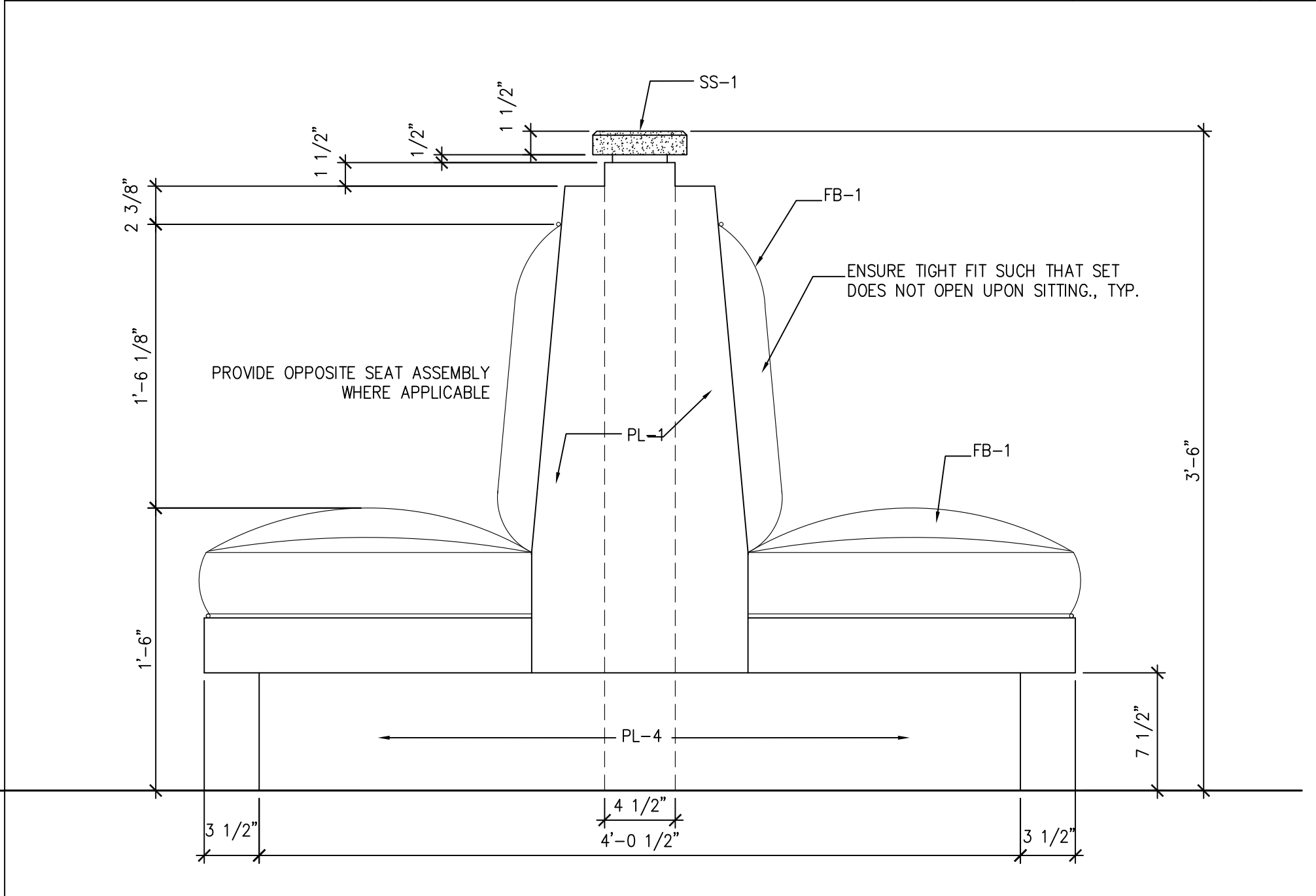
SECTION -BENCH 1-1/2" = 1'-0" **3**



SECTION -BOOTH 1-1/2" = 1'-0" **2**



PIN-WHEEL BOOTH 1-1/2" = 1'-0" **4**



BOOTH ELEVATION 1-1/2" = 1'-0" **1**