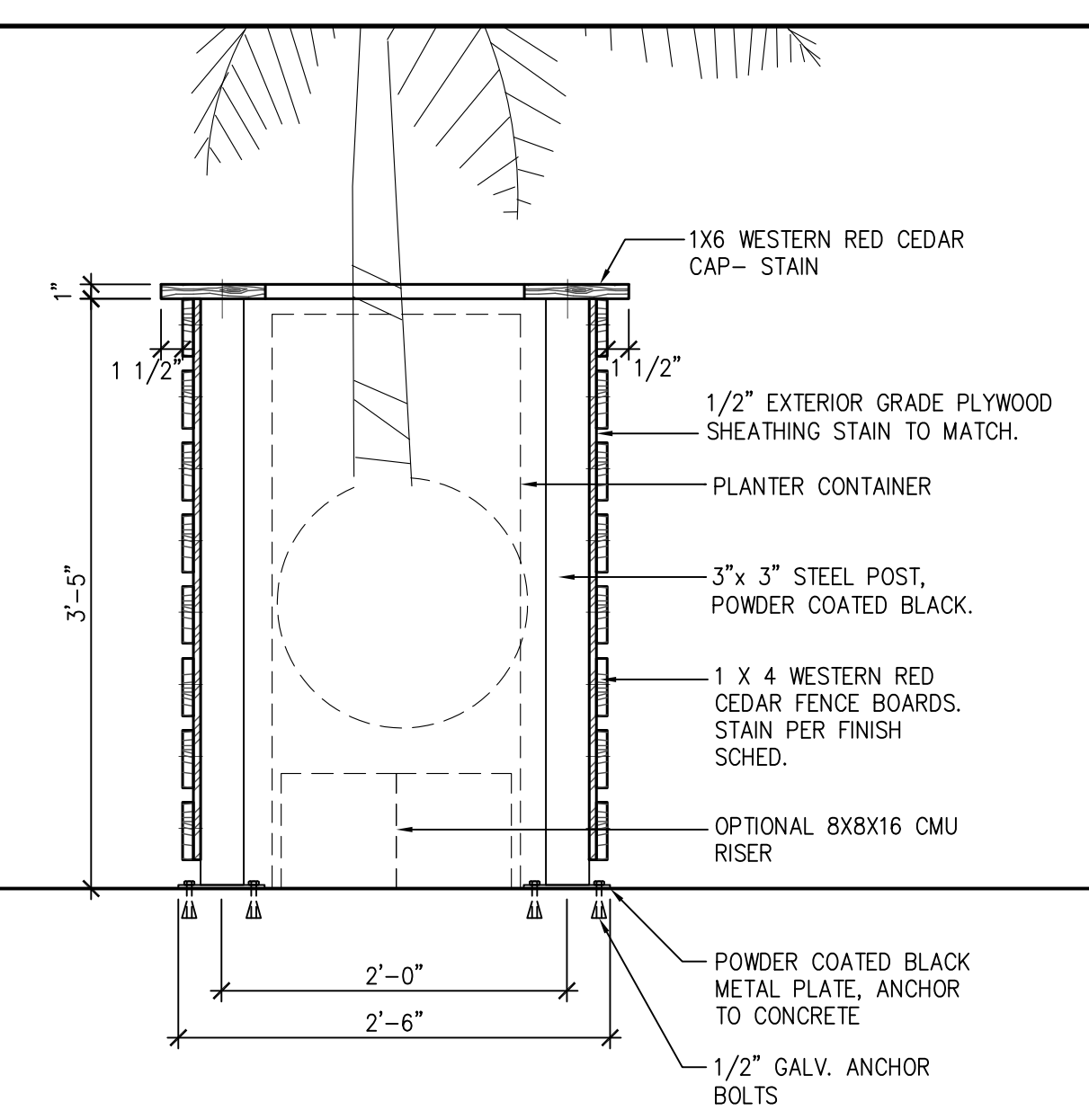
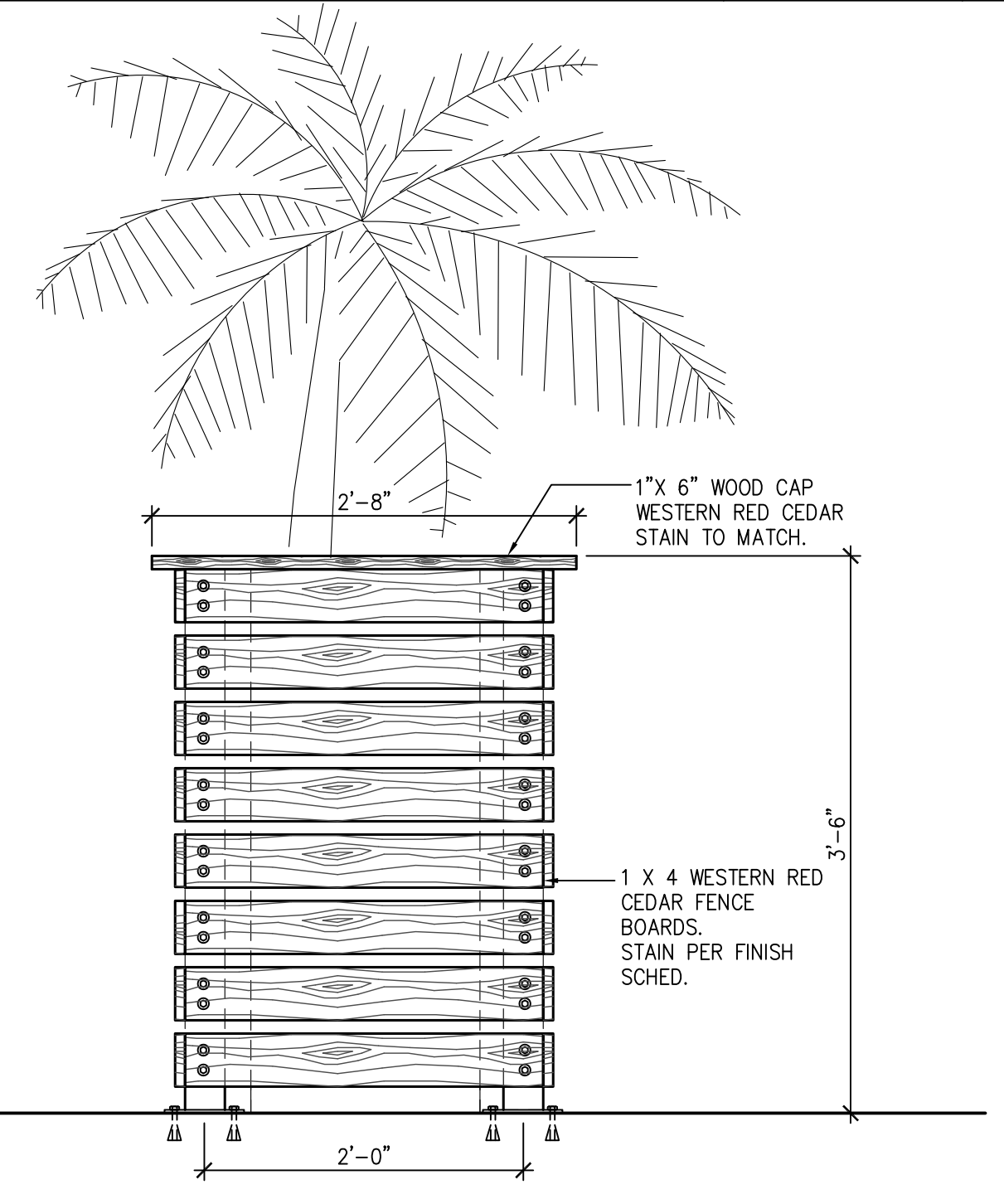




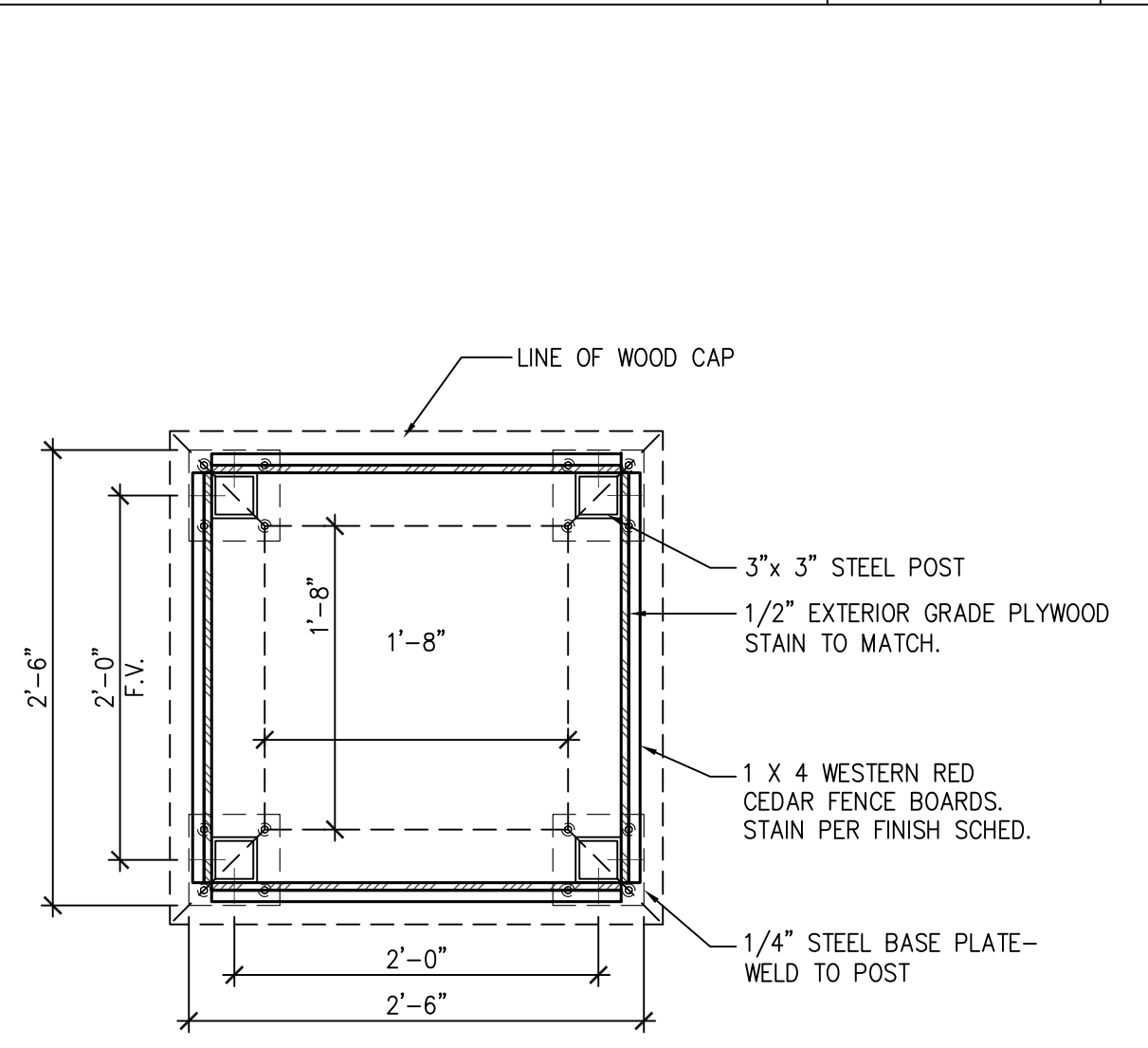
ISSUE  
 02-27-12 LANDLORD REVIEW  
 02-28-12 FOR PERMIT & PRICING



SECTION @ PLANTER 1" = 1'-0" 3



ELEVATION OF PLANTER 1" = 1'-0" 2



PLANTER PLAN 1" = 1'-0" 1

**HARRELL**  
 ARCHITECTS, LP  
 9575 Katy Frwy., #200  
 Houston, Texas 77024  
 tel: 713.722.7071  
 fax: 713.722.7072

CONSULTANTS  
 Holste & Associates, Inc.  
 MEP Engineers

PROJECT NAME  
  
 Cafe Express Restaurant  
 PROJECT ADDRESS  
 1111 Eldridge Parkway #100  
 Houston, Texas 77077

PROJECT NUMBER  
 11052  
 SHEET NAME  
**ENLARGED  
 DETAILS**  
 SHEET NUMBER

**A7.1**