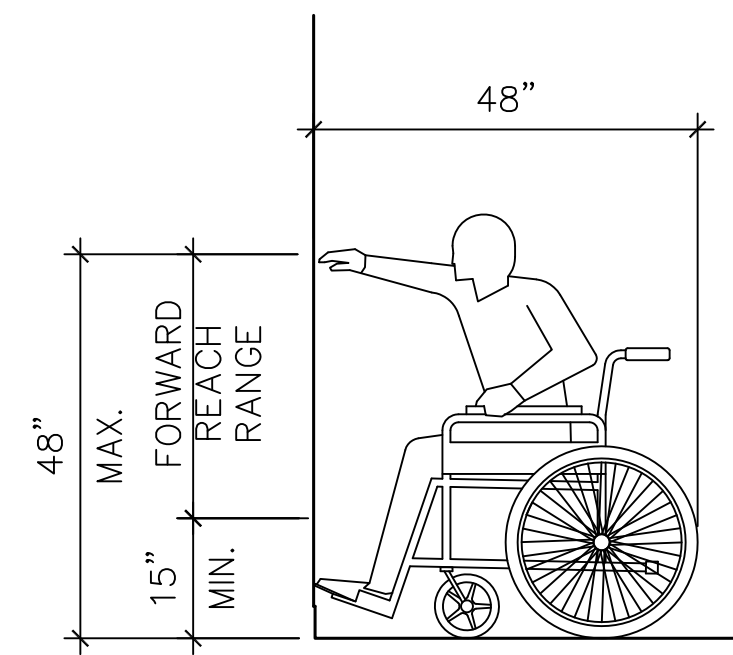
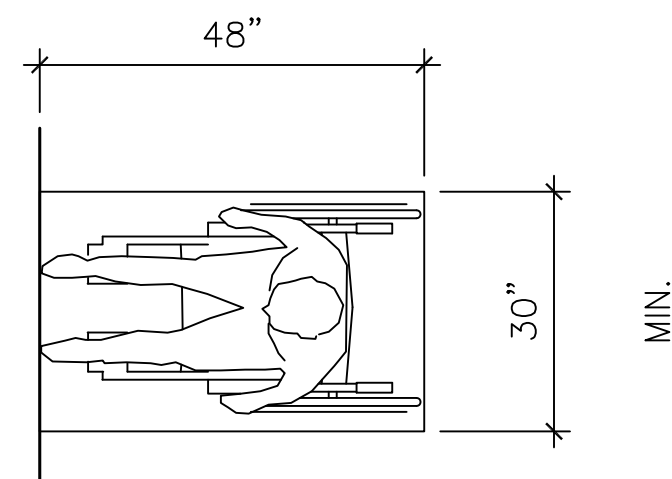




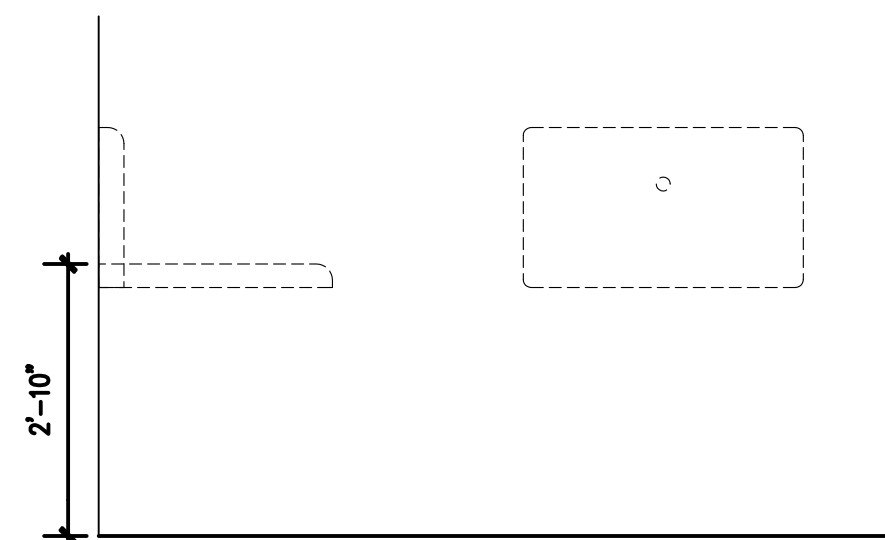
ISSUE  
02-27-12 LANDLORD REVIEW  
02-28-12 FOR PERMIT & PRICING



FORWARD REACH



MIN. CLEAR FLOOR SPACE



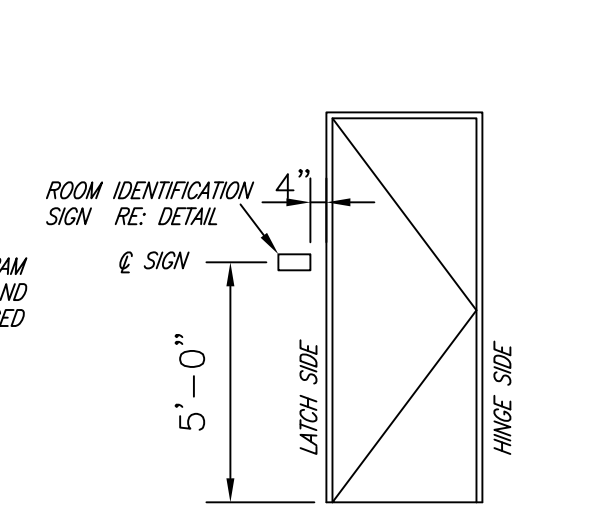
DIAPER CHANGING STATION

GENERAL NOTES:

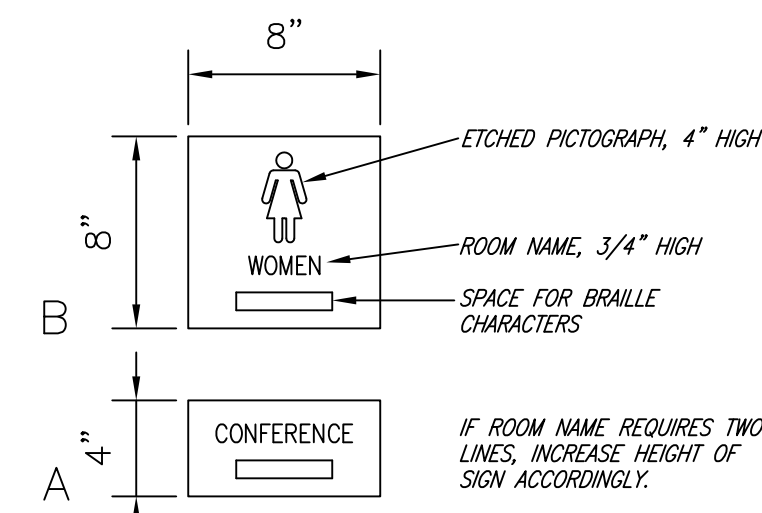
- WHERE THERE IS INSUFFICIENT WALL SPACE ON THE LATCH SIDE OF THE DOOR, MOUNT SIGN ON WALL ADJACENT TO LATCH SIDE, WITH CENTER LINE 5'-0" ABOVE FLOOR.
- SIGNS FOR ALL MEN'S AND WOMEN'S TOILETS ARE THE ONLY ONES WITH PICTOGRAPHS, ALL OTHERS ARE SIMILAR TO THE LOWER EXAMPLE.
- LETTERS AND NUMERALS SHALL BE 3/4" HIGH, UPPER CASE, IN A SANS SERIF TYPEFACE, WITH LETTER WIDTH-TO-HEIGHT RATIO BETWEEN 3.5 AND 1.1. STROKE WIDTH-TO-HEIGHT RATIO SHALL BE BETWEEN 1.5 AND 1.10.
- LETTERS AND NUMERALS SHALL BE RAISED (PICTOGRAM TO BE RAISED OR INCISED) A MINIMUM OF 1/32", AND SHALL BE ACCOMPANIED BY GRADE 2 BRAILLE, PLACED BELOW THE LETTERS.
- CHARACTERS AND BACKGROUNDS OF SIGNS SHALL BE OF A NON-GLARE FINISH, AND SHALL HAVE A SIGNIFICANT LIGHT-DARK CONTRAST WITH EACH OTHER.
- REFER TO SPECIFICATIONS FOR MATERIALS AND PERMISSIBLE MOUNTING METHODS.
- CONSULT LOCAL CODE OFFICIAL FOR VERIFICATION PRIOR TO SIGN FABRICATION.

INTERIOR SIGNAGE BY CONTRACTOR:

1/8" THICK PLASTIC LAMINATE WITH BLACK LETTERING



Mounting Location  
SCALE: 1/4"=1'-0"



Typical Signs  
SCALE: 1/2"=1'-0"

A. DIMENSIONS SHOWN ON THIS SHEET ARE TYPICAL AND SHALL BE USED UNLESS SHOWN OTHERWISE IN THE CONTRACT DOCUMENTS.

B. NOT ALL ITEMS INDICATED ON THIS SHEET ARE USED IN THIS PROJECT. REFER TO THE CONTRACT DOCUMENTS FOR ITEMS THAT ARE USED.

C. ALL CONTROLS, SWITCHES, THERMOSTATS, ETC. SHALL BE MOUNTED NOT TO EXCEED 48" IN HEIGHT FOR FORWARD APPROACH & 54" MAX. FOR SIDE APPROACH.

D. FAUCETS TO OPERATE AT A MAX. FORCE OF 5 LBS.

ROOM IDENTIFICATION SIGNAGE

NTS 7

GENERAL NOTES

3



9575 Katy Freeway, #200  
Houston, Texas 77024  
tel: 713.722.7071  
fax: 713.722.7072

CONSULTANTS

Holste & Associates, Inc.  
MEP Engineers

PROJECT NAME



Cafe Express Restaurant

PROJECT ADDRESS  
1111 Eldridge Parkway #100  
Houston, Texas 77077

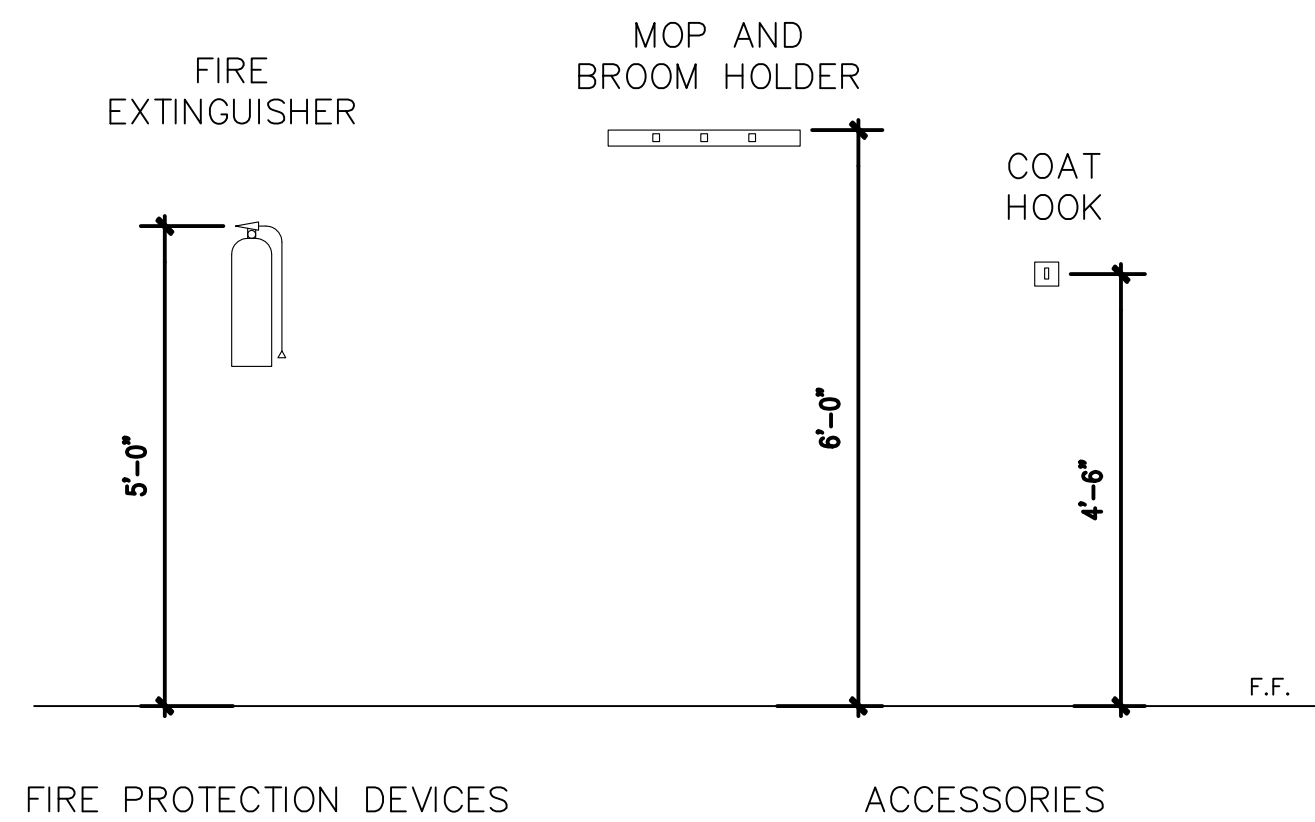
PROJECT NUMBER

11052

SHEET NAME

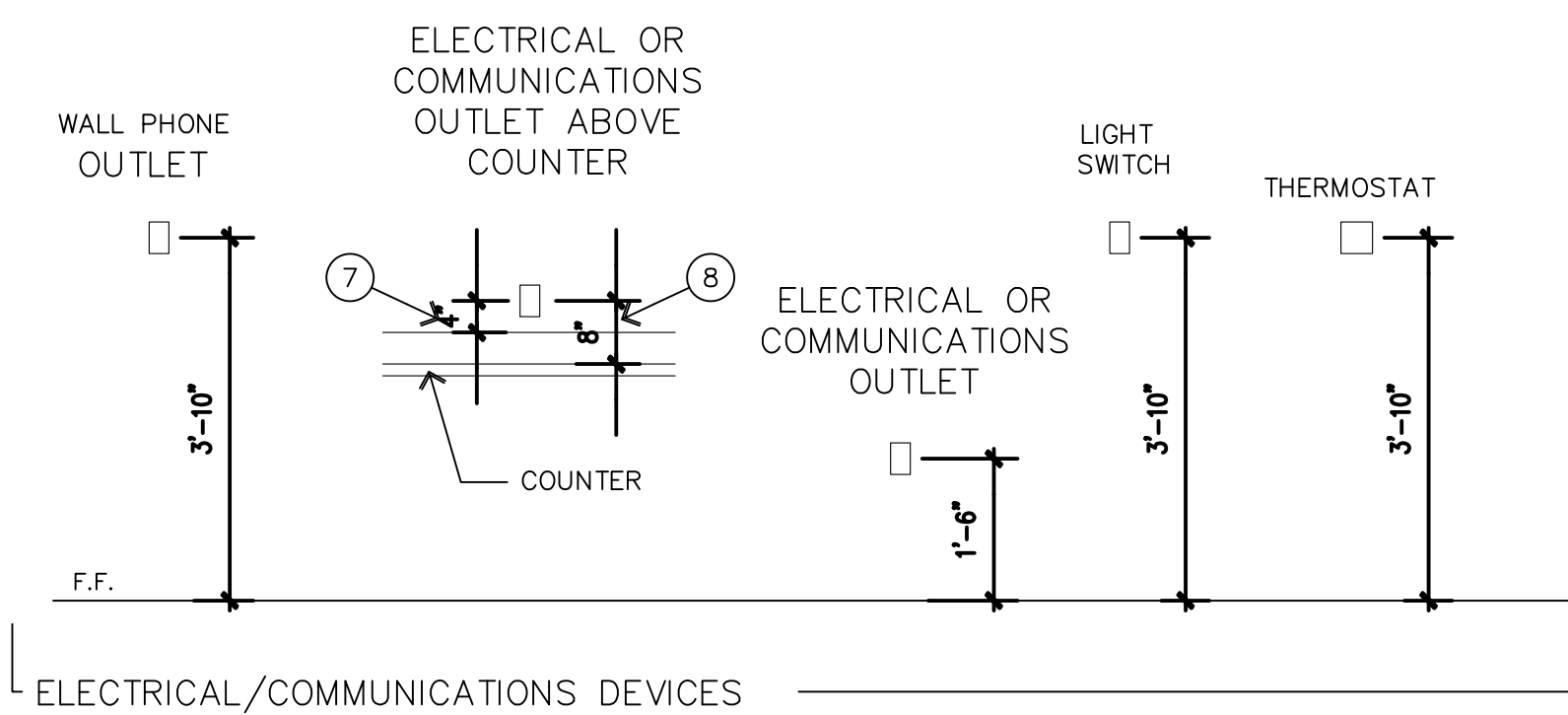
ADA DATA

SHEET NUMBER

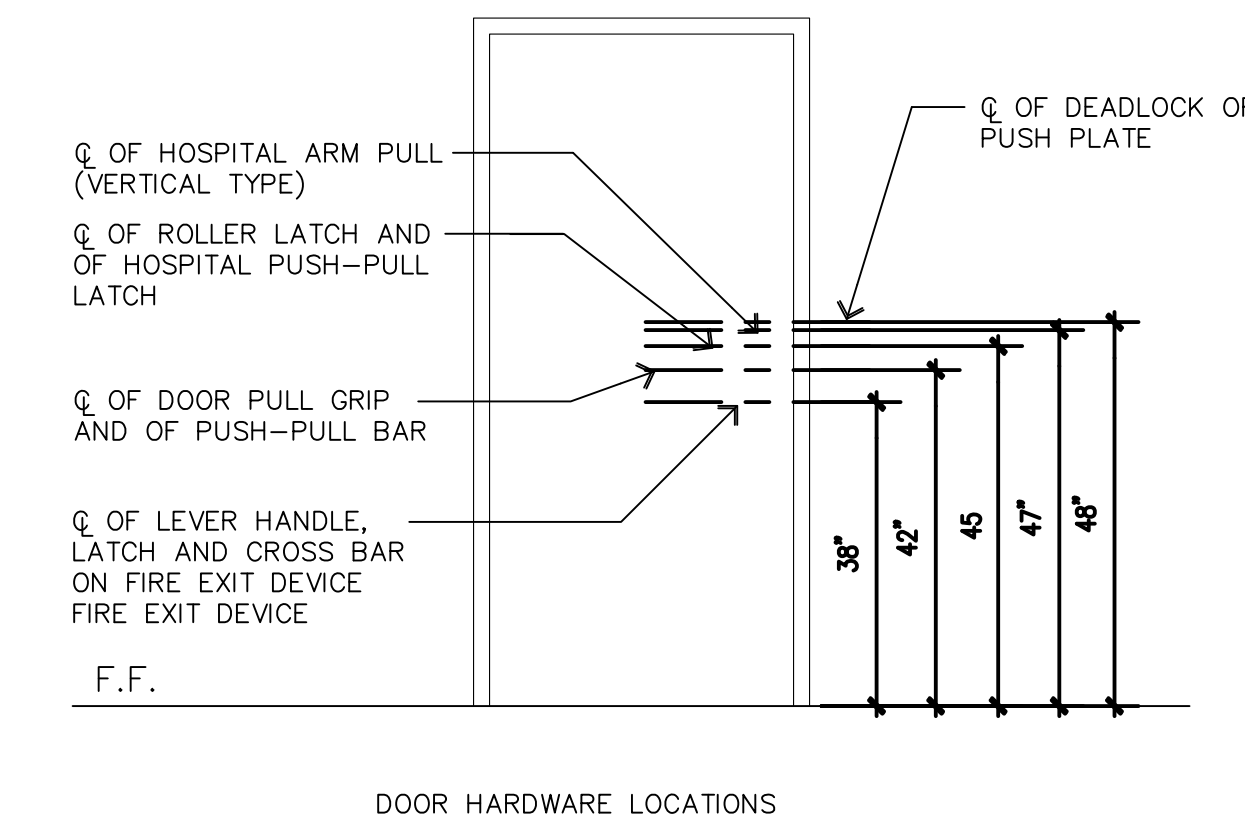


FIRE PROTECTION DEVICES

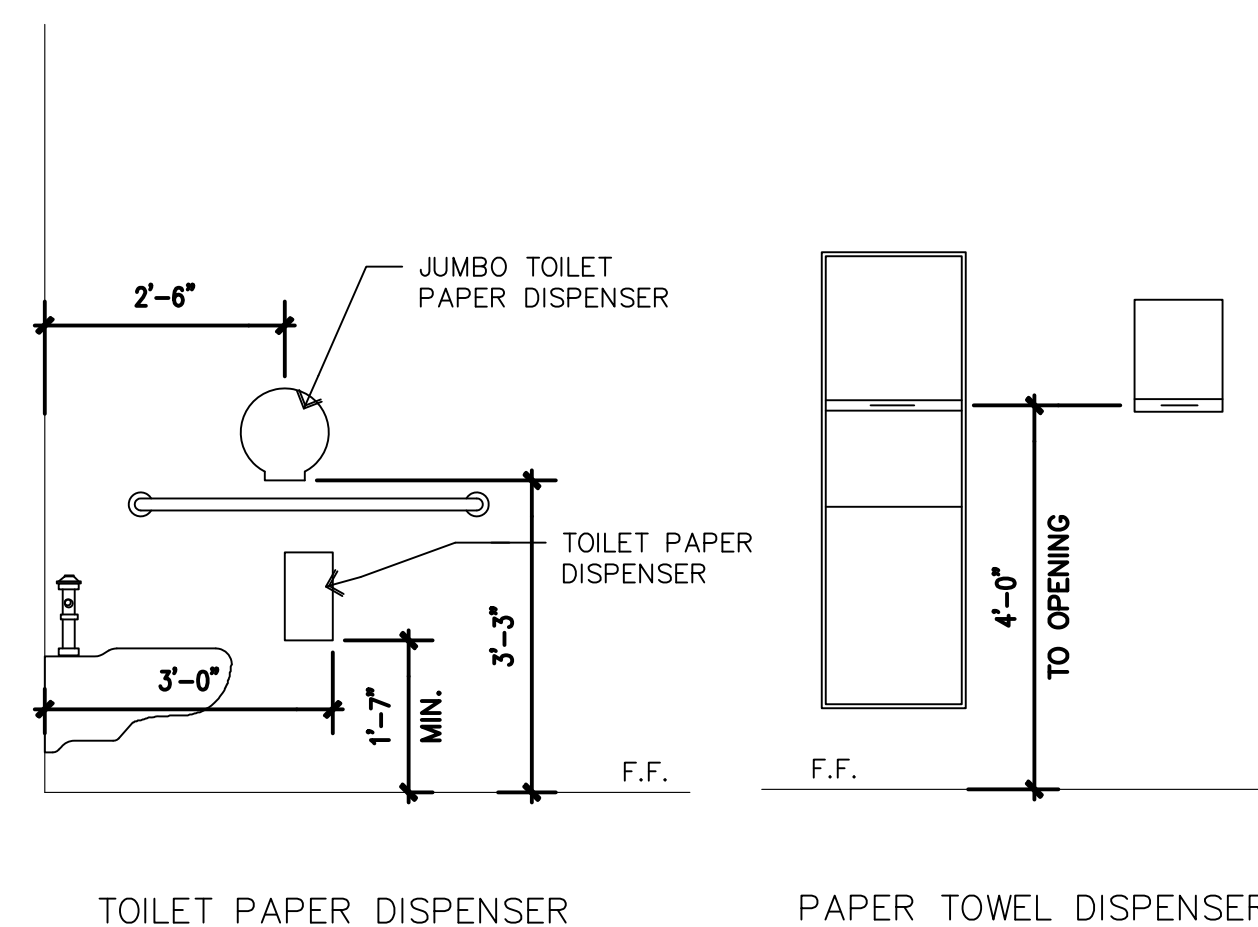
ACCESSORIES



ELECTRICAL/COMMUNICATIONS DEVICES

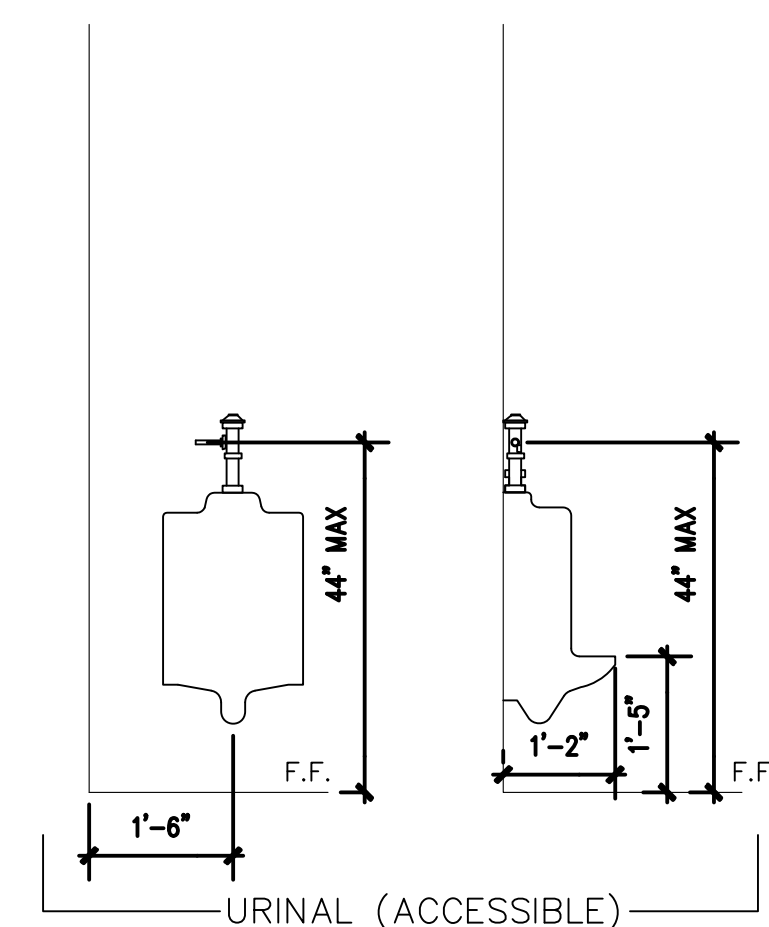


DOOR HARDWARE LOCATIONS

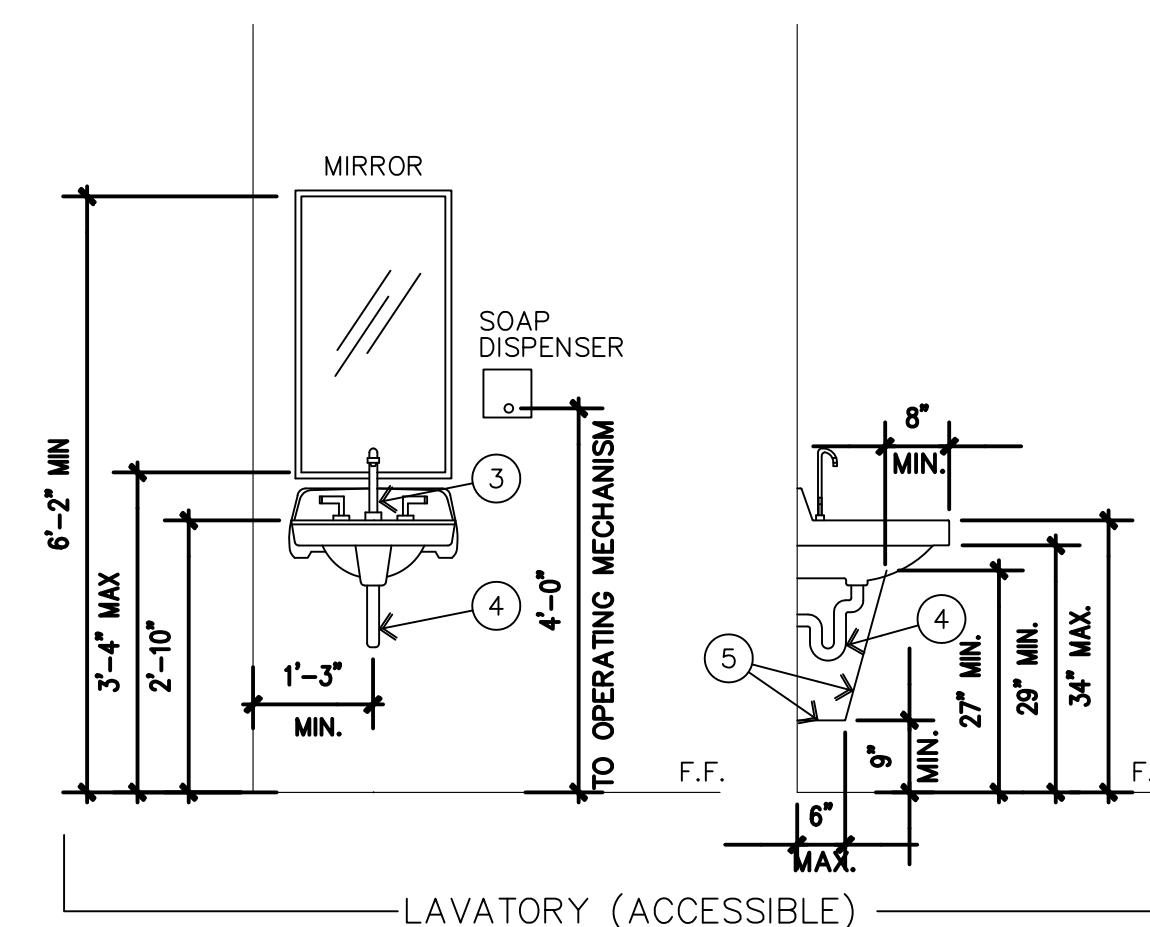


TOILET PAPER DISPENSER

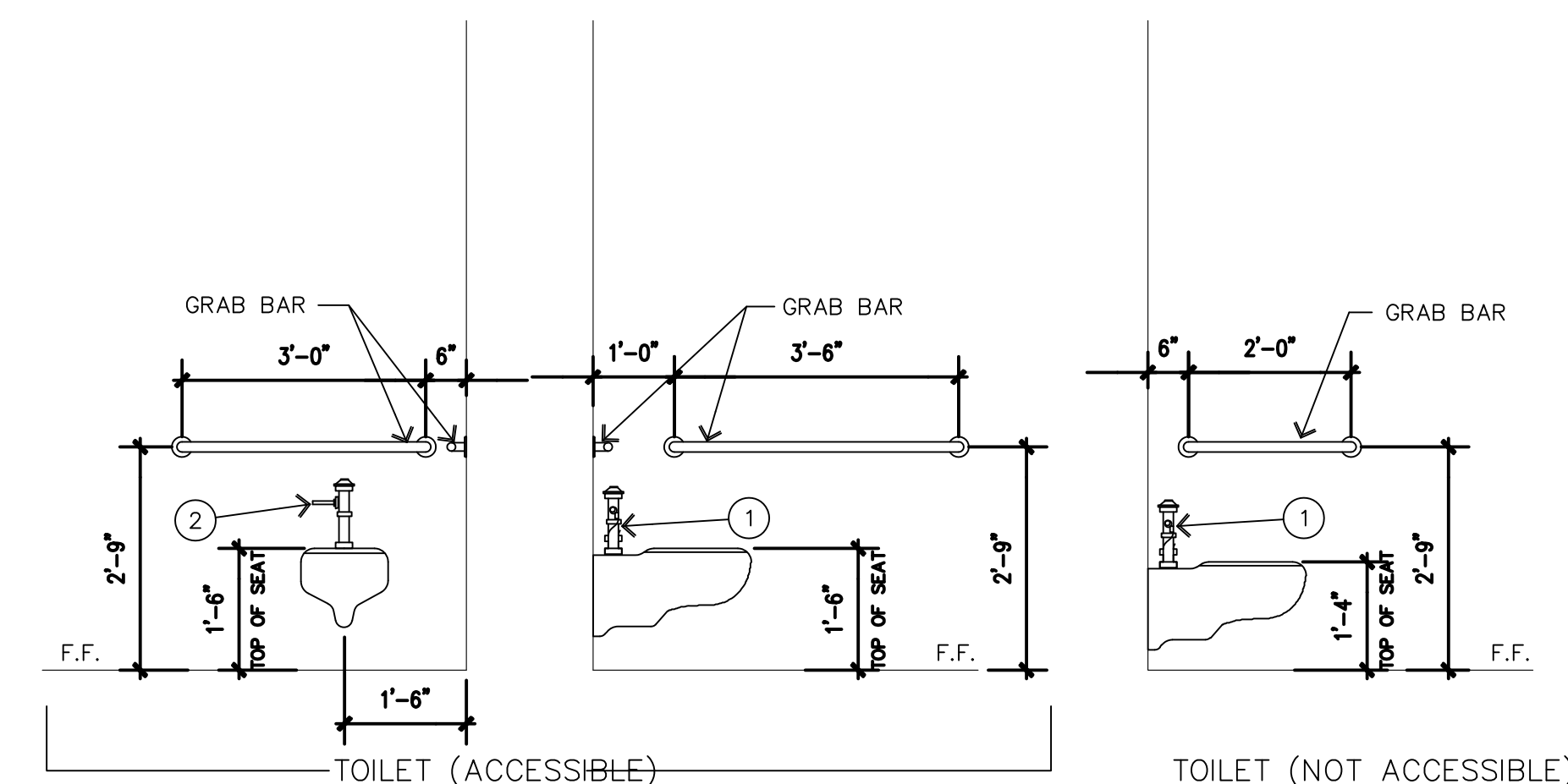
PAPER TOWEL DISPENSER



URINAL (ACCESSIBLE)



LAVATORY (ACCESSIBLE)



TOILET (ACCESSIBLE)

TOILET (NOT ACCESSIBLE)